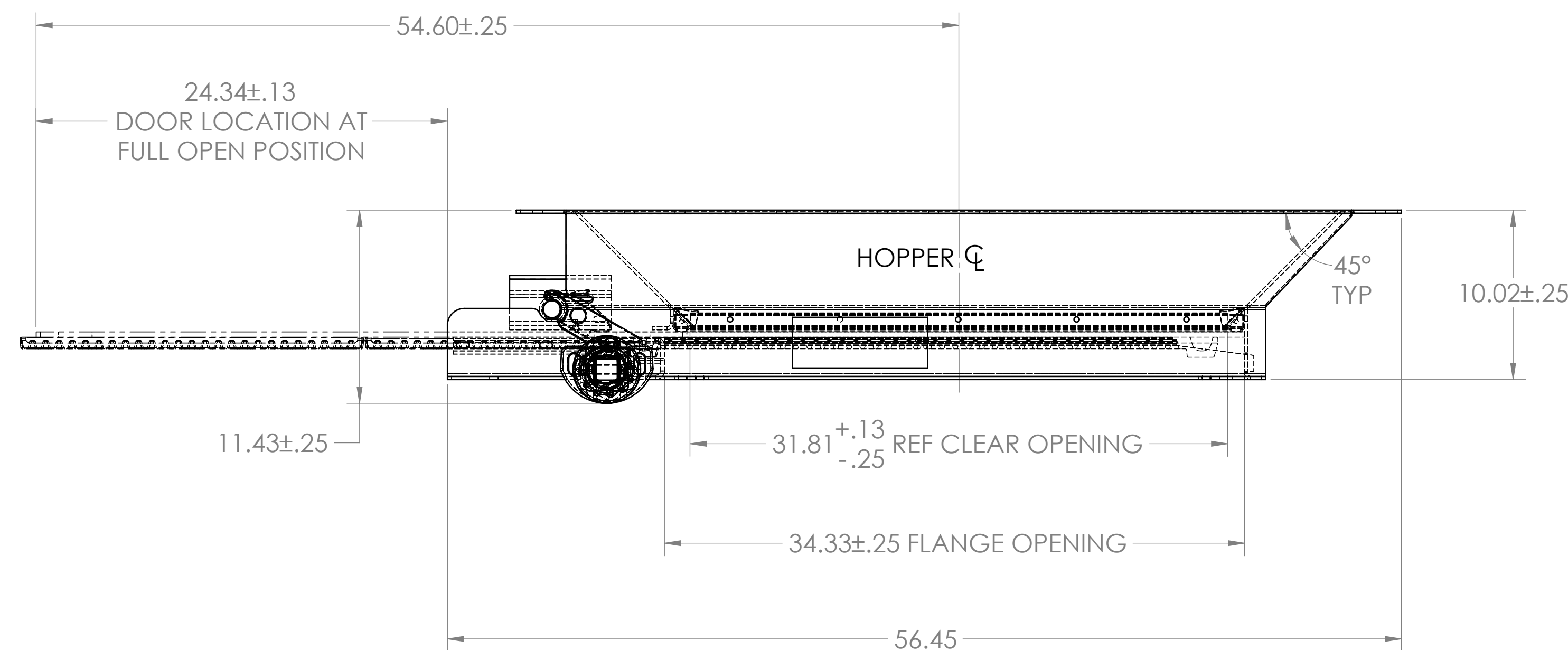
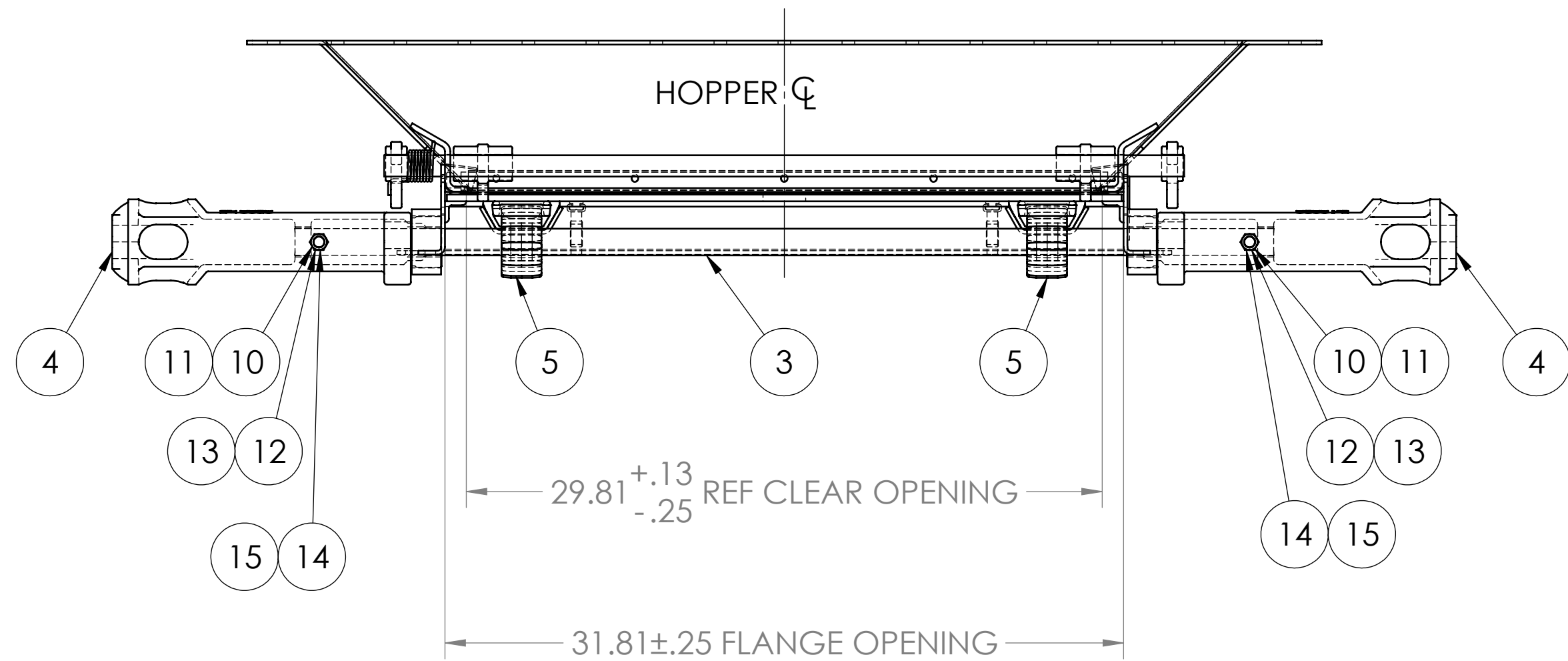


ITEM	MKE10200	MKE10200S W/STAINLESS STEEL DOOR	MKE10200SF W/SS DOOR FULL SEAL FRAME WELD	MKE10200G W/BUMP GUARDS	MKE10200W W/HUCKED HANDLES	MKE10200D W/DEFLECTOR	PART NUMBER	DESCRIPTION	DRAWING NUMBER
1	1	1	1	1	1	-	MKE10058	FRAME ASSEMBLY	M-85-2
	-	-	-	-	-	1	MKE10058D		
2	1	-	-	-	1	1	MKE10157	DOOR ASSEMBLY	M-85-54
	-	1	1	-	-	-	MKE10157SS		
	-	-	-	1	-	-	MKE10157-25		
3	1	1	1	1	1	1	MKE10085	OPERATING SHAFT	25481
4	2	2	2	2	2	2	MKE10080	OPERATING HANDLE WITH ACTIVATION CAM	M-85-12
5	2	2	2	2	2	2	MKE10129	SLIP PINION, SYMMETRIC	M-85-53
6	2	-	-	2	2	2	MKE10066	CARPET SEAL	M-85-21
7	2	-	-	2	2	2	MKE10065	CARPET SEAL	M-85-21
8	-	2	2	-	-	-	MKE10066SS	CARPET SEAL, SS ROD	M-85-21
9	-	2	2	-	-	-	MKE10065SS	CARPET SEAL, SS ROD	M-85-21
10	2	2	-	2	-	2	P30000615	1/2-20 LOCKNUT ZN	P30000615
11	2	2	-	2	-	2	P30000611	1/2-20 X3 HHCS ZN	P30000611
12	-	-	2	-	-	-	P30000649	1/2-20 X3 HHCS SS	P30000649
13	-	-	2	-	-	-	P30000650	1/2-20 LOCKNUT SS	P30000650
14	-	-	-	-	2	-	BF1632	HUCK BOLT	BFC1
15	-	-	-	-	2	-	BC0816	1/2" COLLAR	BFC1
16	-	-	-	2	-	-	P10342001	BUMP GUARD	M-85-81
17	-	-	-	2	-	-	P30000214	1/4-20 X 1-1/2 HHCS	P30000214
18	-	-	-	2	-	-	P30000209	1/4 WASHER	P30000209
19	-	-	-	2	-	-	P30000203	1/4-20 LOCKNUT	P30000203



THIS DRAWING IS THE PROPERTY OF MINER ENTERPRISES INC. WHO CLAIMS PROPRIETARY RIGHTS IN THE MATERIAL DISCLOSED. IT IS ISSUED IN CONFIDENCE FOR ENGINEERING INFORMATION ONLY AND MAY NOT BE COPIED OR USED FOR MANUFACTURE OF ANYTHING SHOWN WITHOUT SPECIFIC WRITTEN PERMISSION FROM MINER ENTERPRISES INC. COPYRIGHT MINER ENTERPRISES, INC. 2004.

DIMENSIONAL TOLERANCES
ALL DIMENSIONS IN INCHES UNLESS OTHERWISE SPECIFIED
UNLESS OTHERWISE SPECIFIED: TOLERANCES ARE NOT ACCUMULATIVE
2 PL. DEC.: ±0.06
3 PL. DEC.: ±0.031
MILLIMETERS: MM 1 PL. DEC.: ±

MINER
ENTERPRISES INC.
W. H. MINER DIVISION
1200 EAST STATE STREET GENEVA, IL 60134

30 X 30 AutoLOK II
GATE ARRANGEMENT

PART SEE BOM MATERIAL SEE BOM
WEIGHT 401.98 BOM

DEVICE 30 x 30 AutoLOK II SCALE 1:6
REFERENCE

BY JJD DATE 11/19/1997 BY RSF SCH
PART / CAT NO. DRAWING NO. REV. F

E SEE BOM M-85-59