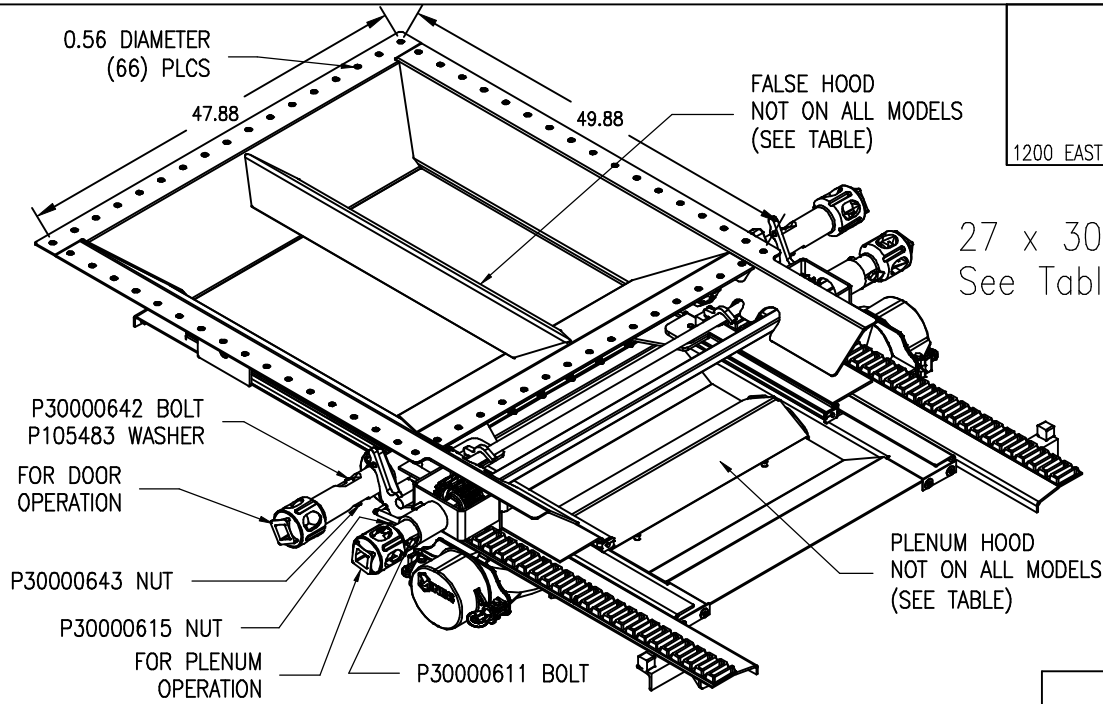
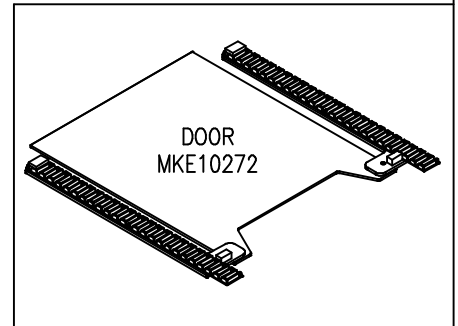




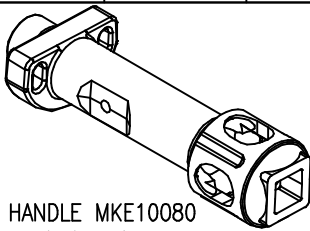
1200 EAST STATE STREET GENEVA, IL 60134



27 x 30 SaniLOK
See Table For P/N

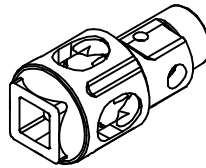


GATE MKE NO.	FRAME MAT'L	PLENUM PART NO.	PLENUM MAT'L	FALSE HOOD	PLENUM HOOD	ARRANGEMENT DRAWING
MKE10405	STN. STL.	MKE10408	STN. STL.	N	N	M-153-10
MKE10409	STN. STL.	MKE10408	STN. STL.	Y	N	M-153-33
MKE10410	STN. STL.	MKE10407	STN. STL.	N	Y	M-153-10
MKE10411	STN. STL.	MKE10407	STN. STL.	Y	Y	M-153-33



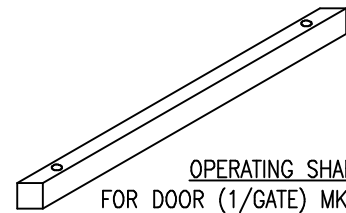
OPERATING HANDLE MKE10080
FOR DOOR (2/GATE)

USE P30000642 1/2-13 X 2-1/2 BHB,
P105483 WASHER, P30000643 JAM NUT
SEE SKETCH FOR INSTALLATION INFO

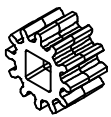


OPERATING HANDLE MKE8261 FOR PLENUM
(2/GATE)

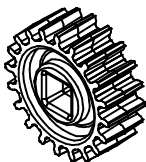
USE P30000611 1/2-20 X 3 BOLT,
P30000615 1/2-20 STOP NUT



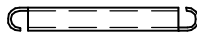
OPERATING SHAFT
FOR DOOR (1/GATE) MKE10216
- 62-1/4" LONG
FOR PLENUM (1/GATE)
MKE10217 - 65-11/16" LONG



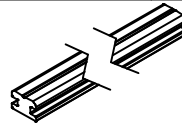
PINION FOR DOOR
MKE7029-1
(2/GATE)



PINION FOR PLENUM
MKE10208
(2/GATE)



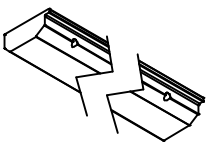
LOCK SPRING
P30005014
(2/GATE)



DOOR SUPPORT RUNNER
P10267014
(1/SaniLOK)
29-3/16" LONG

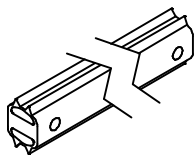


SANITARY RUNNER
MKE10426
(2/GATE)
58-1/2" LONG



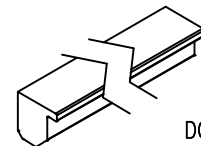
BOTTOM RUNNER MKE 10215
(1/GATE)
31-1/2" LONG, (8) HOLES

HARDWARE REQUIRED
FOR BOTTOM RUNNER
AND REAR SEAL
(8 EACH):
P10209003 SLEEVE
P30000211 SS BOLT
P30000203 LOCK NUT
P90000209 WASHER



REAR SEAL (1/GATE) - MKE10248-1,
9 HOLES, 31-21/32" LONG
BOTTOM SEAL (1/GATE) - MKE10248-2,
8 HOLES, 31-5/8" LONG

REAR SEAL - HARDWARE
REQUIRED (9 EACH):
P10209003 SLEEVE
P30000228 BOLT
P30000203 LOCK NUT
P90000209 WASHER



DOOR RUNNER

PART NUMBER	DESC.	LENGTH	QTY/GATE	QTY P30000151 SCREW/RUNNER
MKE10169-7	SIDE	30-1/32"	2	1
MKE10169-5	FRONT	29-1/2"	1	3