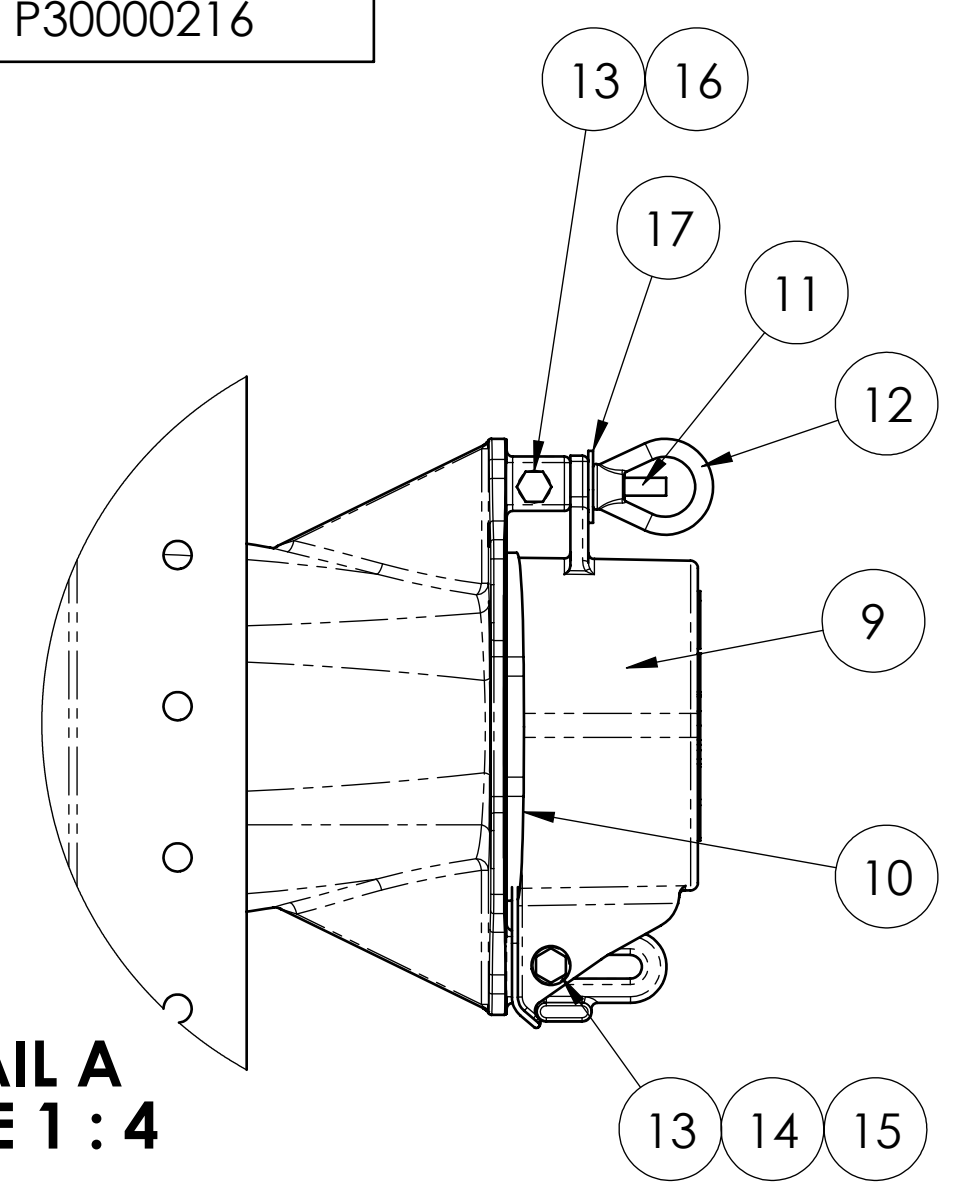
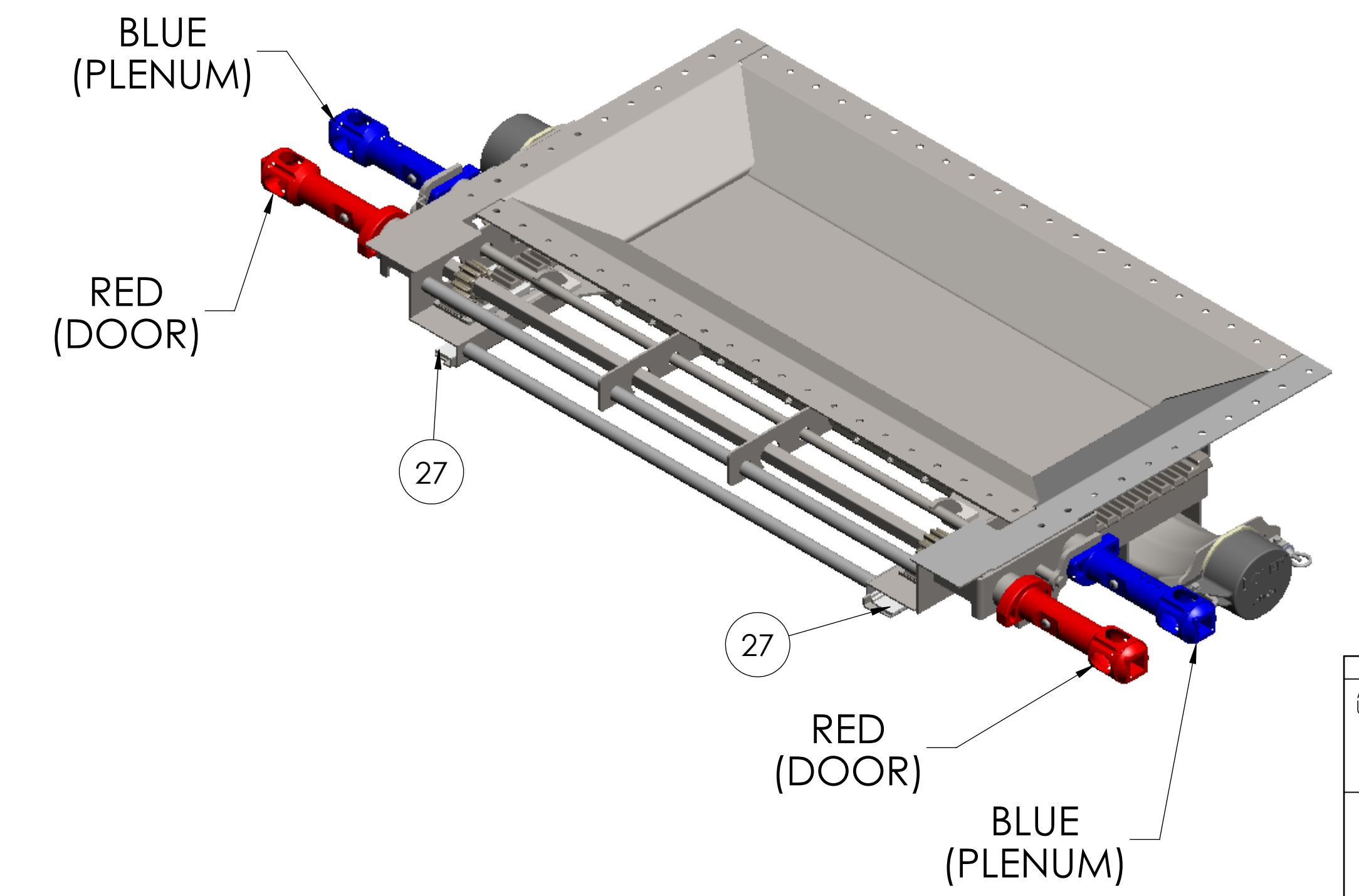
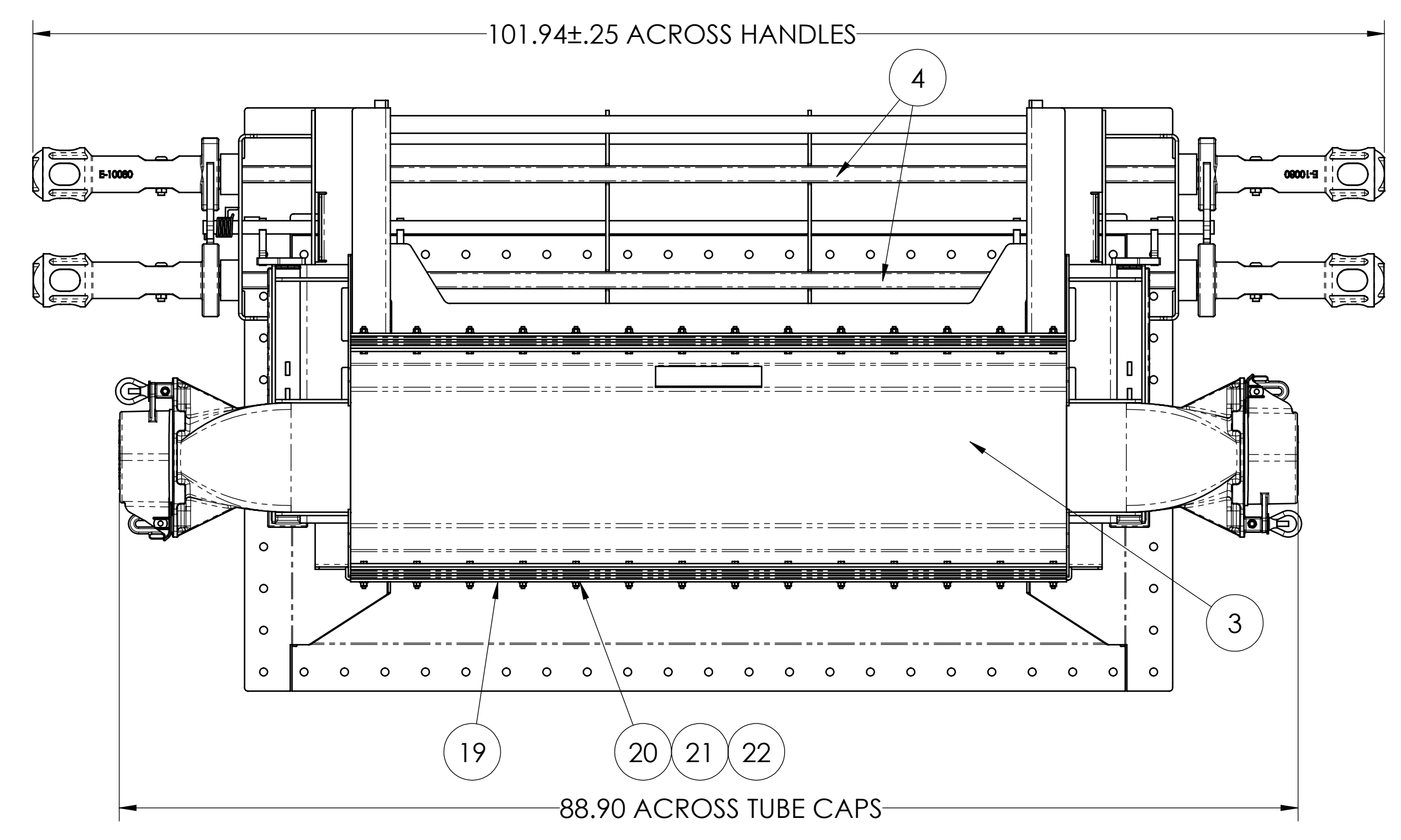
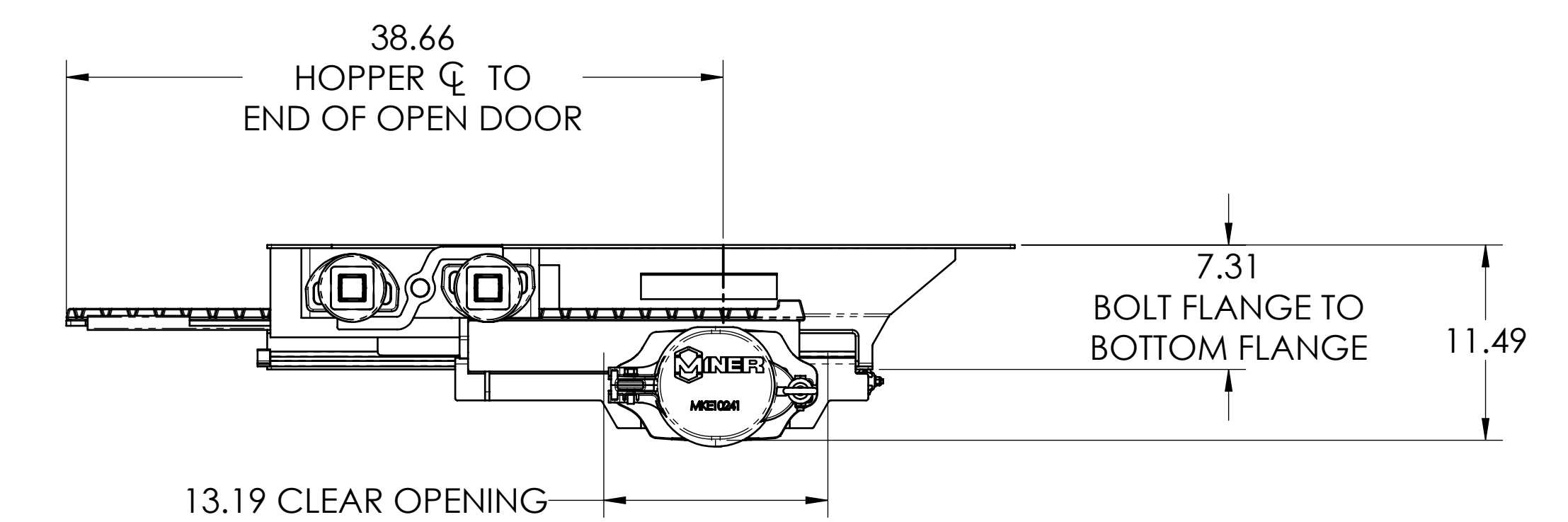
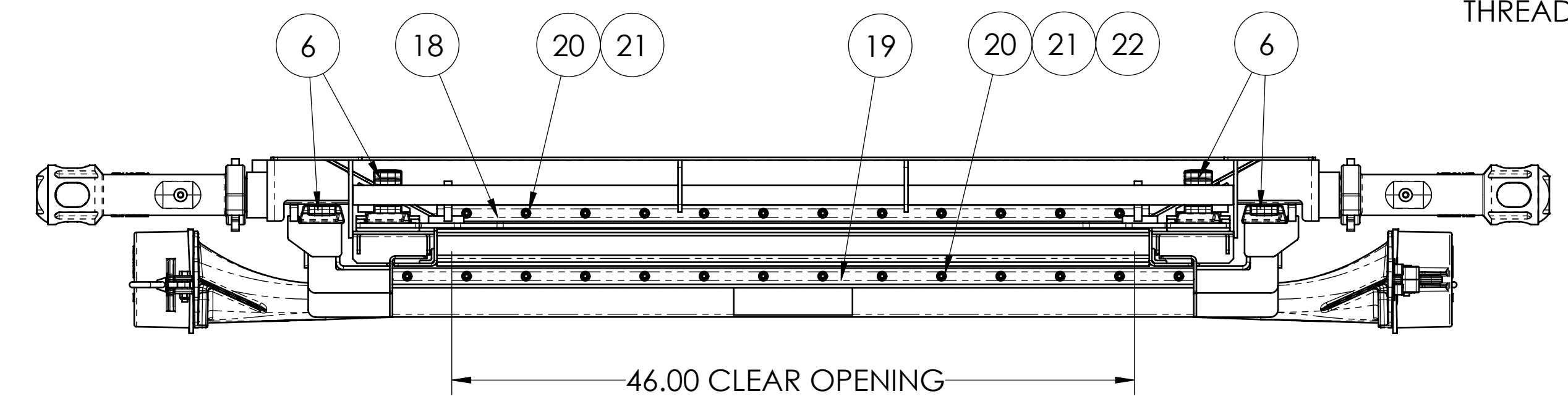
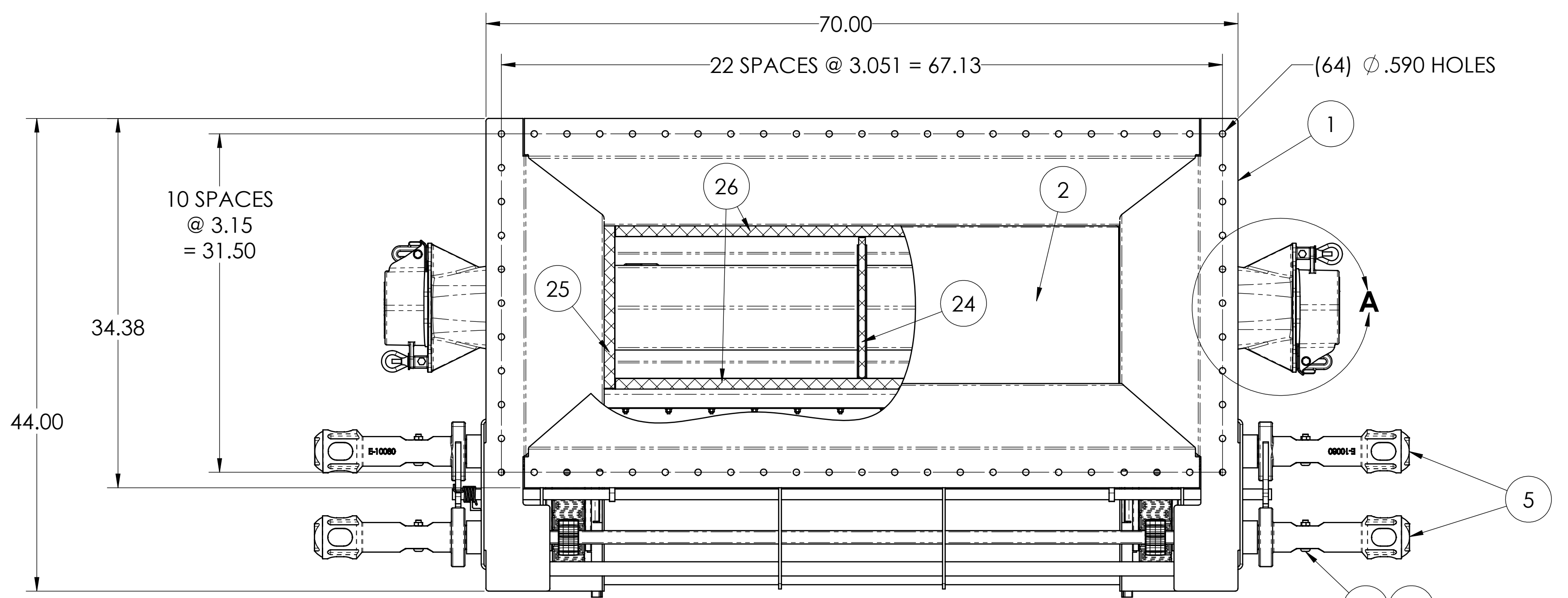


ITEM	QTY	PART NUMBER	DESCRIPTION	DRAWING NUMBER
1	1	MKE50001	FRAME ASSEMBLY	MKE50001
2	1	MKE50026	DOOR WELDMENT ASSEMBLY	MKE50026
3	1	MKE50029	PLENUM CHAMBER WELDMENT	MKE50029
4	2	MKE10414	OPERATING SHAFT	25481
5	4	MKE10080	OPERATING HANDLE WITH ACTIVATION CAM	M-85-12
6	4	MKE10129N	SLIP PINION, SYMMETRIC, Ni PLATED	MKE10129N
7	4	P30000642	1/2-13 X 2 1/2 BHB	P30000642
8	4	P30000643	1/2 - 13 JAM NUT	P30000643
9	2	MKE10241	PLASTIC CAP, PIVOT, 6-1/2 O.D.	M-133-75
10	2	MKE10242	GASKET	M-133-76
11	2	P30000431	SWING BOLT	M-140-23
12	2	P30000436	EYE NUT, 3/8-16 UNC	M-140-45
13	4	P30000437	3/8-16X1-3/4 HHCS ZN	P30000437
14	2	P30000434	3/8-16 WELD NUT	P30000434
15	2	P30000410	3/8 USS WSHR ZN	P30000410
16	2	P30000412	3/8-16 NYLOK NUT ZN	P30000412
17	2	P30000435	3/8 X 1-1/2 WSHR ZN	P30000435
18	1	MKE10248-7	SEAL, FRAME	M-140-28
19	2	MKE10248-8	SEAL, PLENUM	M-140-28
20	40	P30000209	1/4 WASHER	P30000209
21	42	P30000203	1/4-20 LOCKNUT	P30000203
22	28	P30000228	1/4-20 X 1 7/8 HHCS ZN	P30000228
23	6	P30000151	#12 HHSMS ZN PLT	P30000151
24	1	MKE50009	DOOR SUPPORT RUNNER	M-85-39
25	2	MKE10169-9	DOOR SUPPORT RUNNER (SIDE)	M-133-15
26	2	MKE10169-10	DOOR SUPPORT RUNNER (FRONT)	M-133-15
27	2	P10597017	SANITARY RUNNER	M-140-17
28	4	MKE50044	DOOR STOP, SS	MKE50044
29	2	P30000211	1/4-20 X 4 1/2 HHCS SS	P30000211
30	2	P30000216	1/4 WASHER, SS	P30000216



DETAIL A
SCALE 1 : 4

DEFORM ALL THREAD ENDS AFTER ASSEMBLY

A MOUNTING GASKET WITH THE FOLLOWING PROPERTIES IS RECOMMENDED:

- FDA APPROVED MATERIALS
- DUAL DUROMETER
- HOLLOW BULB
- FOR UP TO 70 FT-LBS OF FASTENER TORQUE
- EXAMPLE: CENTRAL SALES AND SERVICE 44048

SHIPPED LOOSE:
P10598083, QTY OF (1), DECAL FOR OPERATING SANILOK
DRAWING NUMBER M-175-83

THIS DRAWING IS THE PROPERTY OF
MINER ENTERPRISES INC. WHO CLAIMS
PROPRIETARY RIGHTS IN THE MATERIAL
DISCLOSED. IT IS ISSUED IN CONFIDENCE
FOR ENGINEERING INFORMATION ONLY
AND MAY NOT BE COPIED OR USED FOR
MANUFACTURE OF ANYTHING SHOWN
WITHOUT SPECIFIC WRITTEN PERMISSION
FROM MINER ENTERPRISES INC.
COPYRIGHT MINER ENTERPRISES, INC. 2004.

DIMENSIONAL TOLERANCES	
ALL DIMENSIONS IN INCHES UNLESS OTHERWISE SPECIFIED	TOLERANCES ARE NOT ACCUMULATIVE
UNLESS OTHERWISE SPECIFIED:	
2 PL. DEC.: ±0.06	
3 PL. DEC.: ±0.031	
ANGLES: ±1	
MILLIMETERS:	MM 1 PL. DEC.: ±

MINER ENTERPRISES INC.	
W. H. MINER DIVISION	
1200 EAST STATE STREET	GENEVA, IL 60134
13 X 42 SaniLOK GATE ARRANGEMENT	
PN: MKE50000	MATERIAL: SEE BOM
WEIGHT: 768.60	
DEVICE: 13 X 42 SaniLOK	
REFERENCE:	SCALE: 1:8
MODELED BY: NBE	DATE: 1/2/20/2016
DETAILED BY: RMVC	APPROVED BY: NBE
DRAWING NO. MKE50000	REV. C