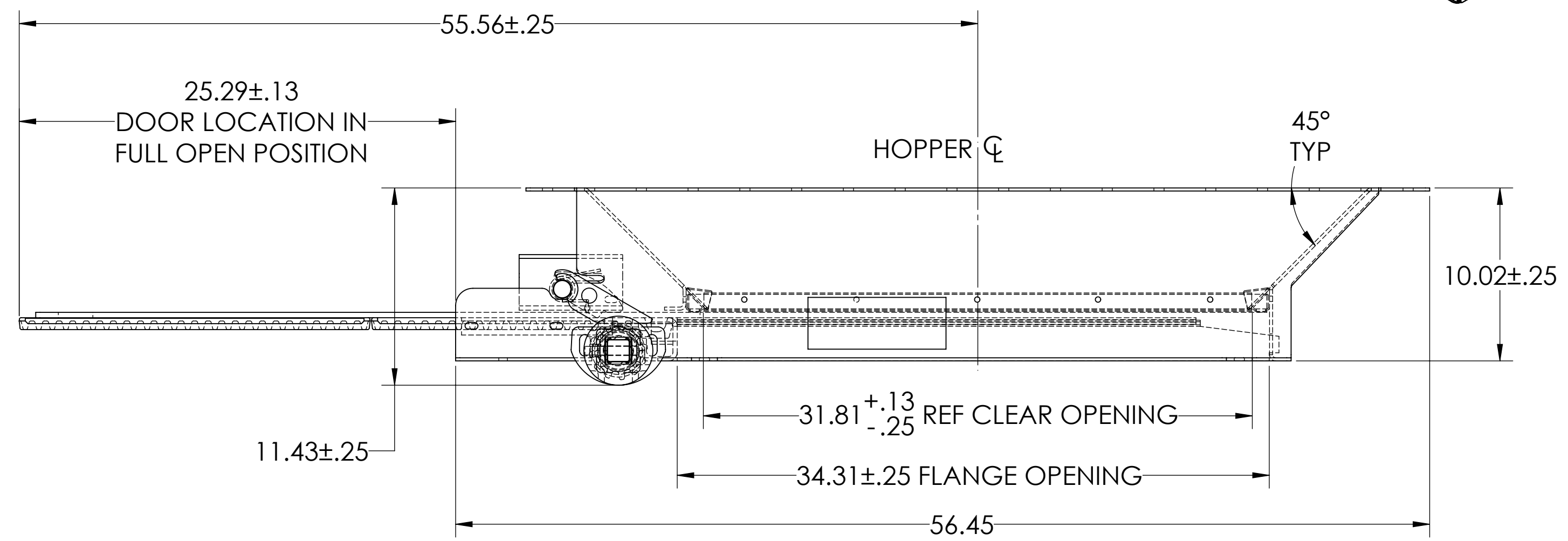
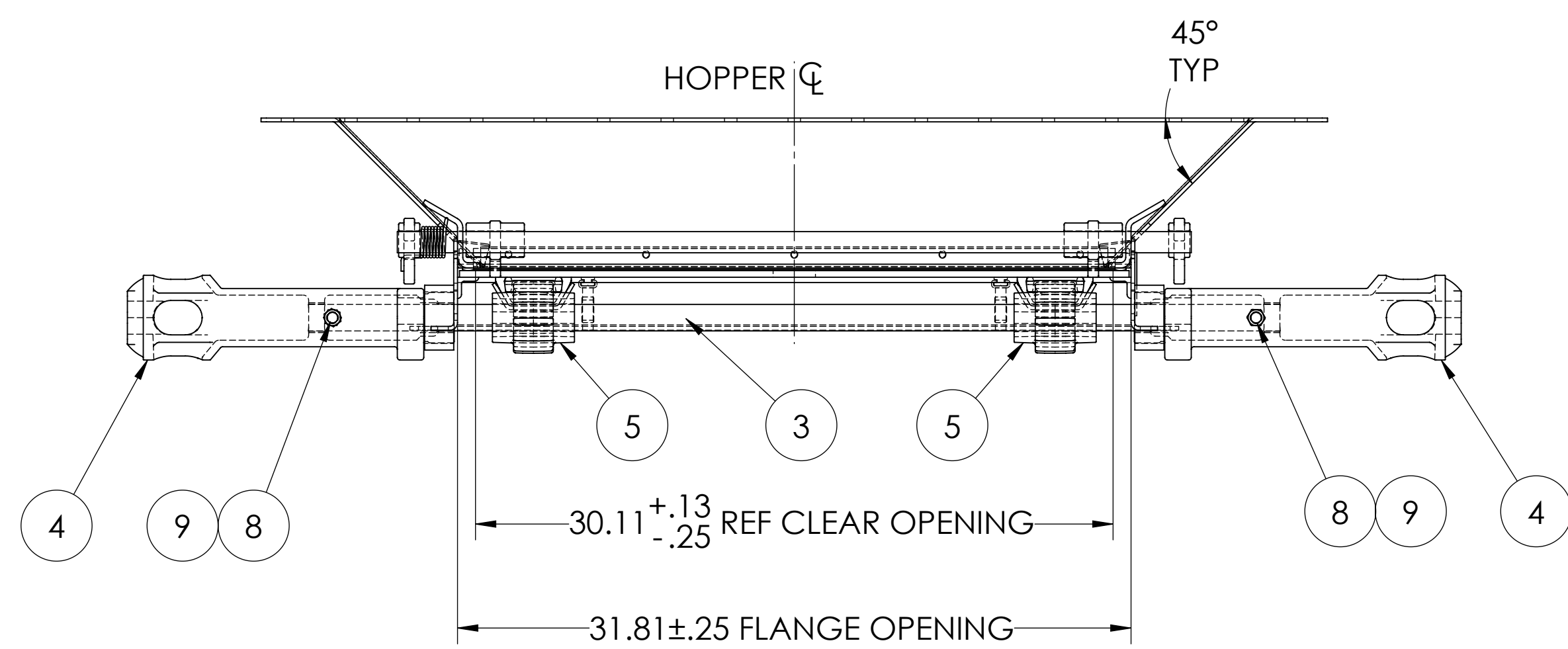
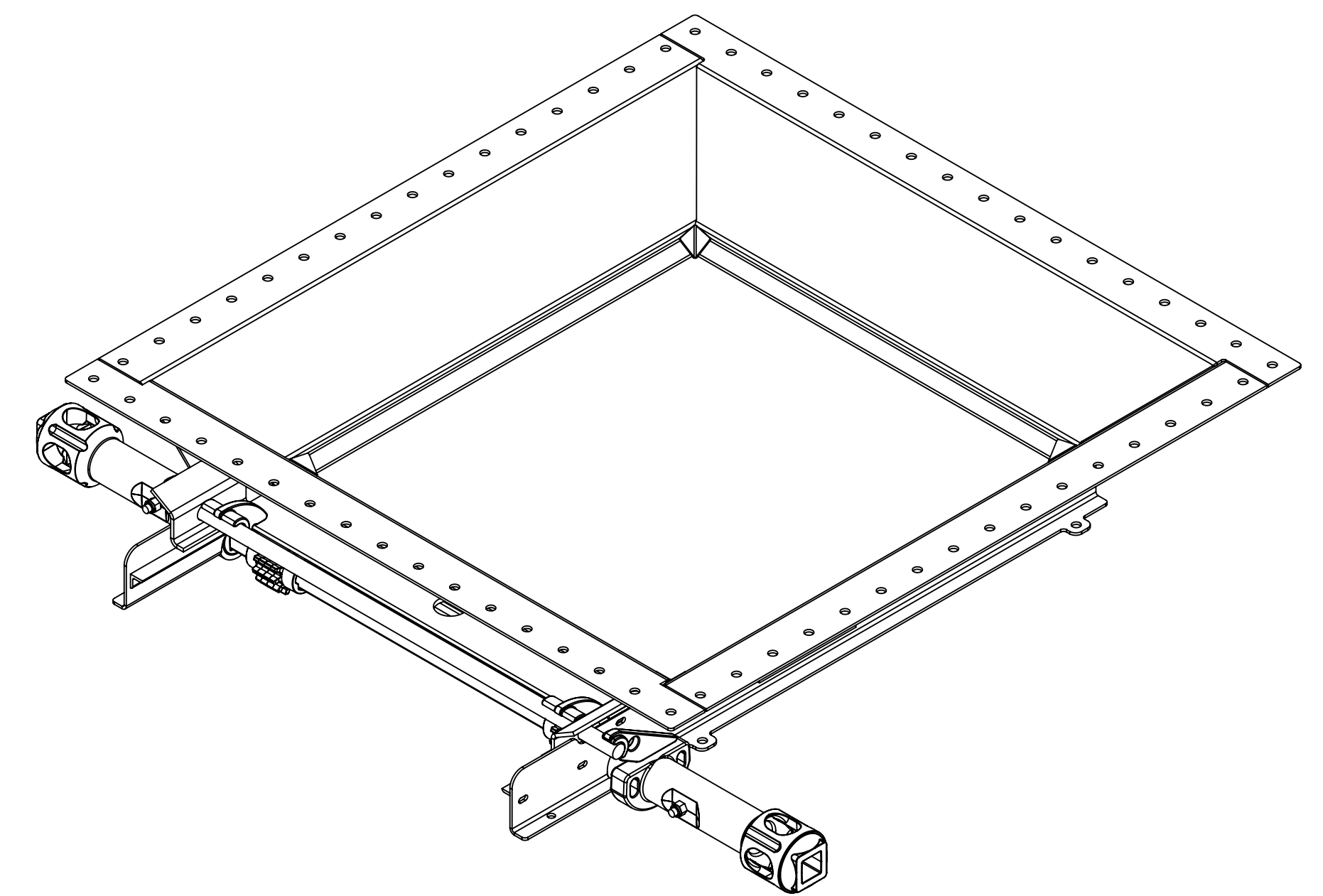


ITEM	QTY	PART NUMBER	DESCRIPTION	DRAWING NUMBER
1	1	MKE10926	FRAME ASSEMBLY, GALVANIZED	MKE10926
2	1	MKE10930	DOOR ASSEMBLY, GALVANIZED	MKE10930
3	1	MKE10932	OPERATING SHAFT, GALVANIZED	25481
4	2	MKE10931	OPERATING HANDLE WITH ACTIVATION CAM, GALVANIZED	MKE10931
5	2	MKE10933	WIDE SLIP PINION, GALVANIZED	MKE10933
6	2	MKE10066SS	CARPET SEAL, SS ROD	M-85-21
7	2	MKE10065SS	CARPET SEAL, SS ROD	M-85-21
8	2	P30000649	1/2-20 X3 HHCS SS	P30000649
9	2	P30000650	1/2-20 LOCKNUT SS	P30000650



**UNLESS OTHERWISE SPECIFIED TOLERANCES AS FOLLOWS**

X.XX ± 0.06 ANGLES ± 1  
 X.XXX ± 0.031 MM ±  
 (X.XX) CRITICAL / INSPECTION

**MINER ENTERPRISES INC.**

1200 EAST STATE STREET GENEVA, IL 60134

TITLE  
**30 X 30 AutoLOK II GATE ASSEMBLY**

PN MKE10925 MATERIAL SEE  
 WEIGHT 408.40 BOM

DEVICE 30 x 30 AutoLOK II

REFERENCE MKE10200 (M-85-58) SCALE 1:6  
 MODELED BY DD DETAILED BY DD APPROVED BY CG DATE 12/10/2018

DWG SIZE DRAWING NO. REV.  
 D MKE10925 A

THIS DRAWING IS THE PROPERTY OF MINER ENTERPRISES INC. WHO CLAIMS PROPRIETARY RIGHTS IN THE MATERIAL DISCLOSED. IT IS ISSUED IN CONFIDENCE FOR ENGINEERING INFORMATION ONLY AND MAY NOT BE COPIED OR USED FOR MANUFACTURE OF ANYTHING SHOWN WITHOUT PERMISSION FROM MINER ENTERPRISES INC. COPYRIGHT MINER ENTERPRISES, INC. 2019

**RELEASED FOR PRODUCTION**

REVISIONS						
ZONE	REV	DESCRIPTION	BY	CHKD BY	ECN	DATE
	A	INITIAL RELEASE	DD	CG	1917	12/11/2018