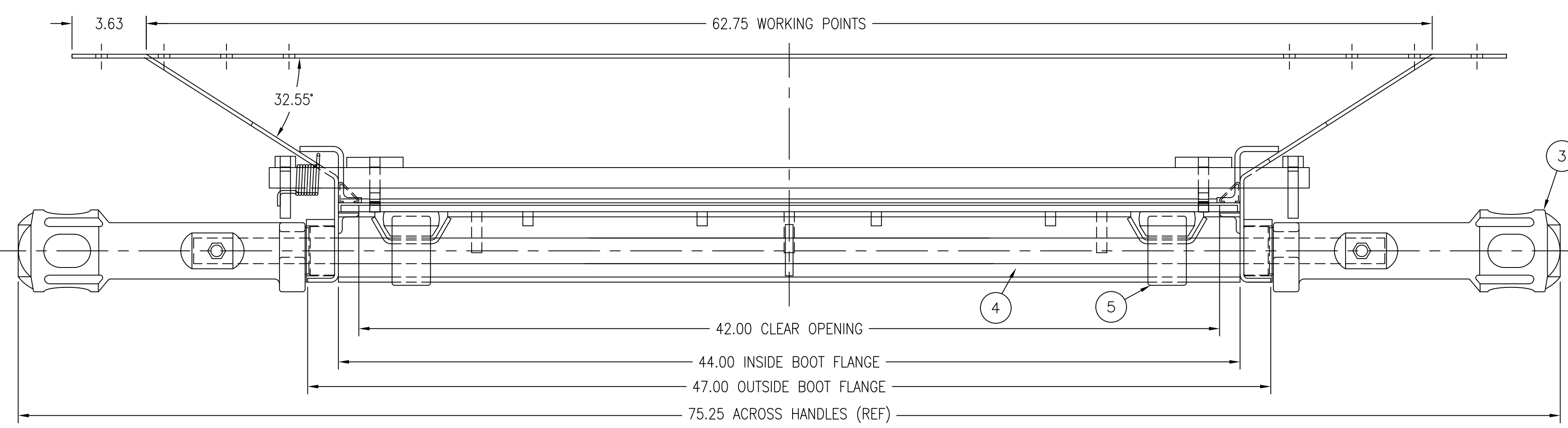
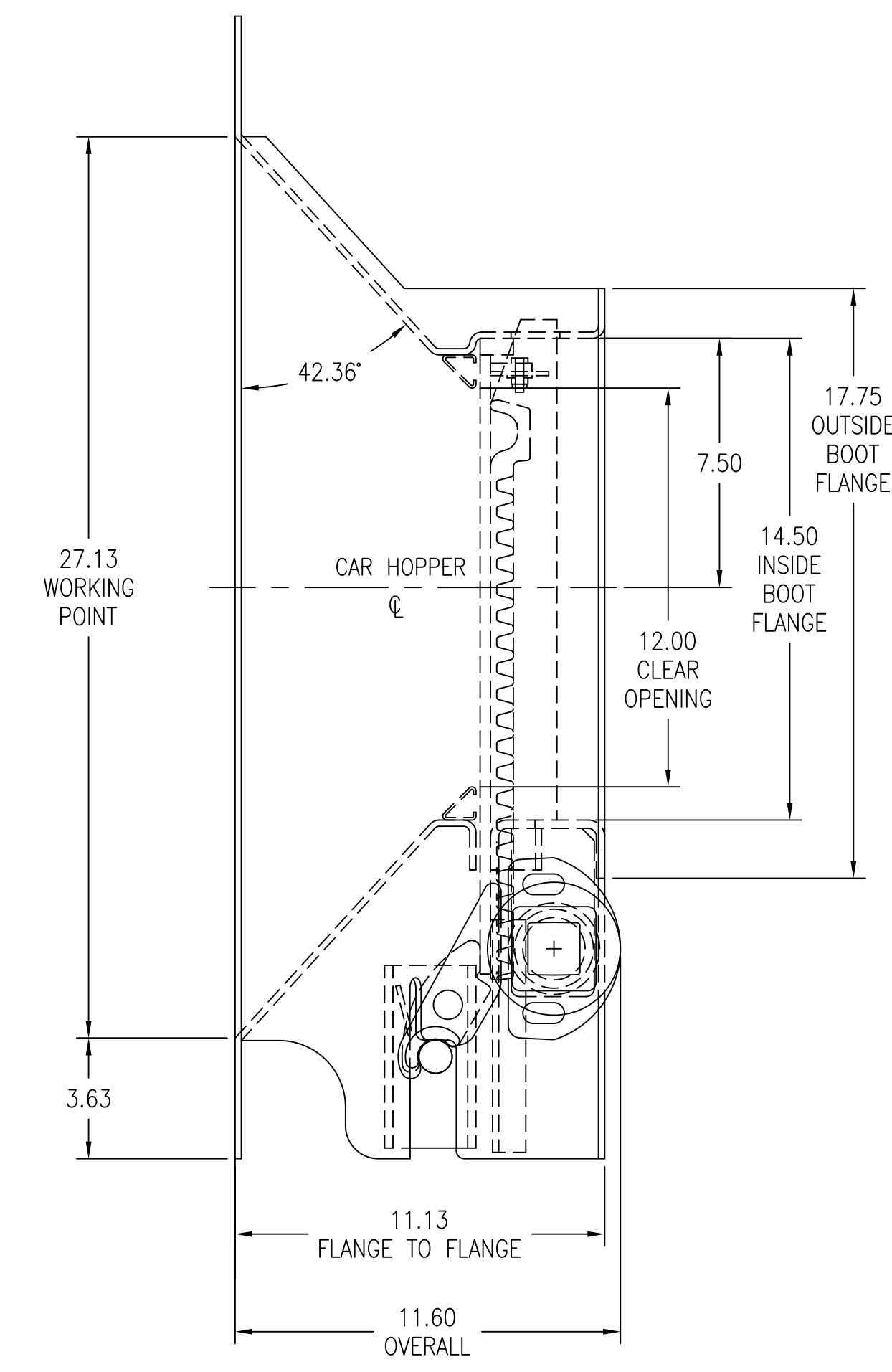
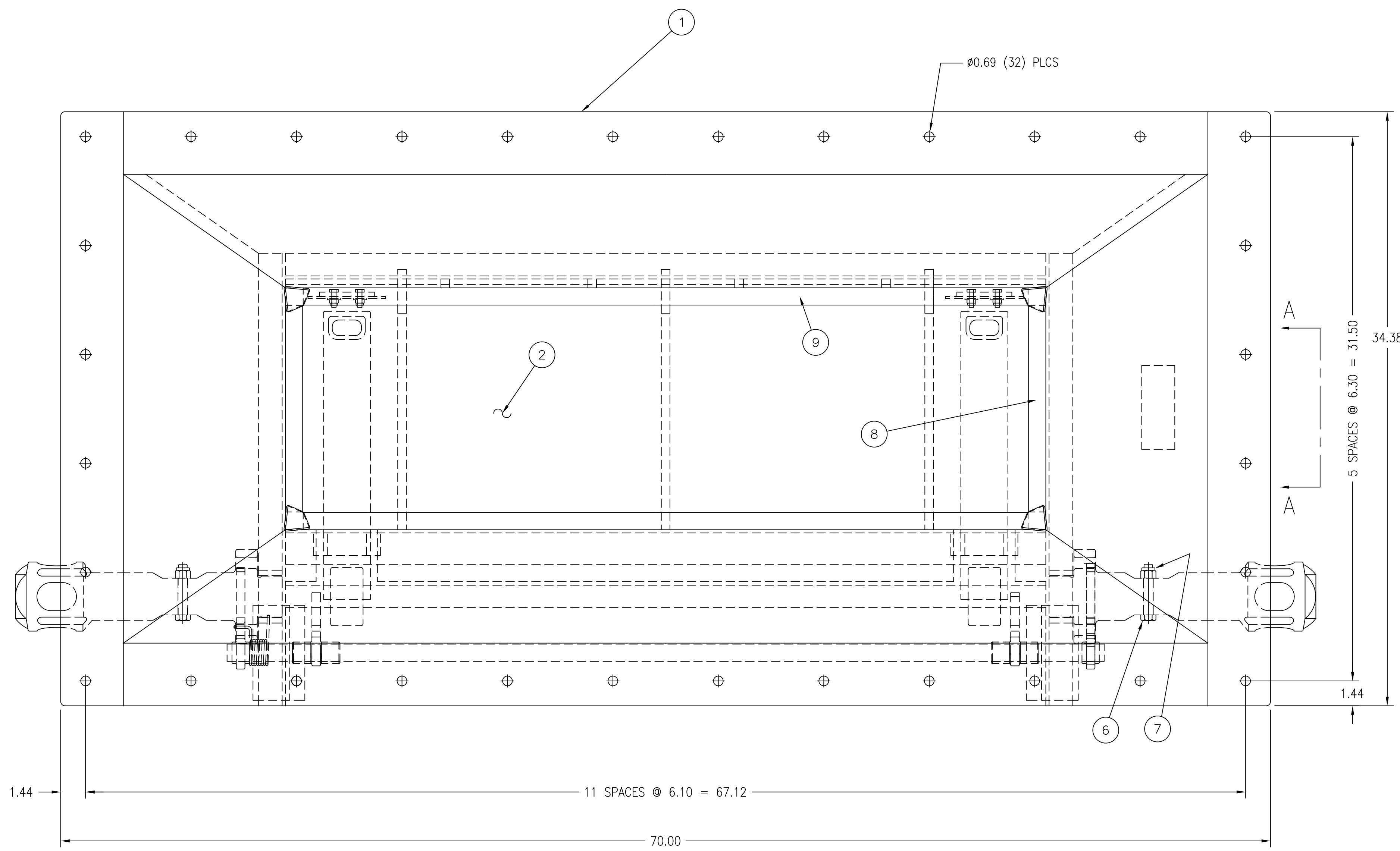


MKE10845 (32) Ø0.69 HOLES				
ITEM	QTY	PART NO.	DESCRIPTION	DRAWING NO.
1	1	MKE10844	FRAME ASSEMBLY (32 HOLE)	MKE10844
2	1	MKE10846	DOOR ASSEMBLY	MKE10846
3	2	MKE10080	OPERATING HANDLE	M-85-12
4	1	MKE10119	OPERATING SHAFT	25481
5	2	MKE10560	PINION	M-99-132
6	2	P30000649	1/2-20 X 3 HHCS (SS)	
7	2	P30000650	1/2-20 ELASTIC STOP NUT (SS)	
8	2	MKE10121SS	SEAL (SIDE)	M-85-21
9	2	MKE10122SS	SEAL (END)	M-85-21



NOTE:
GATE ASSEMBLY COMPONENTS GALVANIZED
PER POWERBRACE SPECIFICATION PB-110

MINER ENTERPRISES
PART NO: MKE-XXXXX
MADE IN USA
XX/XX

NAME TAG ON GATE
SLOPE SHEET
VIEW A-A

THIS DRAWING IS THE PROPERTY OF
MINER ENTERPRISES INC. WHO CLAIMS
PROPRIETARY RIGHTS IN THE MATERIAL
DISCLOSED. IT IS ISSUED IN CONFIDENCE
FOR ENGINEERING INFORMATION ONLY
AND MAY NOT BE COPIED OR USED FOR
MANUFACTURE OF ANYTHING SHOWN
WITHOUT SPECIFIC WRITTEN PERMISSION
FROM MINER ENTERPRISES INC.
COPYRIGHT MINER ENTERPRISES, INC. 1998.

CUSTOMER DRAWING

DIMENSIONAL TOLERANCES			
ALL DIMENSIONS IN INCHES UNLESS OTHERWISE SPECIFIED			
UNLESS OTHERWISE SPECIFIED:		TOLERANCES ARE	
2 PL. DEC.: ±0.06	NOT ACCUMULATIVE		
3 PL. DEC.: ±0.031	MILLIMETERS:		
ANGLES: ±1	MM 1 PL. DEC.: ±x.x		
MINER ENTERPRISES INC.			
W. H. MINER DIVISION			
1200 EAST STATE STREET		GENEVA, IL 60134	
TITLE: 13 x 42 GATE ARRANGEMENT			
PART: MKE10845	MATERIAL: GALVANIZED		
WEIGHT: 365#	STEEL		
DEVICE: 13 x 42 AutoLOK II	SCALE: QUARTER		
DR BY: DD	DATE: 12/1/2017	CH BY: NBE	SCH: A
PART / CAT NO.:	DRAWING NO.:	REV.:	
	MKE10845	A	