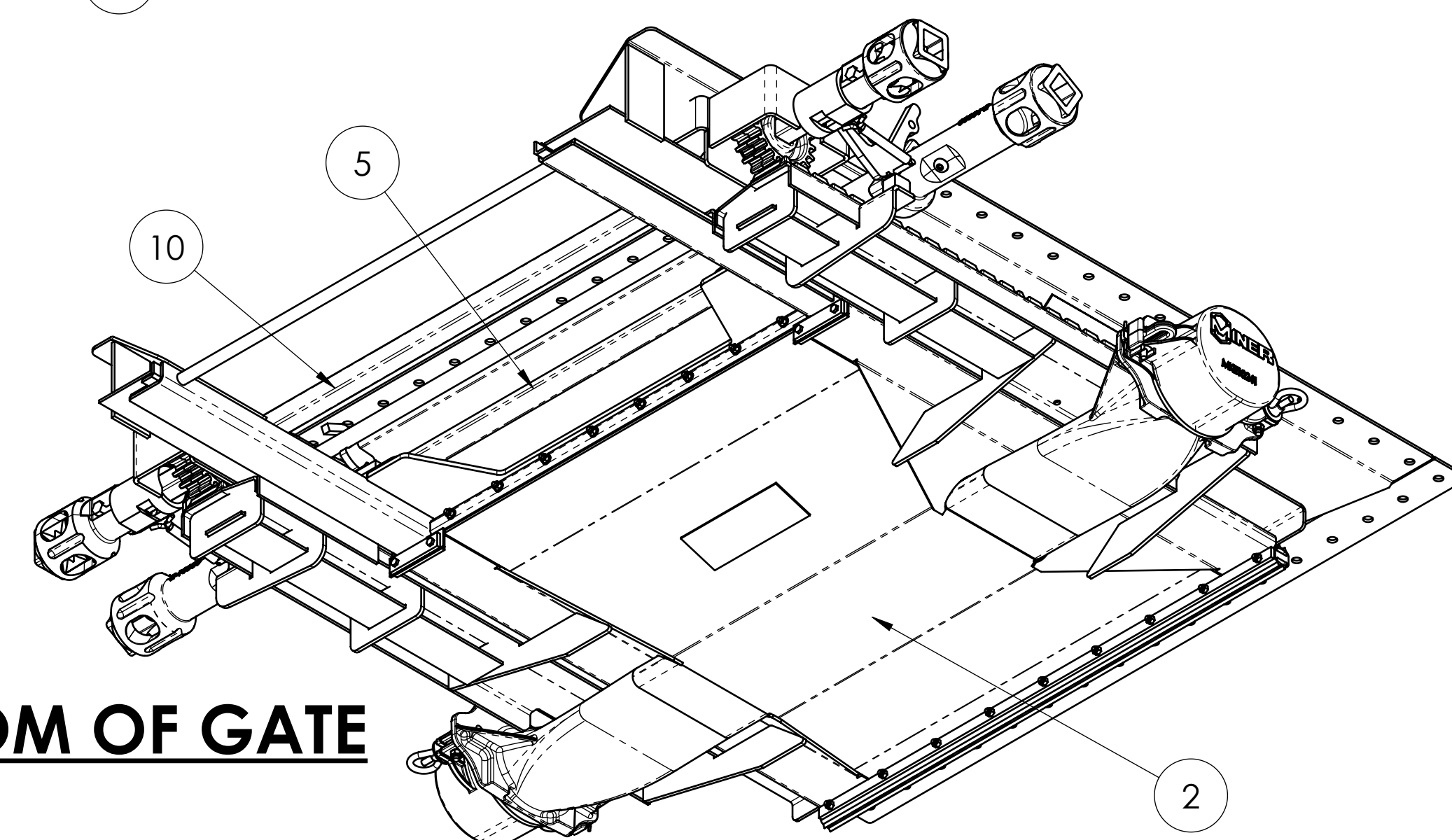


**TOP OF GATE**  
ITEM 3 (DOOR) HIDDEN TO SHOW  
PLENUM HOOD ASSEMBLY

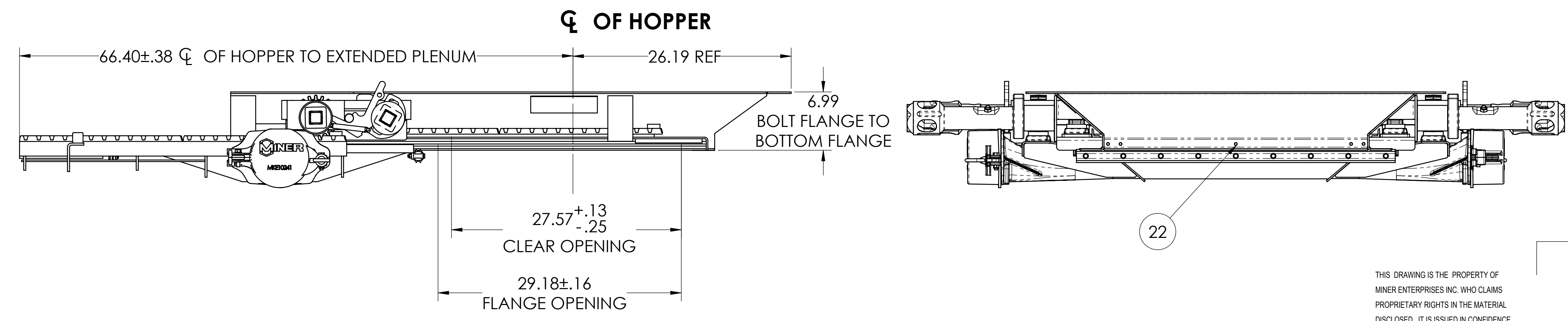
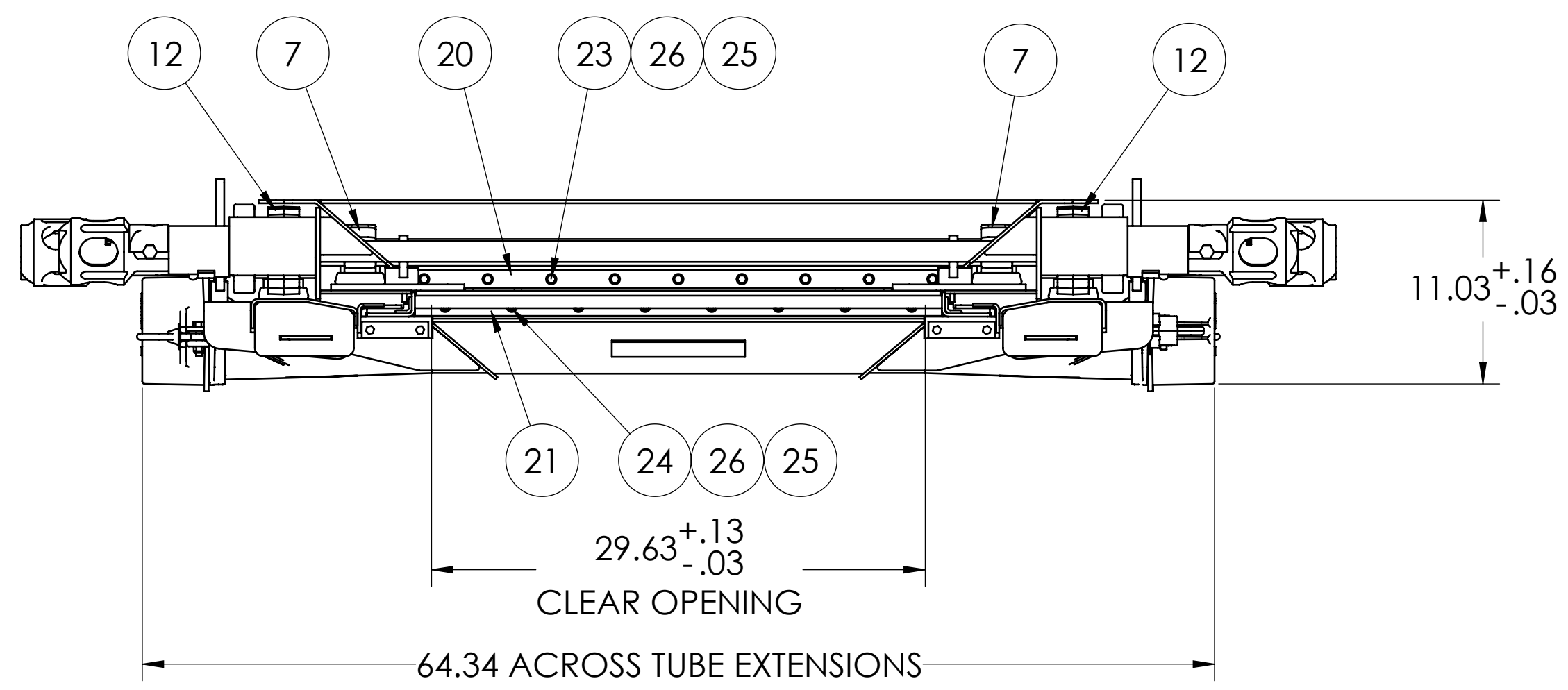


**BOTTOM OF GATE**

**A MOUNTING GASKET WITH THE FOLLOWING PROPERTIES IS RECOMMENDED:**

- FDA APPROVED MATERIALS
- DUAL DUROMETER
- HOLLOW BULB
- FOR UP TO 70 FT-LBS OF FASTENER TORQUE
- EXAMPLE: CENTRAL SALES AND SERVICE 44048

ITEM	QTY	PART NUMBER	DESCRIPTION	DRAWING NUMBER
1	1	P10679002	FRAME ASSEMBLY	M-168-13
2	1	MKE10774	PLENUM CHAMBER ASSEMBLY	MKE10774
3	1	MKE10272	DOOR ASSEMBLY	M-133-29
4	2	P30005014	LOCK SPRING	30005014
5	1	MKE10216	OPERATING SHAFT - DOOR	M-133-56
6	2	MKE10080	OPERATING HANDLE WITH ACTIVATION CAM	M-85-12
7	2	MKE7029-1	PINION, 12 TOOTH	25425-1
8	2	P30000642	1/2-13 X 2 1/2 BHB	P30000642
9	2	P30000643	1/2 - 13 JAM NUT	P30000643
10	1	MKE10217	OPERATING SHAFT - PLENUM	M-133-57
11	2	MKE8261	OPERATING HANDLE	30776
12	2	MKE10208	PINION, 20 TOOTH	M-133-8
13	2	P30000615	1/2-20 LOCKNUT ZN	P30000615
14	2	P30000611	1/2-20 X3 HHCS ZN	P30000611
15	2	MKE10169-7	DOOR SUPPORT RUNNER (SIDE)	M-133-15
16	1	MKE10169-5	DOOR SUPPORT RUNNER (FRONT)	M-133-15
17	1	MKE10215	BOTTOM RUNNER	M-140-15
18	1	P10267014	DOOR SUPPORT RUNNER	M-140-61
19	2	MKE10426	SANITARY RUNNER	M-140-17
20	1	MKE10248-1	SEAL, REAR	M-140-28
21	1	MKE10248-2	SEAL, BOTTOM	M-140-28
22	5	P30000151	#12 HHSMS ZN PLT	P30000151
23	9	P30000228	1/4-20 X 1 7/8 HHCS ZN	P30000228
24	8	P30000211	1/4-20 X 4 1/2 HHCS SS	P30000211
25	17	P30000203	1/4-20 LOCKNUT	P30000203
26	17	P30000209	1/4 WASHER	P30000209



THIS DRAWING IS THE PROPERTY OF MINER ENTERPRISES INC. WHO CLAIMS PROPRIETARY RIGHTS IN THE MATERIAL DISCLOSED. IT IS ISSUED IN CONFIDENCE FOR ENGINEERING INFORMATION ONLY AND MAY NOT BE COPIED OR USED FOR MANUFACTURE OF ANYTHING SHOWN WITHOUT SPECIFIC WRITTEN PERMISSION FROM MINER ENTERPRISES INC. COPYRIGHT MINER ENTERPRISES, INC. 2004.

**MINER ENTERPRISES INC.**  
W. H. MINER DIVISION  
1200 EAST STATE STREET GENEVA, IL 60134

**GATE ARRANGEMENT**

PN: MKE10773 MATERIAL: SEE BOM  
WEIGHT: 838.25  
DEVICE: 27 x 30 SaniLOK  
REFERENCE: SCALE: 1:8  
BY: DD DATE: 12/06/2016 BY: RMC  
DRAWING NO. **E MKE10773**

**MINER ENTERPRISES INC.**  
DIMENSIONAL TOLERANCES  
ALL DIMENSIONS IN INCHES UNLESS OTHERWISE SPECIFIED  
UNLESS OTHERWISE SPECIFIED, TOLERANCES ARE NOT ACCUMULATIVE  
2 PL. DEC.: ±0.06  
3 PL. DEC.: ±0.031  
MILLIMETERS: MM 1 PL. DEC.: ±