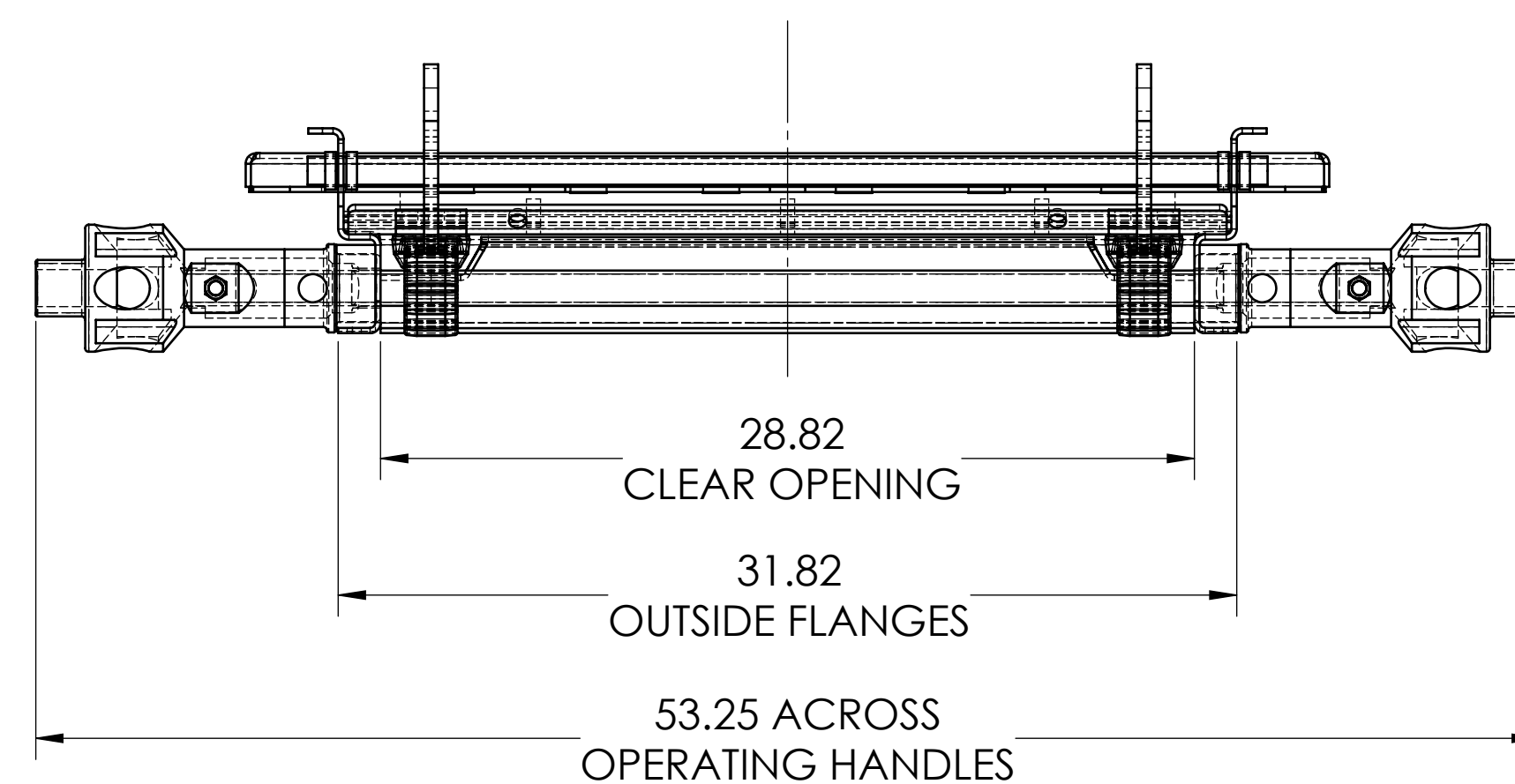
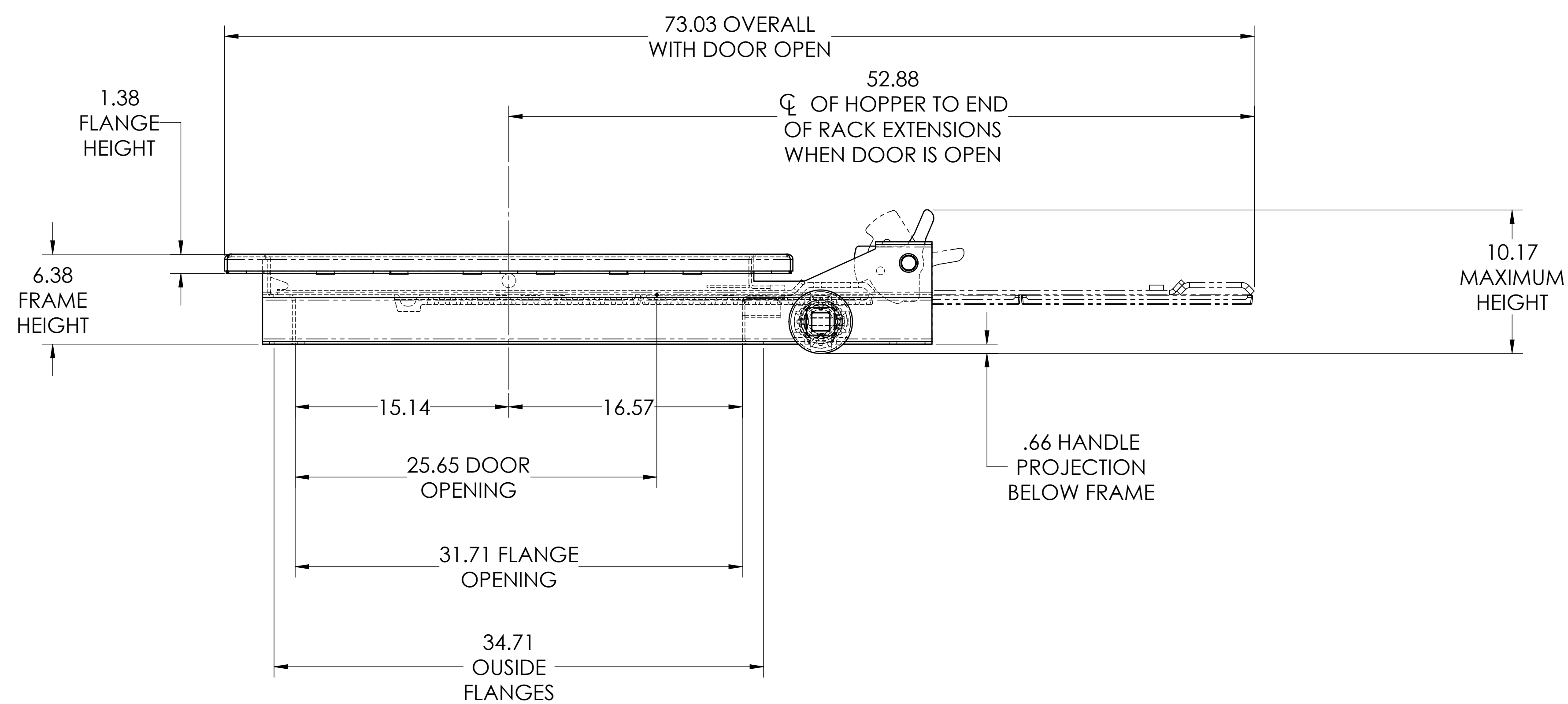
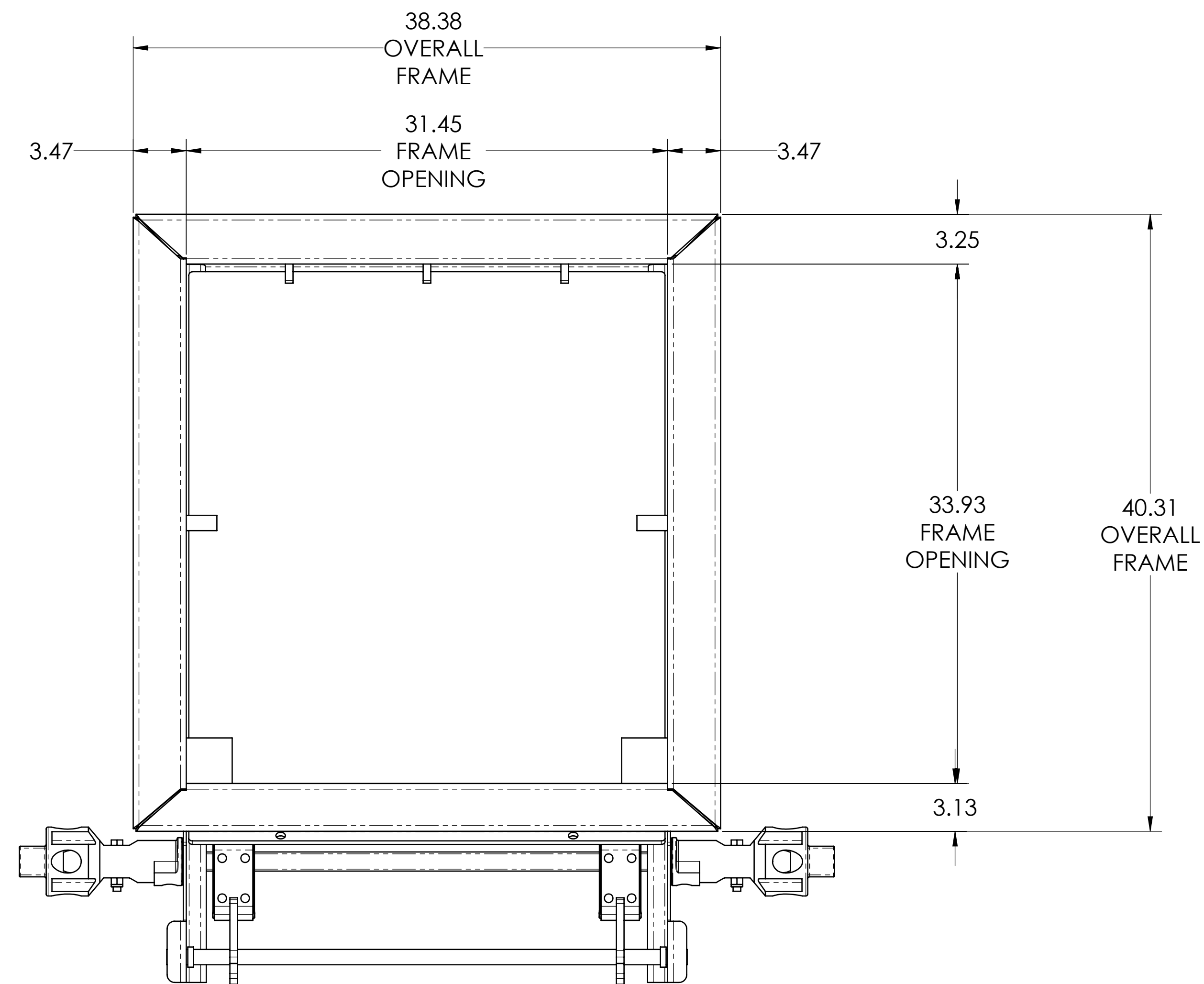
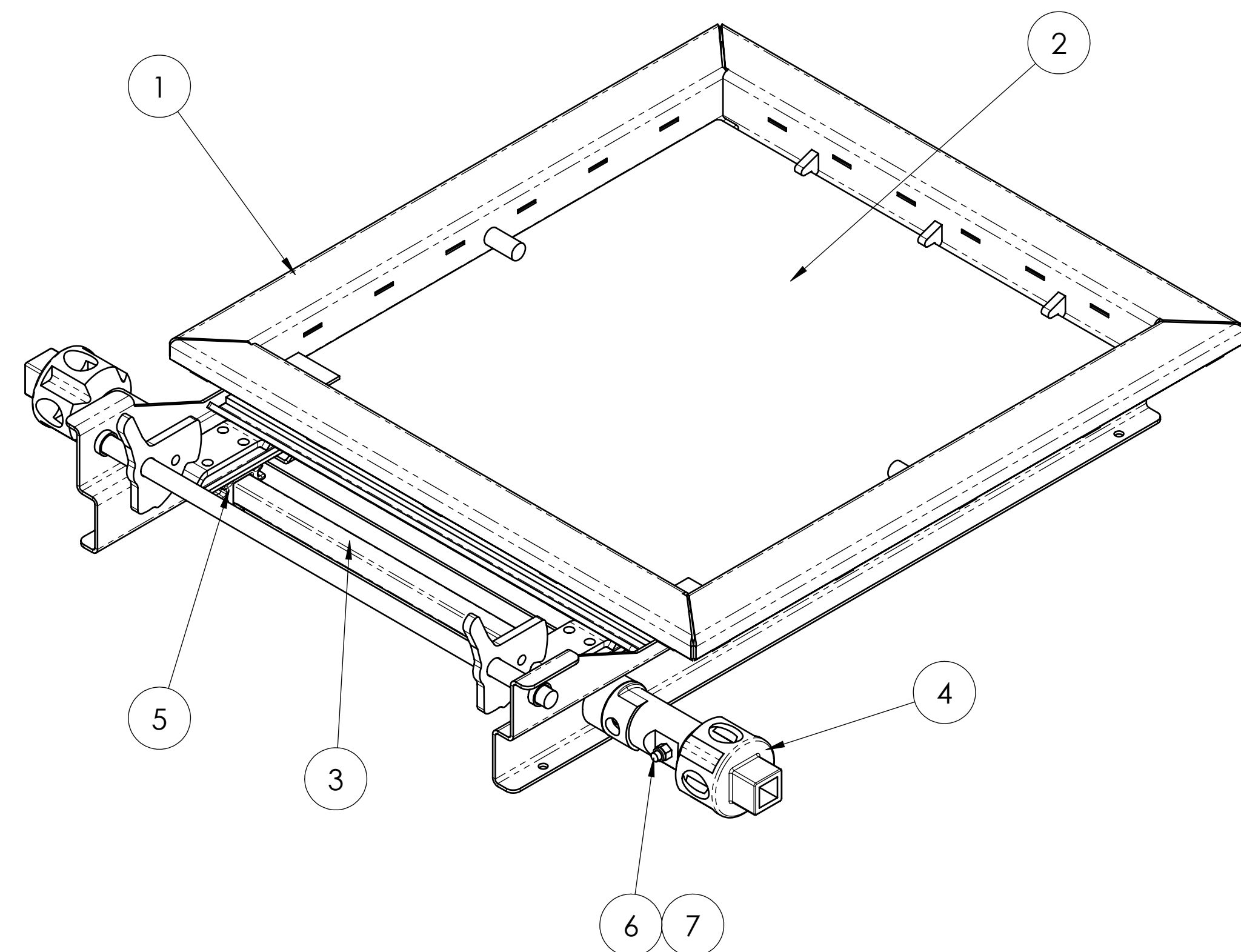


ITEM	QTY	PART NUMBER	DESCRIPTION	DRAWING NUMBER
1	1	MKE10736	FRAME ASSEMBLY	MKE10736
2	1	MKE10735	DOOR WELDMENT	MKE10735
3	1	MKE10750	OPERATING SHAFT	25481
4	2	MKE5651	OPERATING HANDLE	10267
5	2	MKE7029-1	PINION, 12 TOOTH	25425-1
6	2	P30000611	1/2-20 X3 HHCS ZN	P30000611
7	2	P30000615	1/2-20 LOCKNUT ZN	P30000615



THIS DRAWING IS THE PROPERTY OF MINER ENTERPRISES INC. WHO CLAIMS PROPRIETARY RIGHTS IN THE MATERIAL DISCLOSED. IT IS ISSUED IN CONFIDENCE FOR ENGINEERING INFORMATION ONLY AND MAY NOT BE COPIED OR USED FOR MANUFACTURE OF ANYTHING SHOWN WITHOUT SPECIFIC WRITTEN PERMISSION FROM MINER ENTERPRISES INC. COPYRIGHT MINER ENTERPRISES, INC. 2004.

CUSTOMER DRAWING

MINER ENTERPRISES INC.
W. H. MINER DIVISION
 1200 EAST STATE STREET GENEVA, IL 60134

30 X 30 SELFLOK GATE ARRANGEMENT

PN: MKE10733 MATERIAL: SEE BOM
 WEIGHT: 324.64

REFERENCE: SCALE: 1:6
 BY: RMC DATE: 10/21/2016 BY: NBE SCH: 1

E MKE10733-CUST REV: D