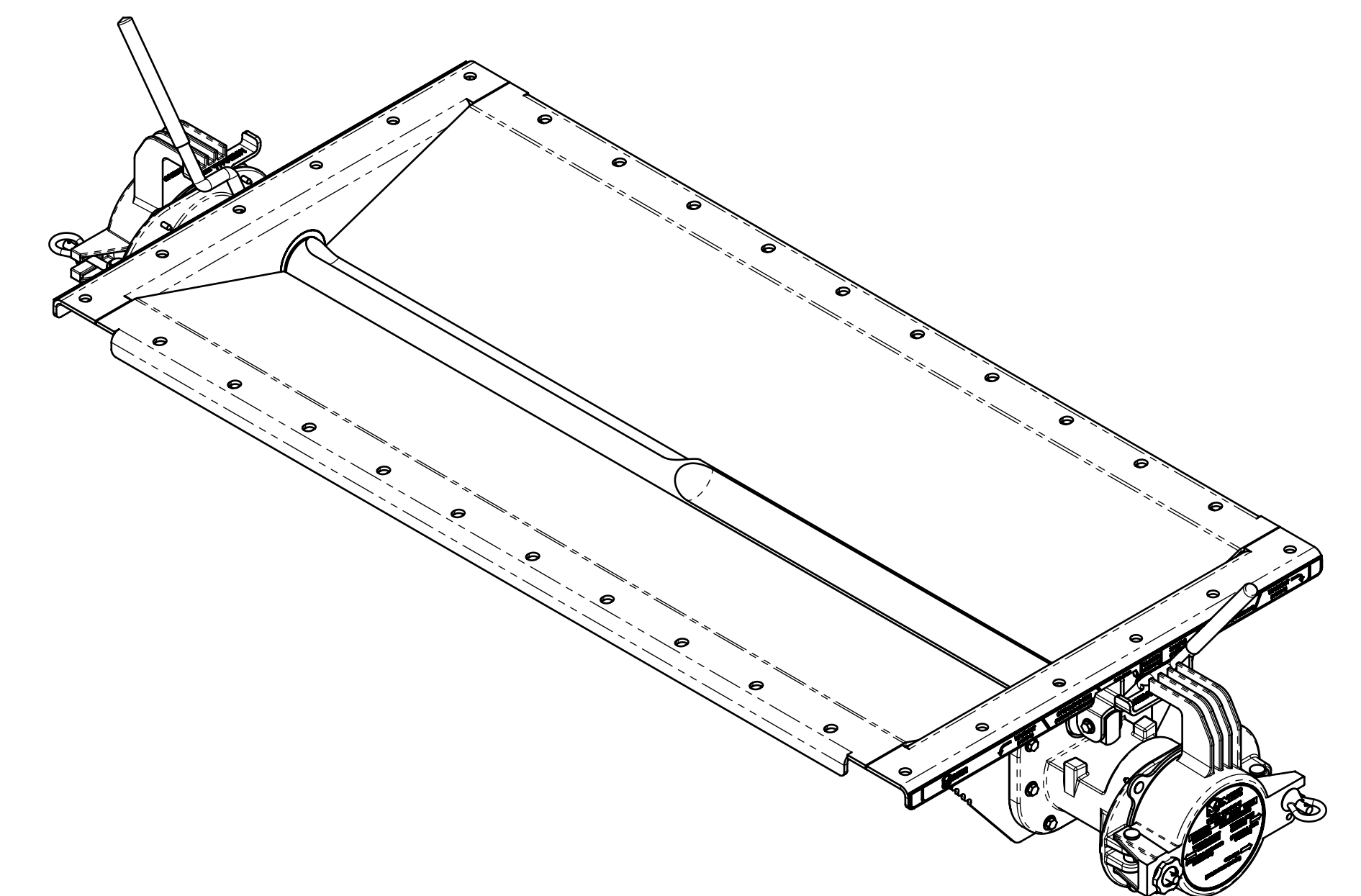
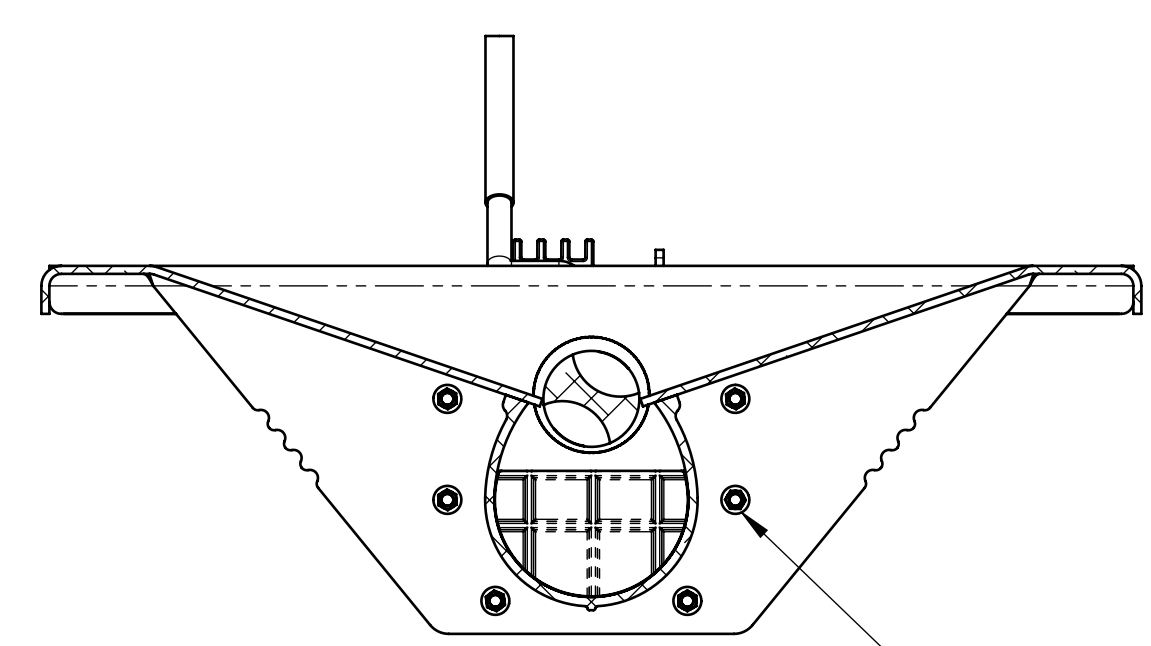
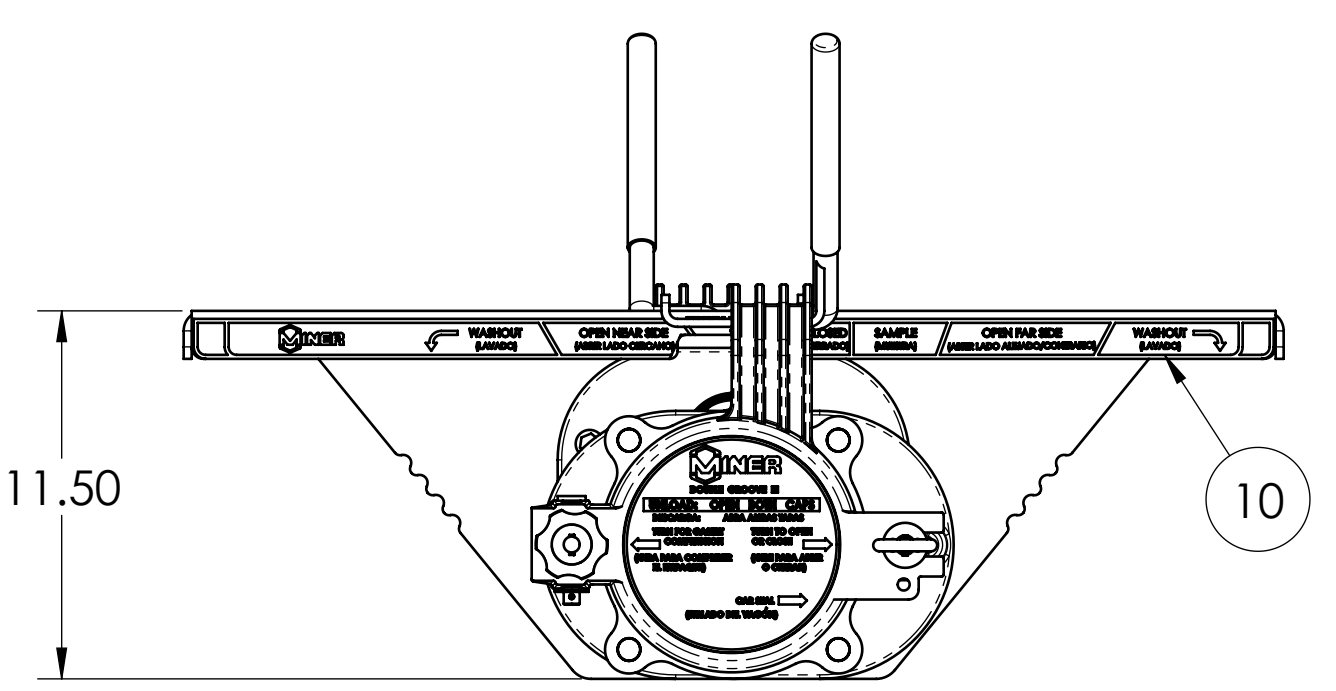
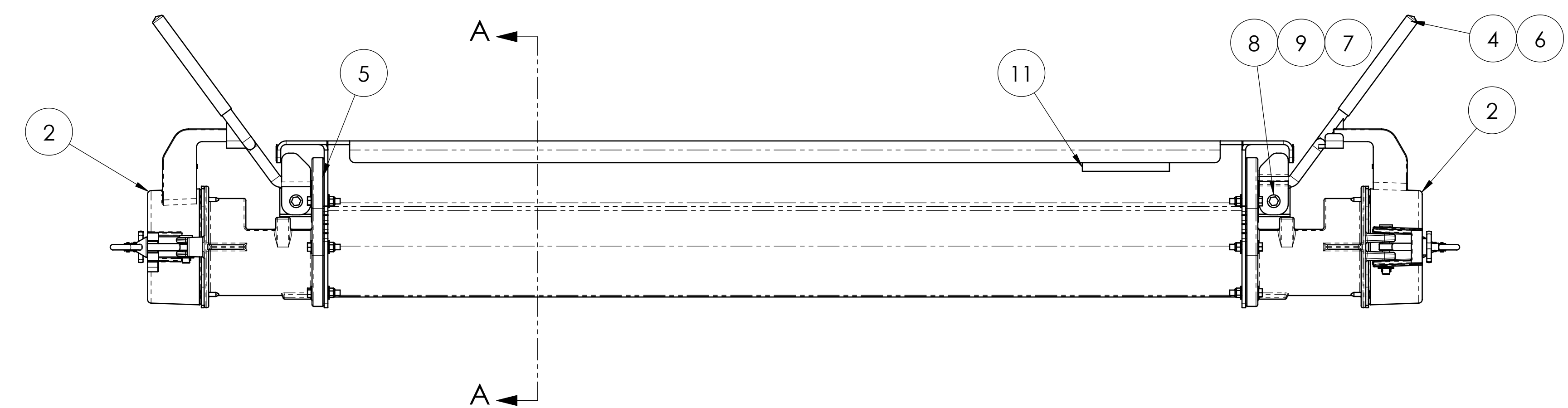


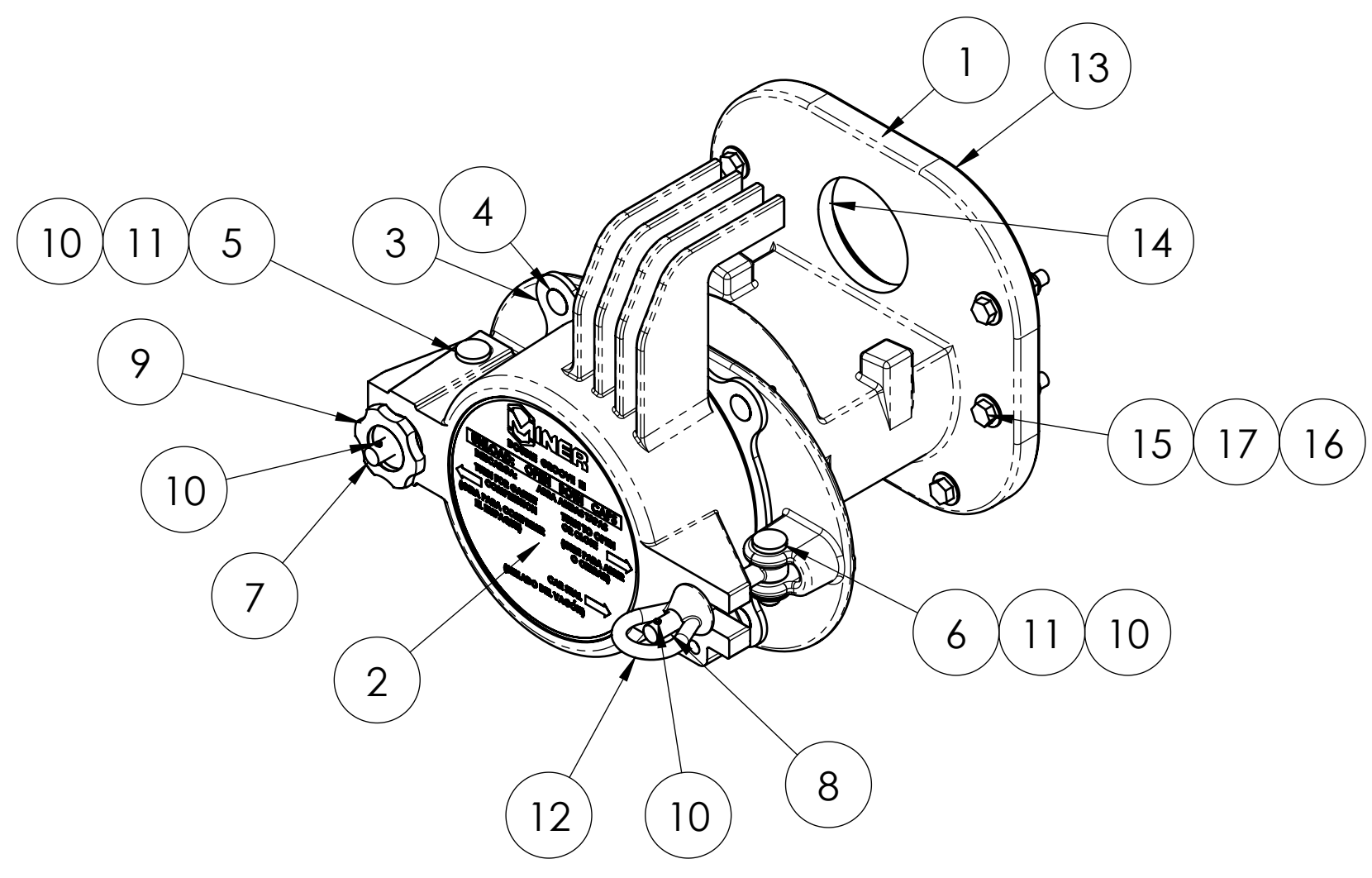
ITEM	MKE10675-1	PART NUMBER	DESCRIPTION	DRAWING NUMBER
1	1	P10647010	SLOPE SHEET ASS'Y, PLAIN FINISH	M-157-92
2	2	MKE10492	TRANSITION TUBE (PLAIN FINISH), WITH CAP AND HARDWARE	M-157-3
3	1	P10465005	VALVE 3" DIA.	M-157-11
4	2	MKE10466-1	GATE HANDLE	M-157-9
5	2	MKE10469	ECCENTRIC VALVE SEAL	M-157-14
6	2	P10465008	HANDLE GRIP	M-157-28
7	2	P30000443	3/8-16 X 2-1/4 HHCS OR SHCS, SS	P30000443
8	4	P30000445	WASHER, 3/8", SS OR CAD	P30000445
9	2	P30000423	3/8-16 NYLOK NUT 18-8 SS	P30000423
10	2	P10466000	VALVE INDICATOR LABEL	P10466000
11	1	P74800056	DECAL for MKE10675	M-74-13

* NOTE: PART NUMBER MKE10446-1 IS INTERCHANGEABLE WITH MKE10821 (DWG# MKE10821).
REPLACEMENT HANDLE WITH GRIP: MKE10466 OR MKE10868



1. APPLY A SMALL AMOUNT OF ANTI-SEIZE TO THREADS.
2. TIGHTEN IN AN ALTERNATING PATTERN.
3. TORQUE TO 50-70 FOOT POUNDS.
4. RETORQUE AFTER 1 HOUR.

ITEM	MKE10492	PART NUMBER	DESCRIPTION	DRAWING NUMBER
1	1	MKE10476	TRANSITION TUBE W/VACUUM NECK, PLAIN FINISH	M-157-4
2	1	MKE10470-1	CAP W/LABEL	M-157-17-1
3	1	MKE10468	CLOSURE CAP GASKET	M-157-13
4	4	P30000230	RATCHET FASTENER	M-157-25
5	1	P30000657	CLEVIS PIN, 3.25L, 1/2 DIA.	M-157-29
6	1	P30000656	CLEVIS PIN, 1.75L X 1/2 DIA.	M-157-29
7	1	P30000661	ROD END, 3.62L X 1/2 DIA.	M-157-24
8	1	P30000660	ROD END 4.25L X 1/2 DIA	M-157-24
9	1	P30000659	COMPRESSION KNOB	M-157-21
10	4	P30000120	COIL PIN, Ø.156 X 5/8", SS	M-157-112
11	2	P30000662	WASHER, 1/2 SAE, Zn PLATE	P30000662
12	1	P30000658	EYE NUT, 1/2-13 UNC	M-157-20
13	1	MKE10467	BOLTING FLANGE GASKET	M-157-12
14	1	MKE10471	VALVE SEAL ASSEMBLY GASKET	M-157-18
15	6	P30000460	3/8-16 X 2 HHCS OR SHCS, SS	P30000460
16	6	P30000423	3/8-16 NYLOK NUT 18-8 SS	P30000423
17	12	P30000445	WASHER, 3/8", SS OR CAD	P30000445



TRANSITION TUBE ASSEMBLY

THIS DRAWING IS THE PROPERTY OF MINER ENTERPRISES INC. WHO CLAIMS PROPRIETARY RIGHTS IN THE MATERIAL DISCLOSED. IT IS ISSUED IN CONFIDENCE FOR ENGINEERING INFORMATION ONLY AND MAY NOT BE COPIED OR USED FOR MANUFACTURE OF ANYTHING SHOWN WITHOUT SPECIFIC WRITTEN PERMISSION FROM MINER ENTERPRISES INC. COPYRIGHT MINER ENTERPRISES, INC. 2004.

MINER ENTERPRISES INC.
W. H. MINER DIVISION
1200 EAST STATE STREET GENEVA, IL 60134

THIS DRAWING IS THE PROPERTY OF MINER ENTERPRISES INC. WHO CLAIMS PROPRIETARY RIGHTS IN THE MATERIAL DISCLOSED. IT IS ISSUED IN CONFIDENCE FOR ENGINEERING INFORMATION ONLY AND MAY NOT BE COPIED OR USED FOR MANUFACTURE OF ANYTHING SHOWN WITHOUT SPECIFIC WRITTEN PERMISSION FROM MINER ENTERPRISES INC. COPYRIGHT MINER ENTERPRISES, INC. 2004.

DATE: 1/24/2013
SCALE: 1:6
REV: E

E MKE10675-1