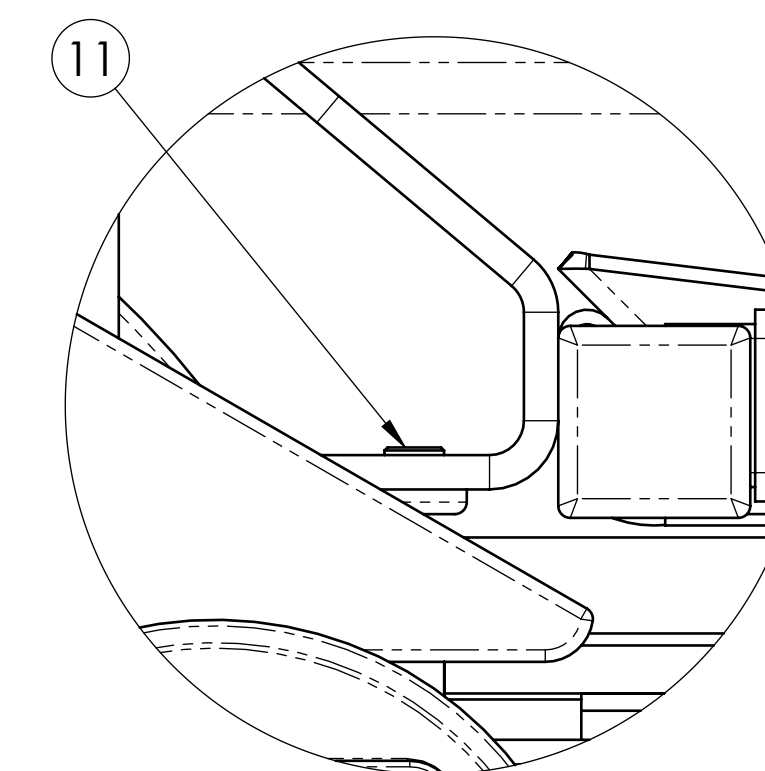


DETAIL A
SCALE 1 : 1



DETAIL B
SCALE 1 : 1

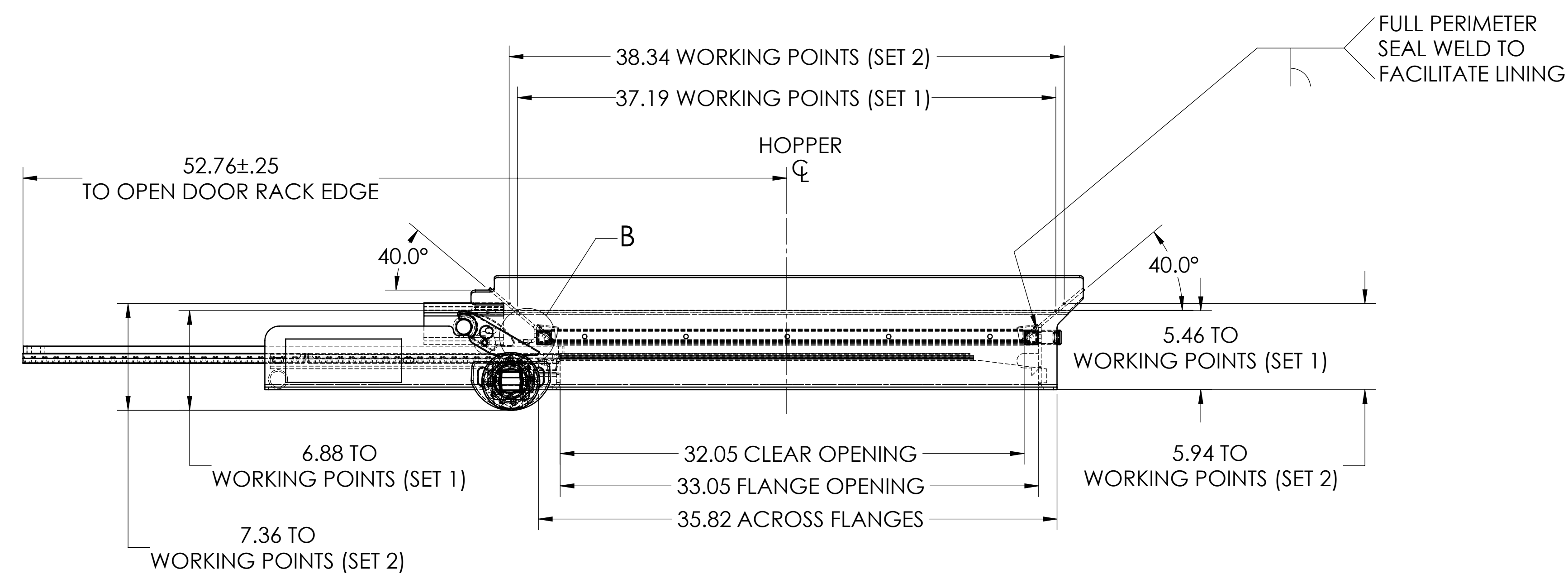
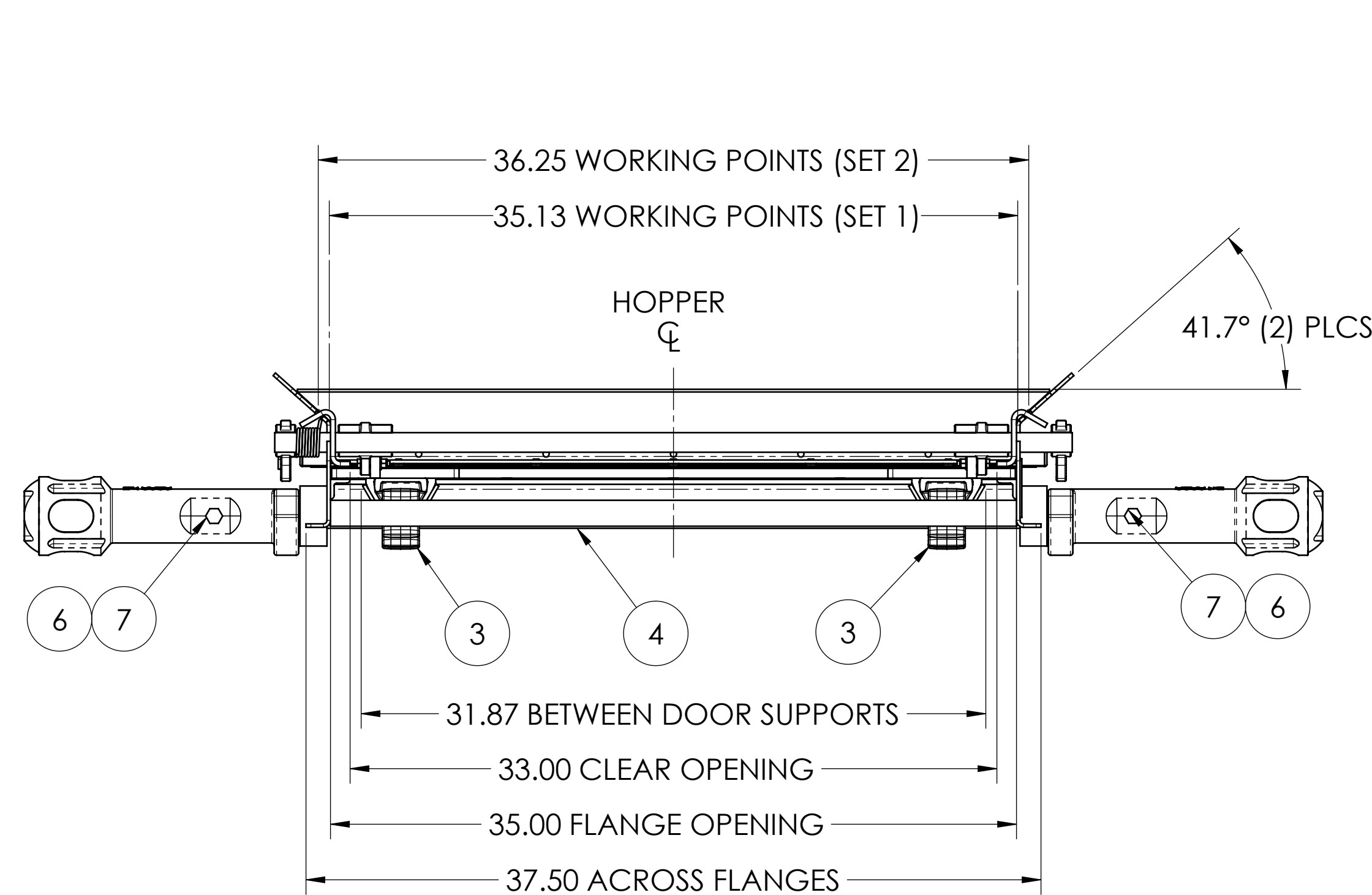
ITEM	QTY	PART NUMBER	DESCRIPTION	DRAWING NUMBER
1	1	MKE10591	FRAME ASSEMBLY	M-171-3
2	1	MKE10592	DOOR ASSEMBLY	M-171-10
3	2	MKE10129	SLIP PINION, SYMMETRIC	M-85-53
4	1	MKE7237	OPERATING SHAFT	25481
5	2	MKE10080	OPERATING HANDLE WITH ACTIVATION CAM	M-85-12
6	2	P30000611	1/2-20 X3 HHCS ZN	P30000611
7	2	P30000615	1/2-20 LOCKNUT ZN	P30000615
8	6	MKE10655	1" SQUARE PLUG	M-171-12
9	2	MKE10656SS	CARPET SEAL	M-85-21
10	2	MKE10657SS	CARPET SEAL	M-85-21
11	5	P30000280	BUTTON GLIDE	P30000280
12	2	P10342001	BUMP GUARD	M-85-81
13	2	P30000214	1/4-20 X 1-1/2 HHCS	P30000214
14	2	P30000209	1/4 WASHER	P30000209
15	2	P30000203	1/4-20 LOCKNUT	P30000203

NOTES:

- GATE IS DESIGNED WITH CLEARANCE TO ACCOMMODATE HIGH-BUILD COATINGS, i.e. CARBOLINE EPOXY LINING.
- SEAL FRAME CHANNEL, RUNNER CHANNEL AND CARPET SEAL RODS ARE STAINLESS STEEL.
- UHMW-PE PARTS CAN BE BLASTED AND PAINTED. CARE SHOULD BE TAKEN TO MINIMIZE DAMAGE DURING BLAST.
- CARPET SEALS NEED TO BE INSTALLED IN ORDER DESCRIBED BELOW, AFTER PAINTING.

CARPET SEAL INSTALLATION ORDER

- INSTALL ONE 37" CARPET SEAL AT THE BACK OF SLIDE GATE MARKED AS (1st).
- INSTALL TWO 33" CARPET SEALS, ONE ON EACH SIDE OF SLIDE GATE MARKED AS (2nd).
- INSTALL ONE 37" CARPET SEAL AT THE FRONT OF SLIDE GATE MARKED AS (3rd).
- INSTALL SIX PLUGS, ONE INTO EACH SQUARE TUBE AFTER ALL THE CARPET SEALS ARE INSTALLED.



THIS DRAWING IS THE PROPERTY OF MINER ENTERPRISES INC. WHO CLAIMS PROPRIETARY RIGHTS IN THE MATERIAL DISCLOSED. IT IS ISSUED IN CONFIDENCE FOR ENGINEERING INFORMATION ONLY AND MAY NOT BE COPIED OR USED FOR MANUFACTURE OF ANYTHING SHOWN WITHOUT SPECIFIC WRITTEN PERMISSION FROM MINER ENTERPRISES INC. COPYRIGHT MINER ENTERPRISES, INC. 2004.

MINER ENTERPRISES INC.
 W. H. MINER DIVISION
 1200 EAST STATE STREET GENEVA, IL 60134

30 X 30-WIDE RUNNER AutoLOK II ARRANGEMENT WITH 1/2" DOOR

PER MATERIAL SEE BOM

WEIGHT: _____

DEVICE: _____

REFERENCE: _____ SCALE: 1:6

BY: JED DATE: 10/4/10 BY: BS SCH

DRAWING NO. **E MKE10590** REV. _____