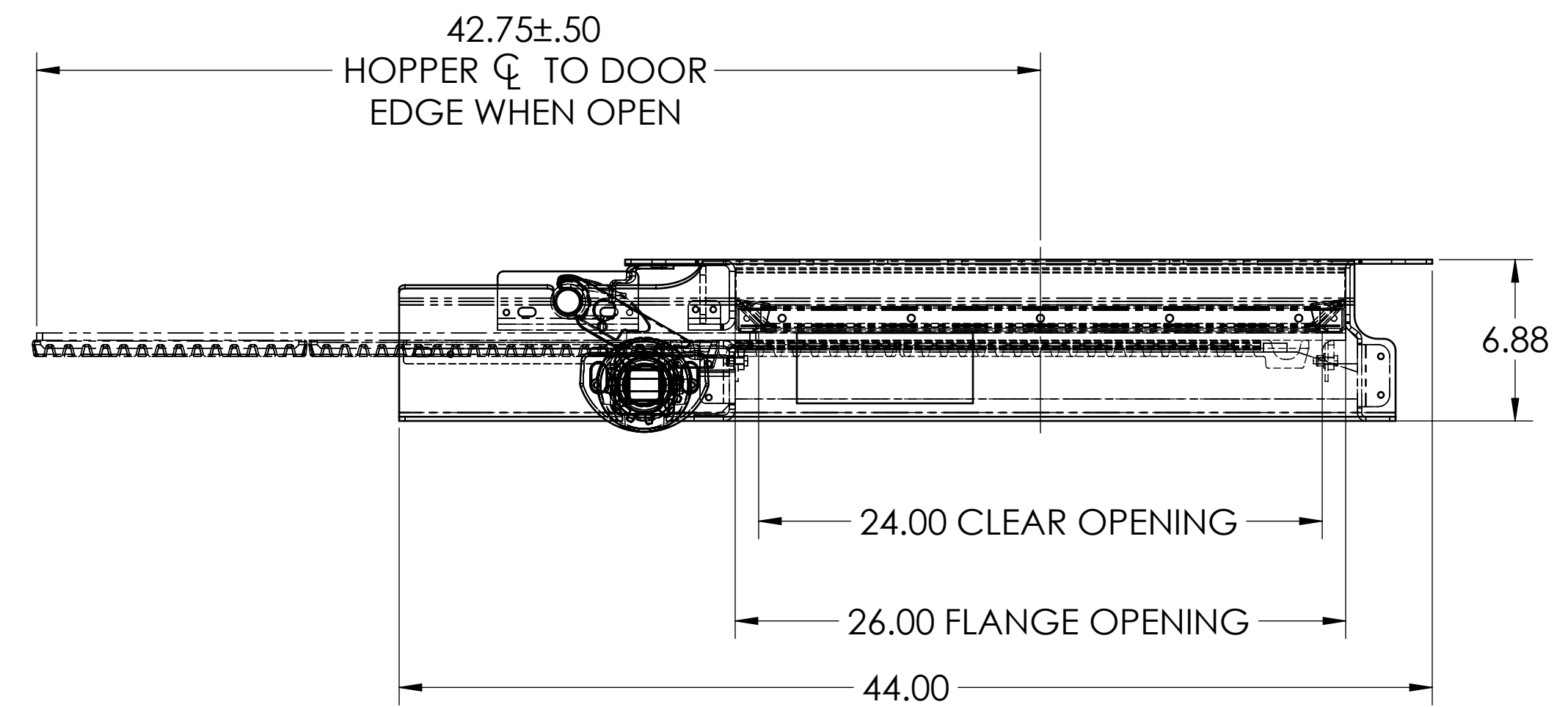
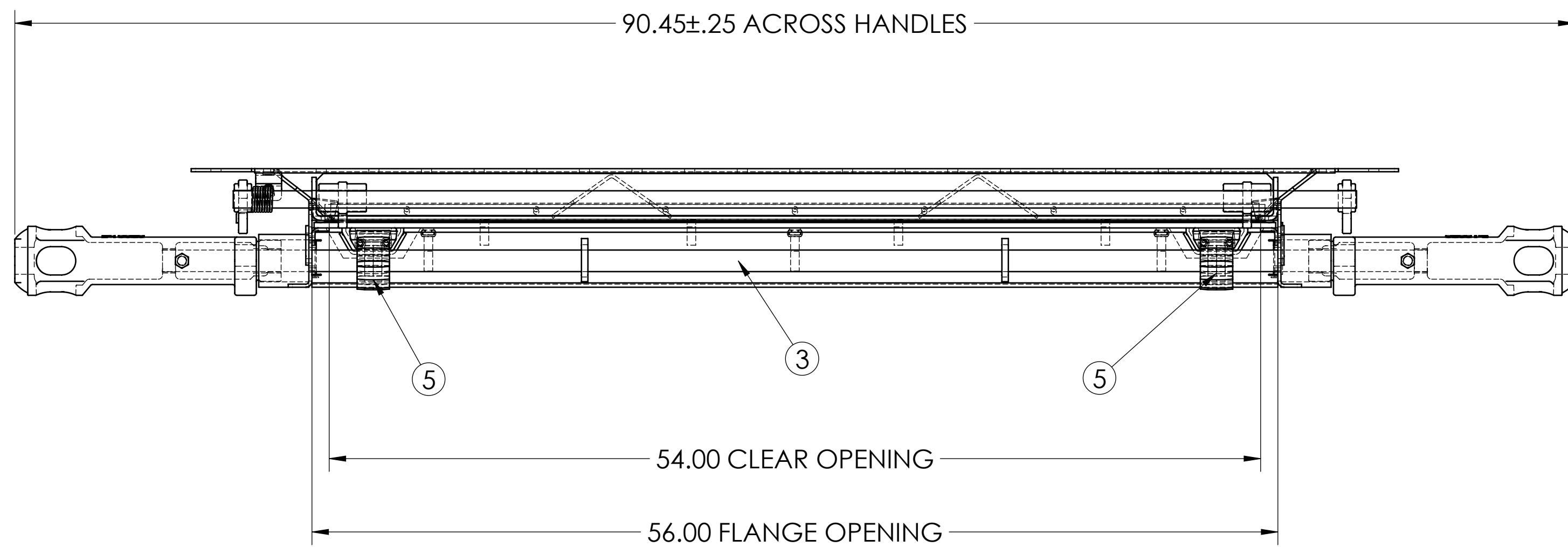
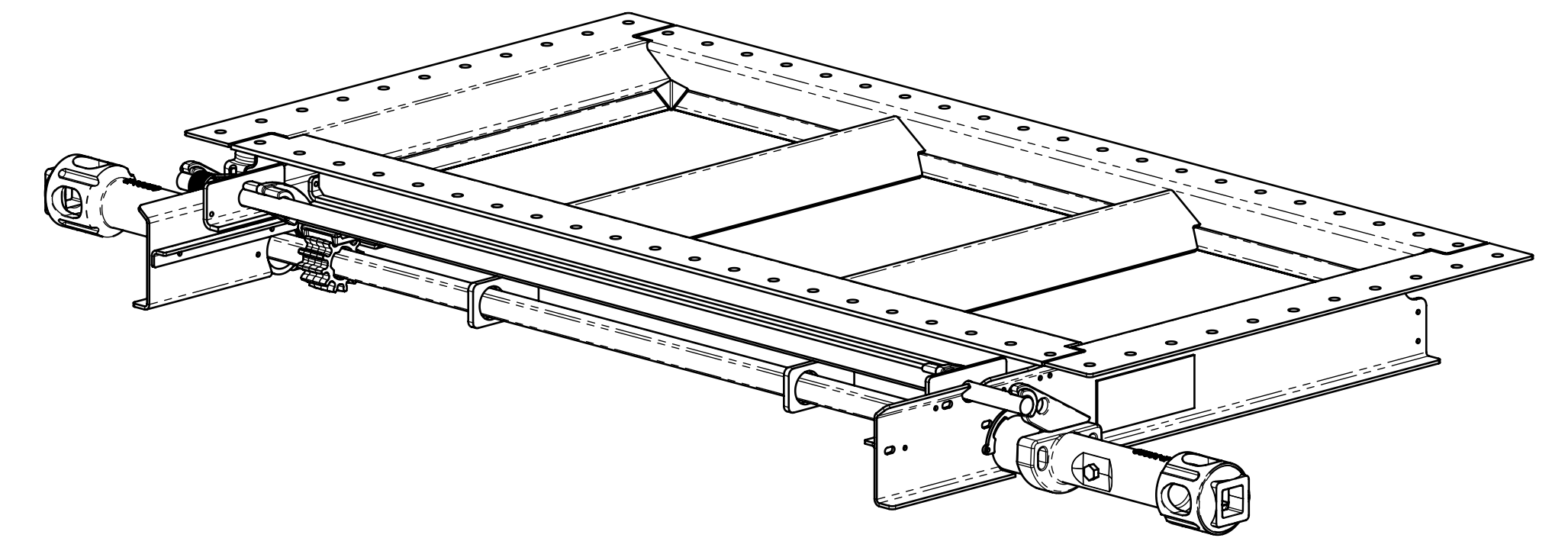


ITEM	QTY	PART NUMBER	DESCRIPTION	DRAWING NUMBER
1	1	MKE10572	FRAME ASSEMBLY WITH CLECO HOLES	M-169-22
2	1	MKE10558	DOOR ASSEMBLY	M-169-11
3	1	MKE10562	OPERATING SHAFT	25481
4	2	MKE10080	OPERATION HANDLE WITH ACTIVATION CAM	M-85-12
5	2	MKE10129	SLIP PINION, SYMMETRIC	M-85-53
6	2	P30000615	1/2 - 20 LCKNUT ZN	P30000615
7	2	P30000611	1/2-20 X3 HHCS ZN	P30000611
8	2	MKE10263	CARPET SEAL	M-85-21
9	2	MKE10561	CARPET SEAL	M-85-21
10	3	P10260003	DOOR SUPPORT RUNNER	M-85-39



THIS DRAWING IS THE PROPERTY OF MINER ENTERPRISES INC. WHO CLAIMS PROPRIETARY RIGHTS IN THE MATERIAL DISCLOSED. IT IS ISSUED IN CONFIDENCE FOR ENGINEERING INFORMATION ONLY AND MAY NOT BE COPIED OR USED FOR MANUFACTURE OF ANYTHING SHOWN WITHOUT SPECIFIC WRITTEN PERMISSION FROM MINER ENTERPRISES INC. COPYRIGHT MINER ENTERPRISES, INC. 2007.

DIMENSIONAL TOLERANCES
 ALL DIMENSIONS IN INCHES UNLESS OTHERWISE SPECIFIED
 UNLESS OTHERWISE SPECIFIED:
 2 PL. DEC.: ±0.06 TOLERANCES ARE NOT ACCUMULATIVE
 3 PL. DEC.: ±0.031 MILLIMETERS:
 ANGLES: ±1° MM 1 PL. DEC.: ±

MINER ENTERPRISES INC.
W. H. MINER DIVISION
 1200 EAST STATE STREET GENEVA, IL 60134

TITLE: 24 X 54 AutoLOK II WITH CLECO HOLES
 64 HOLE GATE ARRANGEMENT

PART: MKE10571 MATERIAL: SEE LIST
 WEIGHT: 512.09

DEVICE: 24 X 54 AutoLOK II WITH CLECO HOLES
 REFERENCE: SCALE: 1:6

DR BY: RMC DATE: 9/9/09 DT BY: BS SDP
 PART/CAT NO: MKE10571 DRAWING NO: M-169-21 REV: A