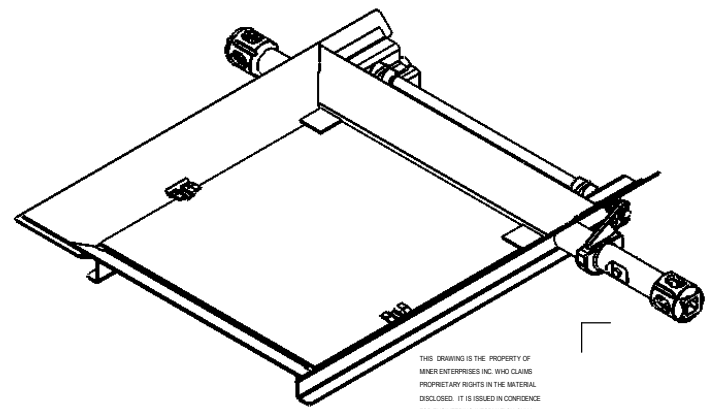
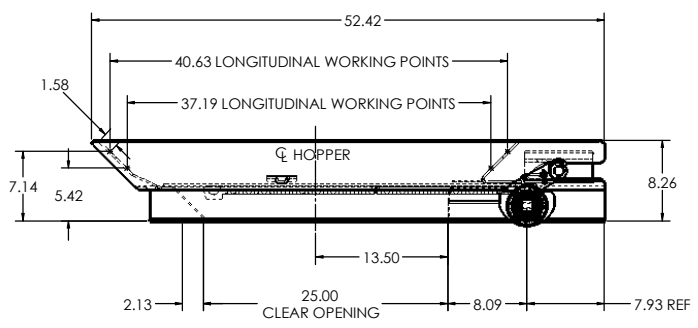
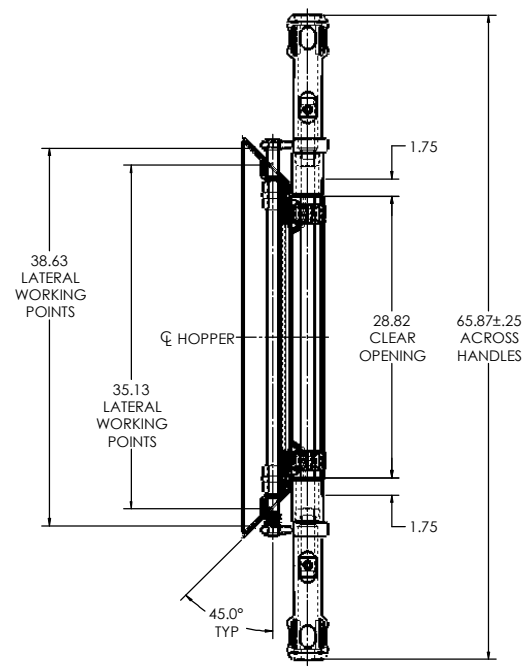
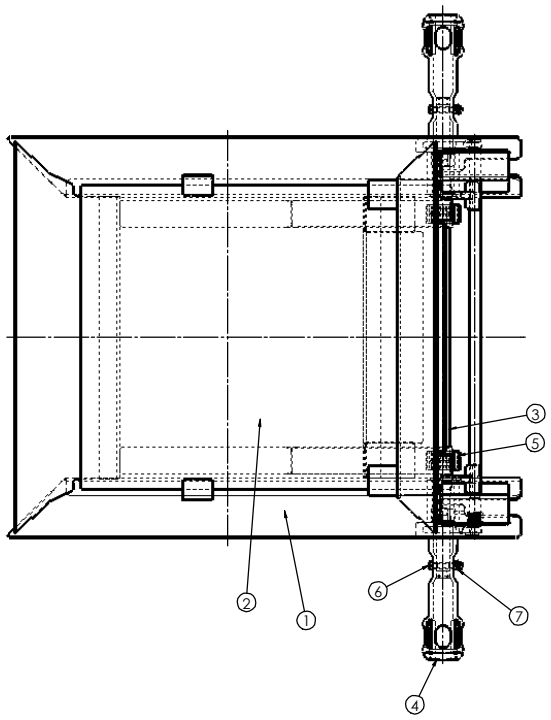


17 | 16 | 15 | 14 | 13 | 12 | 11 | 10 | 8 | 7 | 6 | 5 | 4 | 3 | 2 | 1



ITEM	QTY	PART NUMBER	DESCRIPTION	DRAWING NUMBER
1	1		24 X 30 BACKLOK FRAME ASSEMBLY	M-139-51
2	1	MKE10515	DOOR ASSEMBLY	M-139-52
3	1	MKE10517	OPERATING SHAFT	M-139-61
4	2	MKE-10080	OPERATING HANDLE	M-85-12
5	2	MKE-10129	SLIP PINION, SYMMETRIC	M-85-53
6	2	P30000611	1/2-20 X3 HHCS ZN	---
7	2	P30000615	1/2 - 20 LCKNUT ZN	---

THIS DRAWING IS THE PROPERTY OF MINER ENTERPRISES INC. WHO CLAIMS PROPRIETARY RIGHTS IN THE MATERIAL DISCLOSED. IT IS ISSUED IN CONFIDENCE FOR ENGINEERING INFORMATION ONLY AND MAY NOT BE COPIED OR USED FOR MANUFACTURE OF ANYTHING OTHER THAN WITHOUT SPECIFIC WRITTEN PERMISSION FROM MINER ENTERPRISES INC. COPYRIGHT MINER ENTERPRISES, INC. 2007

DIMENSIONAL TOLERANCES
 ALL DIMENSIONS UNLESS OTHERWISE SPECIFIED
 UNLESS OTHERWISE SPECIFIED: DIMENSIONS ARE NOT ACCURATE
 DIM. DEC: 0.004
 DIM. DEC: 0.004
 ANG. DEC: 0.1°

MINER
 W. H. MINER DIVISION
 1200 EAST STATE STREET GENEVA, IL 60134

24 X 30 BACKLOK GATE ARRANGEMENT

ITEM	MKE10514	SEE LIST
QTY	337.50	
24 X 30 BACKLOK		
SCALE	1/4"	1/4"
DATE	5/23/07	BS
REV		
MKE10514	M-139-62	A