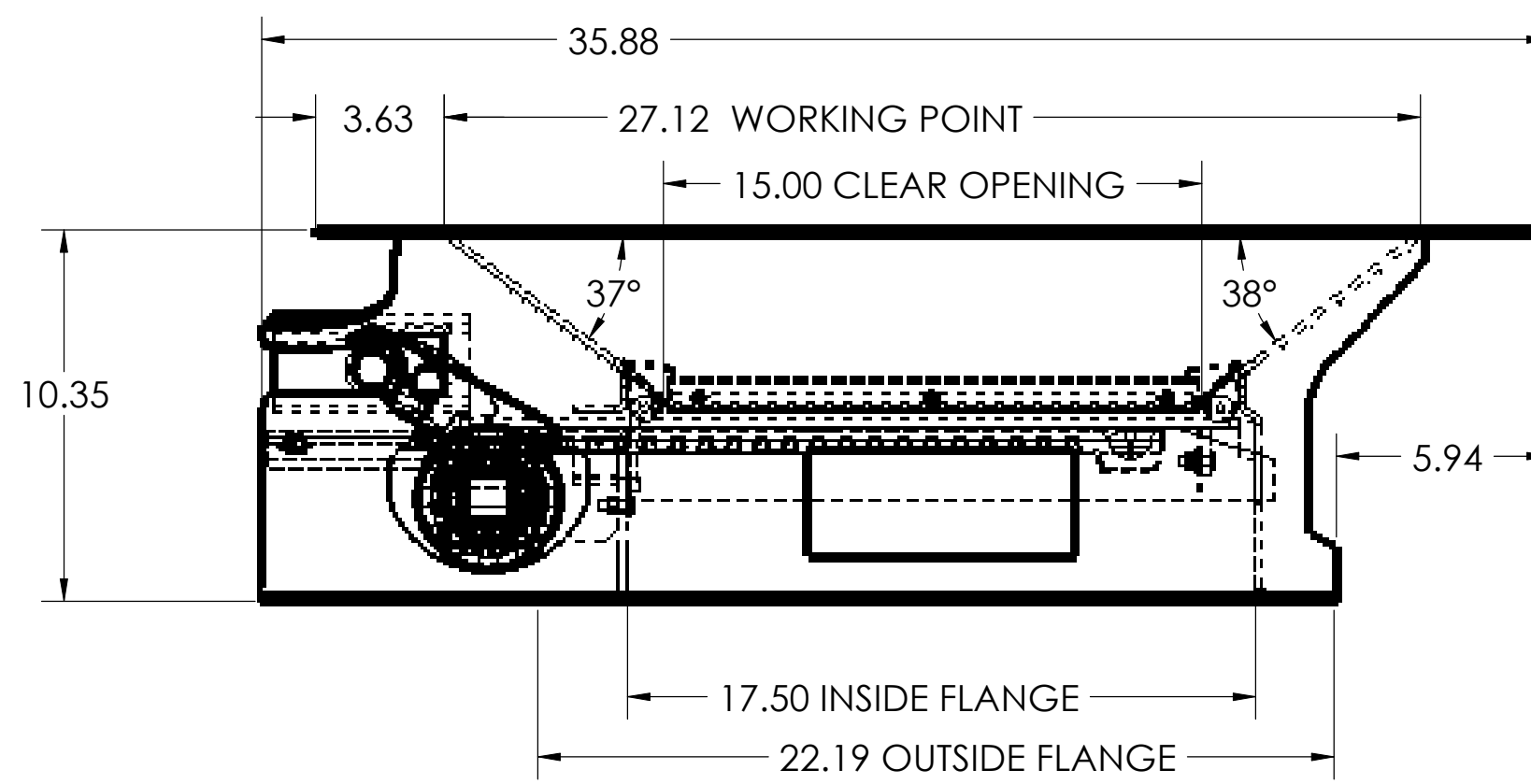
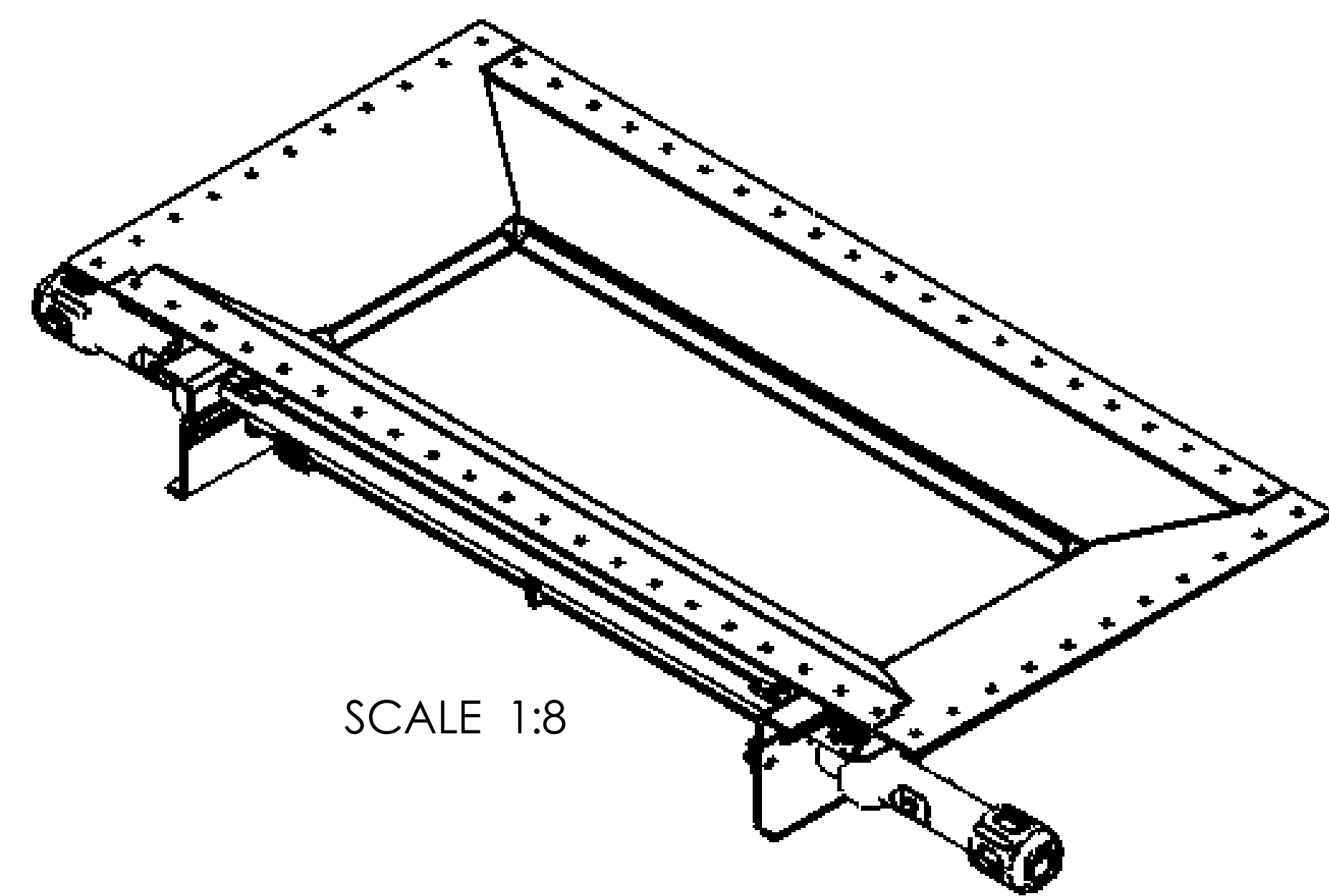


NOTE: GATE FLANGE TO BE FLAT TO +/- 1/16".

ITEM	MKE-10513 QTY.	MKE-10512 QTY.	PART NUMBER	DESCRIPTION	DRAWING NUMBER
1	1	-	FOR MKE-10513	FRAME ASS'Y (FOR BRUSH)	M-159-2
1	-	1	FOR MKE-10512	FRAME ASS'Y	M-159-2
2	1	1	MKE-7551	OPERATING SHAFT	25481
3	2	2	MKE-10080	OPERATING HANDLE	M-85-12
4	2	2	P30000611	1/2-20 X3 HHCS ZN	P30000611
5	2	2	P30000615	1/2 - 20 LCKNUT ZN	P30000615
6	2	2	MKE-10129	SLIP PINION, SYMMETRIC	M-85-53
7	2	2	MKE-10404	SEAL	M-85-21
8	2	2	MKE-10316	SEAL	M-85-21
9	2	-	P10415001	BOTTOM SEAL	99-59-1
10	2	-	P10252004	BOTTOM SEAL (SHORT)	99-59-2
11	10	-	P30000203	1/4-20 LOCKNUT ZN	P30000203
12	10	-	P30000207	1/4-20 X 7/8 HHCS	P30000207
13	1	1	MKE-10406	DOOR ASSEMBLY	M-99-106



THIS DRAWING IS THE PROPERTY OF MINER ENTERPRISES INC. WHO CLAIMS PROPRIETARY RIGHTS IN THE MATERIAL DISCLOSED. IT IS ISSUED IN CONFIDENCE FOR ENGINEERING INFORMATION ONLY AND MAY NOT BE COPIED OR USED FOR MANUFACTURE OF ANYTHING SHOWN WITHOUT SPECIFIC WRITTEN PERMISSION FROM MINER ENTERPRISES INC. COPYRIGHT MINER ENTERPRISES, INC. 2003.

DIMENSIONAL TOLERANCES
ALL DIMENSIONS IN INCHES UNLESS OTHERWISE SPECIFIED
UNLESS OTHERWISE SPECIFIED:
2 PL. DEC: ±0.06
3 PL. DEC: ±0.031
ANGLES: ±1°
MILLIMETERS: ±0.13
TOLERANCES ARE NOT ACCUMULATIVE



W. H. MINER DIVISION

1200 EAST STATE STREET GENEVA, IL 60134

GATE ARRANGEMENT

PART	SEE BOM	MATERIAL	SEE LIST
WEIGHT	411.36		
DEVICE	LOW PROFILE 13X42 AL II		
REFERENCE		SCALE	1:5
DR BY	RSF	DATE	24 APR 07
DR BY		CHK BY	PJ
PART/CAT NO.	SEE BOM	DRAWING NO.	M-159-10
		REV.	