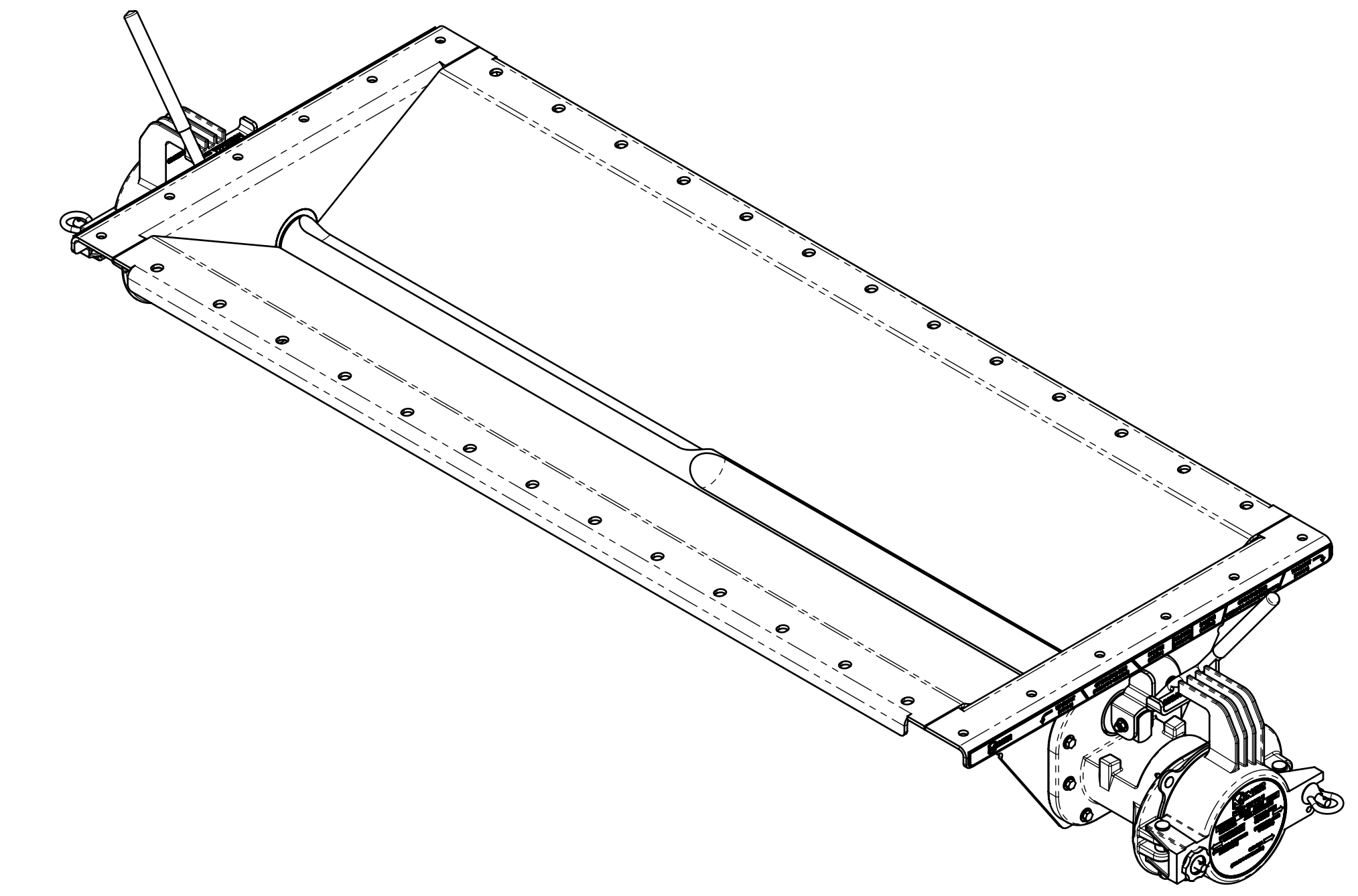
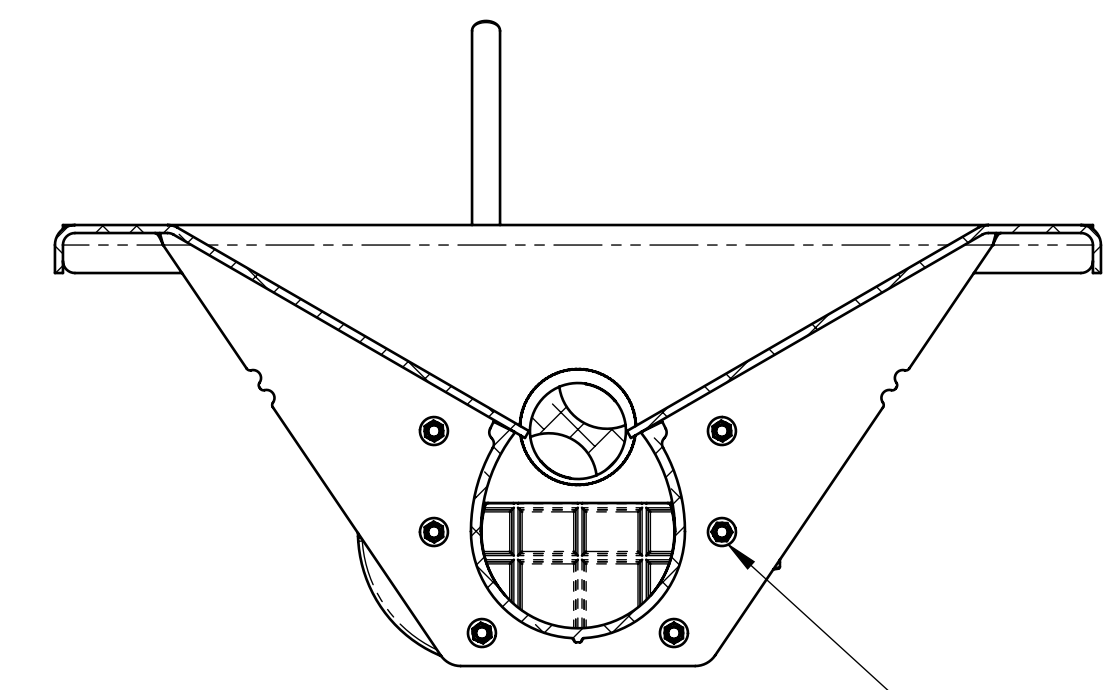
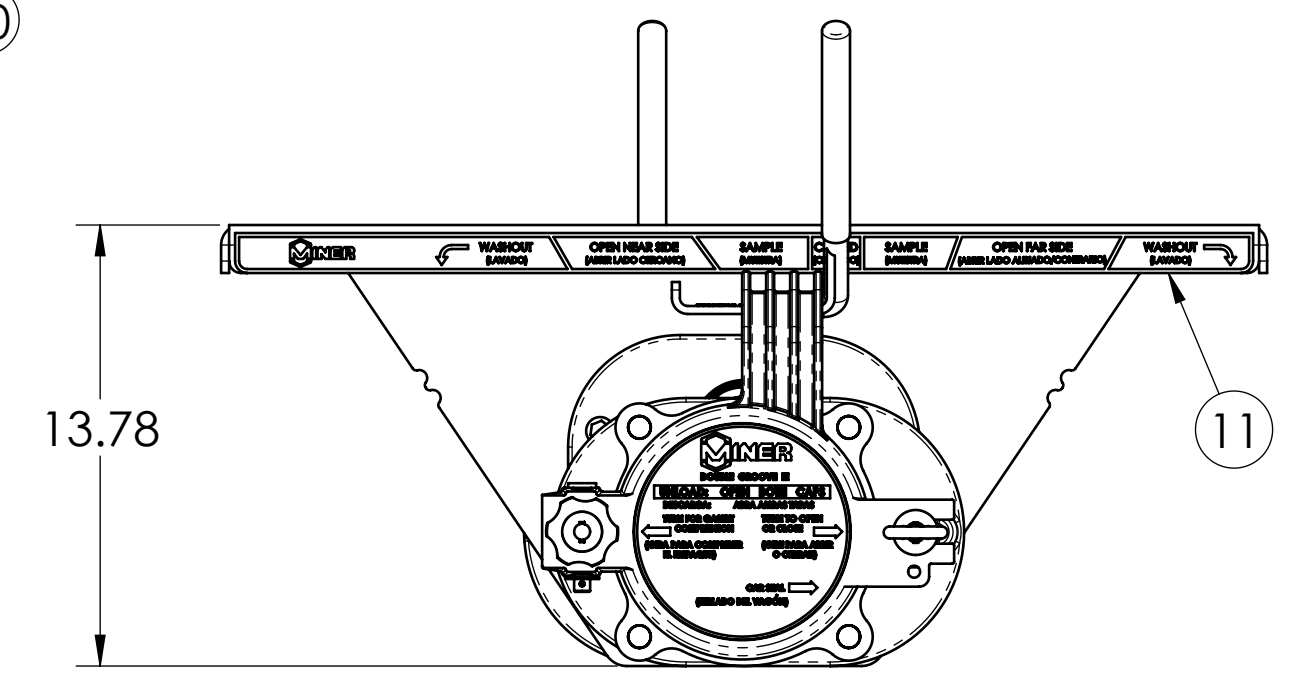
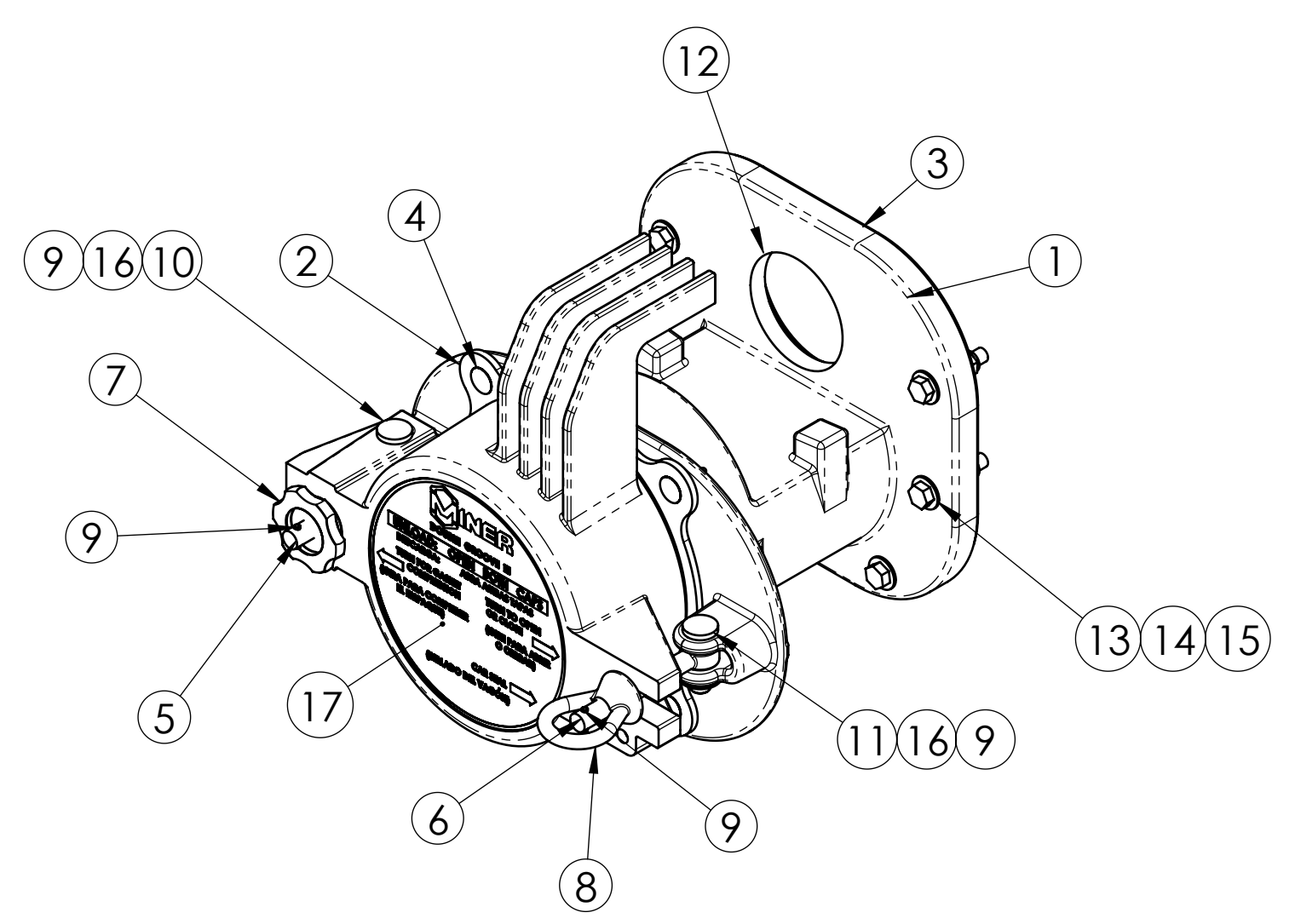


ITEM	MKE10483-1/QTY.	PART NUMBER	DESCRIPTION	DRAWING NUMBER
1	1	P10483005	SLOPE SHEET ASSEMBLY, PLAIN FINISH	M-157-50
2	-	MKE10494	TRANSITION TUBE (ANODIZED), WITH CAP AND HARDWARE	M-157-3
2	2	MKE10492	TRANSITION TUBE (PLAIN FINISH), WITH CAP AND HARDWARE	M-157-3
3	2	P10465008	HANDLE GRIP	M-157-28
4	2	P30000443	3/8-16 X 2-1/4 HHCS OR SHCS, SS	P30000443
5	2	P30000423	3/8-16 NYLOK NUT 18-8 SS	P30000423
6	4	P30000445	WASHER, 3/8", SS OR CAD	P30000445
7	1	P10483004	VALVE 3" DIA.	M-157-11
8	2	MKE10469	ECCENTRIC VALVE SEAL	M-157-14
9	1	P74800052	DECAL for MKE10483	M-74-13
* 10	2	MKE10466-1	GATE HANDLE	M-157-9
11	2	P10466000	VALVE INDICATOR LABEL	P10466000

* NOTE: PART NUMBER MKE10446-1 IS INTERCHANGEABLE WITH MKE10821 (DWG# MKE10821).
REPLACEMENT HANDLE WITH GRIP: MKE10466 OR MKE10868



1. APPLY A SMALL AMOUNT OF ANTI-SEIZE TO THREADS.
2. TIGHTEN IN AN ALTERNATING PATTERN.
3. TORQUE TO 50-70 FOOT POUNDS.
4. RETORQUE AFTER 1 HOUR.



TRANSITION TUBE ASSEMBLY

ITEM	MKE10492/QTY	PART NUMBER	DESCRIPTION	DRAWING NUMBER
1	1	MKE10476	TRANSITION TUBE W/VACUUM NECK, PLAIN FINISH	M-157-4
2	1	MKE10468	CLOSURE CAP GASKET	M-157-13
3	1	MKE10467	BOLTING FLANGE GASKET	M-157-12
4	4	P30000230	RATCHET FASTENER	M-157-25
5	1	P30000661	ROD END, 3.62L X 1/2 DIA.	M-157-24
6	1	P30000660	ROD END 4.25L X 1/2 DIA	M-157-24
7	1	P30000659	COMPRESSION KNOB	M-157-21
8	1	P30000658	EYE NUT, 1/2-13 UNC	M-157-20
9	4	P30000120	COIL PIN, ϕ .156 X 5/8", SS	M-157-112
10	1	P30000657	CLEVIS PIN, 3.25L, 1/2 DIA.	M-157-29
11	1	P30000656	CLEVIS PIN, 1.75L X 1/2 DIA.	M-157-29
12	1	MKE10471	VALVE SEAL ASSEMBLY GASKET	M-157-18
13	12	P30000445	WASHER, 3/8", SS OR CAD	P30000445
14	6	P30000460	3/8-16 X 2 HHCS OR SHCS, SS	P30000460
15	6	P30000423	3/8-16 NYLOK NUT 18-8 SS	P30000423
16	2	P30000662	WASHER, 1/2 SAE, Zn PLATE	P30000662
17	1	MKE10470-1	CAP W/LABEL	M-157-17-1

THIS DRAWING IS THE PROPERTY OF MINER ENTERPRISES INC. WHO CLAIMS PROPRIETARY RIGHTS IN THE MATERIAL DISCLOSED. IT IS ISSUED IN CONFIDENCE FOR ENGINEERING INFORMATION ONLY AND MAY NOT BE COPIED OR USED FOR MANUFACTURE OF ANYTHING SHOWN WITHOUT SPECIFIC WRITTEN PERMISSION FROM MINER ENTERPRISES INC. COPYRIGHT MINER ENTERPRISES, INC. 2004.

MINER ENTERPRISES INC.
W. H. MINER DIVISION
1200 EAST STATE STREET GENEVA, IL 60134

THIS DRAWING IS THE PROPERTY OF MINER ENTERPRISES INC. WHO CLAIMS PROPRIETARY RIGHTS IN THE MATERIAL DISCLOSED. IT IS ISSUED IN CONFIDENCE FOR ENGINEERING INFORMATION ONLY AND MAY NOT BE COPIED OR USED FOR MANUFACTURE OF ANYTHING SHOWN WITHOUT SPECIFIC WRITTEN PERMISSION FROM MINER ENTERPRISES INC. COPYRIGHT MINER ENTERPRISES, INC. 2004.

SCALE: 1:6
DATE: 4/27/12
REV: H

E MKE10483-1