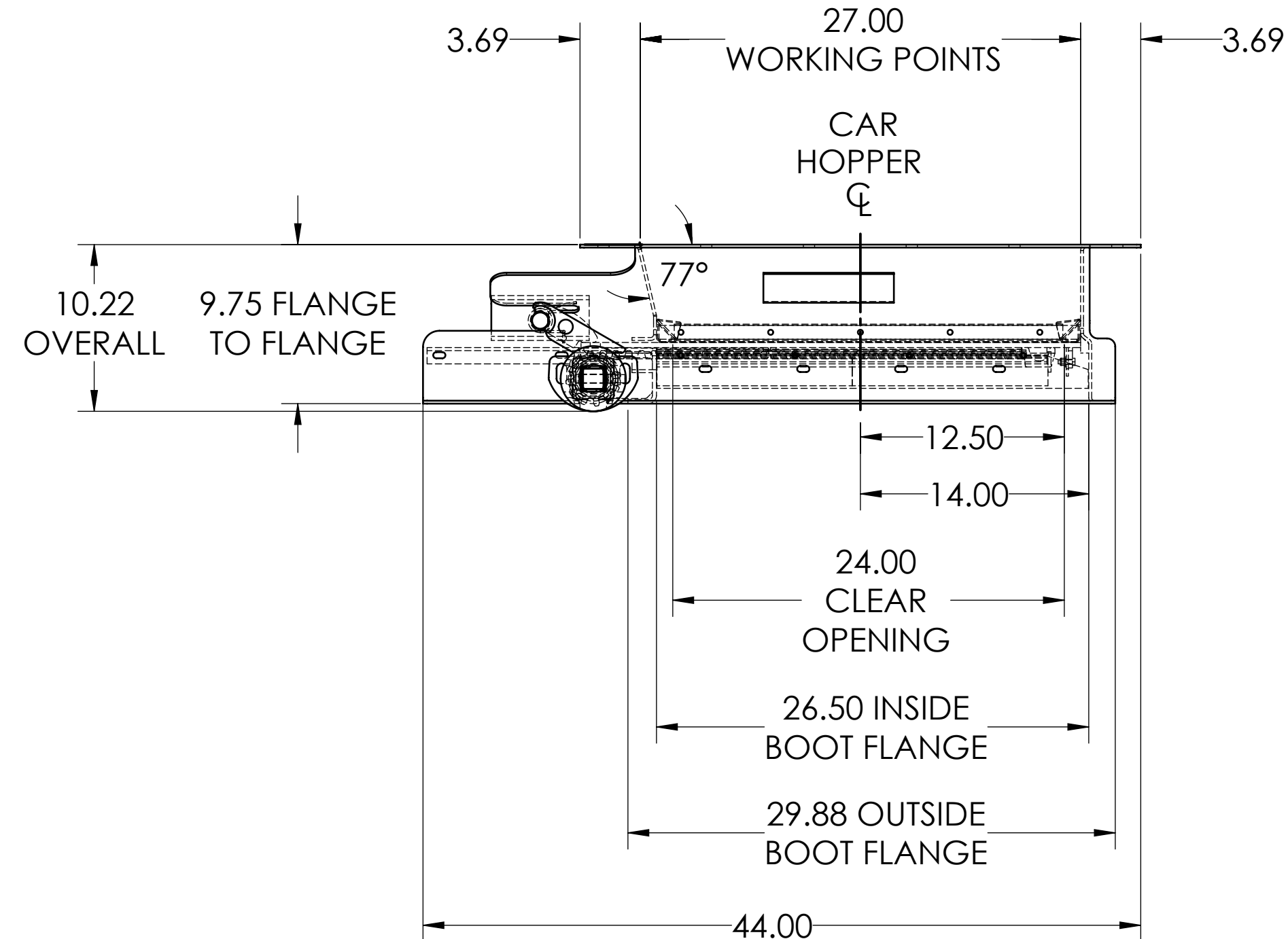
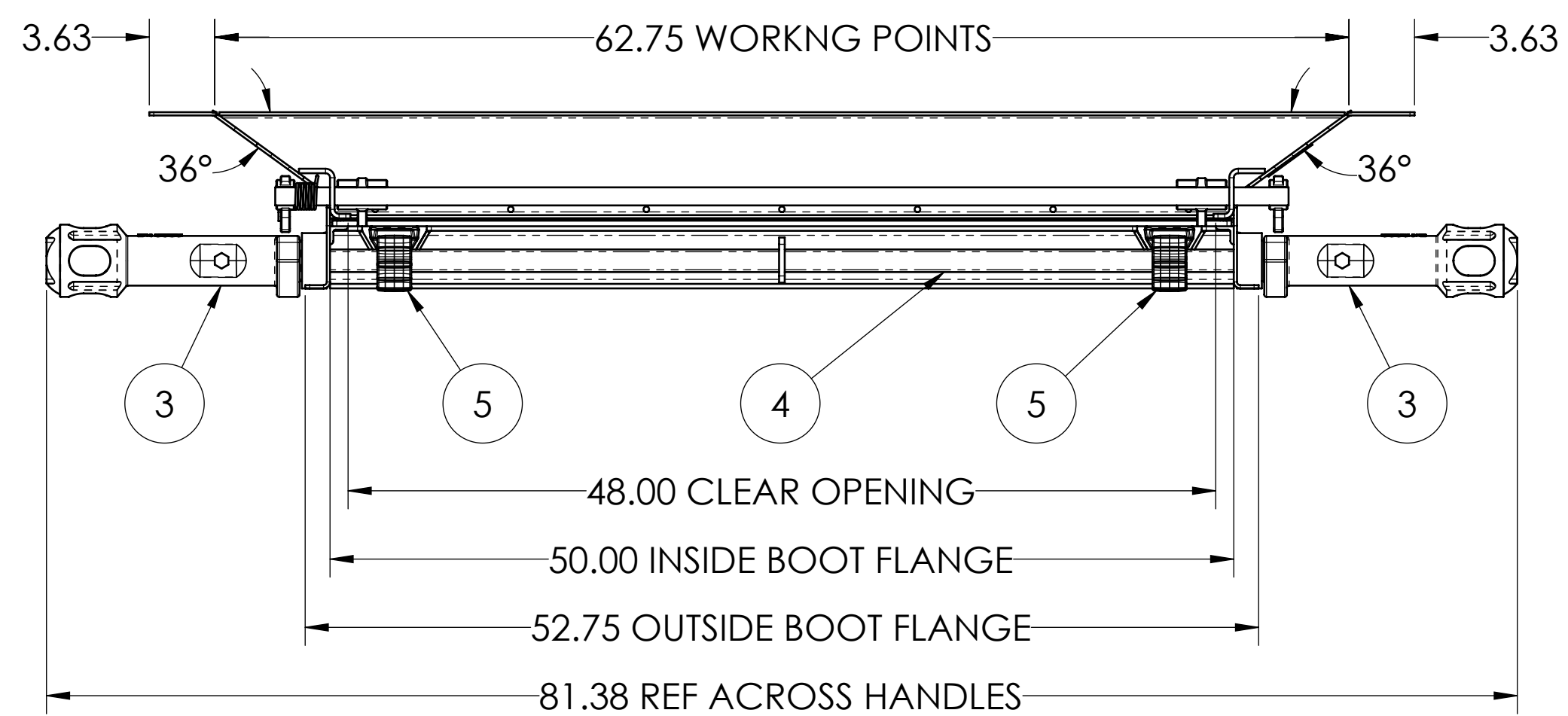


ITEM	QTY	PART NUMBER	DESCRIPTION	DRAWING NUMBER
1	1	MKE10259S	FRAME ASSEMBLY	MKE10259S
2	1	MKE10261SS	DOOR ASSEMBLY	M-92-41
3	2	MKE10080	OPERATING HANDLE WITH ACTIVATION CAM	M-85-12
4	1	MKE10262	OPERATING SHAFT	25481
5	2	MKE10129	SLIP PINION, SYMMETRIC	M-85-53
6	1	P10260003	DOOR SUPPORT RUNNER	M-85-39
7	2	P10260002	UHMW-PE RUNNER	M-99-64
8	2	P30000615	1/2-20 LOCKNUT ZN	P30000615
9	2	P30000611	1/2-20 X3 HHCS ZN	P30000611
10	8	P30000151	#12 HHSMS ZN PLT	P30000151
11	2	MKE10263SS	CARPET SEAL	M-85-21
12	2	MKE10264SS	CARPET SEAL	M-85-21



NOTE:
ALL METAL ITEMS IN THE COMMODITY PATH ARE STAINLESS STEEL.

THIS DRAWING IS THE PROPERTY OF MINER ENTERPRISES INC. WHO CLAIMS PROPRIETARY RIGHTS IN THE MATERIAL DISCLOSED. IT IS ISSUED IN CONFIDENCE FOR ENGINEERING INFORMATION ONLY AND MAY NOT BE COPIED OR USED FOR MANUFACTURE OF ANYTHING SHOWN WITHOUT SPECIFIC WRITTEN PERMISSION FROM MINER ENTERPRISES INC. COPYRIGHT MINER ENTERPRISES, INC. 2007.

DIMENSIONAL TOLERANCES			
ALL DIMENSIONS IN INCHES UNLESS OTHERWISE SPECIFIED			
UNLESS OTHERWISE SPECIFIED:		TOLERANCES ARE NOT ACCUMULATIVE	
2 PL. DEC:	±0.06	MILLIMETERS:	±0.13
3 PL. DEC:	±0.031	MILLIMETERS:	±0.076
ANGLES:	±1	MILLIMETERS:	±0.13
 W. H. MINER DIVISION			
1200 EAST STATE STREET		GENEVA, IL 60134	
24 X 48 GATE ARRANGEMENT			
PN	MKE10260S	MATERIAL	SEE BOM
DEVICE	AutoLOK II		
REFERENCE	SCALE 1:8		
MODELED BY	DD	DATE	3/28/2017
DESIGNED BY	DD	APPROVED BY	NBE
DRAWING NO.	MKE10260S		REV A