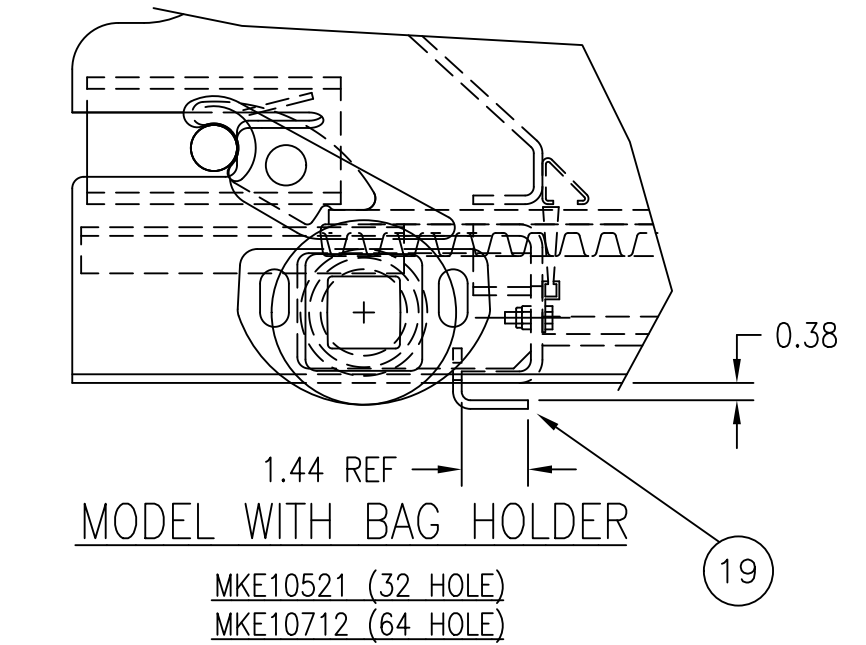


MINER ENTERPRISES  
PART NO: MKE-XXXXX  
MADE IN USA  
XX/XX

NAME TAG ON GATE  
SLOPE SHEET  
VIEW A-A



- NOTES:  
1. GATE IS DESIGNED WITH CLEARANCE TO ACCOMMODATE HIGH-BUILD COATINGS, I.E. CARBOLINE EPOXY LINING  
2. FOR GATES EQUIPPED WITH STAINLESS STEEL DOOR, SEE PIN MKE10727 ON DRAWING M-99-134/M-99-135.

MKE10507 (32) Ø0.69 HOLES AutoLOK II FOR LINING				
ITEM	QTY	PART NO.	DESCRIPTION	DRAWING NO.
1	1		FRAME ASSEMBLY (32 HOLE)	M-99-52
2	1	MKE10179-2	DOOR ASSEMBLY (SIDE RUNNER)	M-99-33-2
3	2	MKE10080	OPERATING HANDLE	M-85-12
4	1	MKE10119	OPERATING SHAFT	M-99-25
5	2	MKE10129	PINION	M-85-53
6	2	P30000611	1/2-20 X 3 HHCS	
7	2	P30000615	1/2-20 ELASTIC STOP NUT	
8	2	MKE10121SS	SEAL (SIDE)(STAINLESS ROD)	M-85-21
9	2	MKE10122SS	SEAL (END)(STAINLESS ROD)	M-85-21
10	2	P10237005	UHMW-PE RUNNER	M-99-64
11	1	P10237003	UHMW-PE RUNNER	M-85-39
12	4	P30000151	#12 x 1 HH SHT METAL SCREW	
13	2	P10342001	BUMP GUARD	M-85-81
14	2	P30000214	1/4-20 X 1-1/2 HHCS Zn	
15	2	P30000203	1/4-20 NYLOCK NUT, Zn	
16	7	P30000280	BUTTON GLIDE	
MKE10447 (64) Ø0.56 HOLES - SAME AS MKE10507 EXCEPT:				
ITEM	QTY	PART NO.	DESCRIPTION	DRAWING NO.
1	1		FRAME ASSEMBLY (64 HOLE)	M-99-52
MKE10521 (32) Ø0.69 HOLES W/BRUSH SEALS & BAG HOLDER SAME AS MKE-10507 EXCEPT:				
ITEM	QTY	PART NO.	DESCRIPTION	DRAWING NO.
1	1		FRAME ASSEMBLY (32 HOLE)	M-99-52
15	12	P30000203	1/4-20 NYLOCK NUT Zn	
16	10	P30000207	1/4-20 X 7/8 HHCS	
17	2	P10252003	BOTTOM SEAL	M-99-59-1
18	2	P10252004	BOTTOM SEAL (SHORT)	M-99-59-2
19	1	P10115018	BAG HOLDER	M-99-10
MKE10712 (64) Ø0.56 HOLES - SAME AS MKE10521 EXCEPT:				
ITEM	QTY	PART NO.	DESCRIPTION	DRAWING NO.
1	1		FRAME ASSEMBLY (64 HOLE)	M-99-52

**DIMENSIONAL TOLERANCES**  
ALL DIMENSIONS IN INCHES UNLESS OTHERWISE SPECIFIED  
UNLESS OTHERWISE SPECIFIED: TOLERANCES ARE NOT ACCUMULATIVE  
2 PL. DEC.: ±0.06  
3 PL. DEC.: ±0.031  
ANGLES: ±1  
MILLIMETERS: MM 1 PL. DEC.: ±X.X

**MINER ENTERPRISES INC.**  
W. H. MINER DIVISION  
1200 EAST STATE STREET GENEVA, IL 60134  
TITLE: 13 x 42 GATE ARRANGEMENT

PART: SEE LIST MATERIAL: SEE LIST  
WEIGHT: 361#  
DEVICE: SIDE RUNNER 13 x 42 AutoLOK II  
REFERENCE: SCALE: QUARTER

DR BY: BS DATE: 16 DEC 99 CH: BS SCH: BS  
PART / CAT NO.: DRAWING NO.: M-99-54  
REV. J

THIS DRAWING IS THE PROPERTY OF MINER ENTERPRISES INC. WHO CLAIMS PROPRIETARY RIGHTS IN THE MATERIAL DISCLOSED. IT IS ISSUED IN CONFIDENCE FOR ENGINEERING INFORMATION ONLY AND MAY NOT BE COPIED OR USED FOR MANUFACTURE OF ANYTHING SHOWN WITHOUT SPECIFIC WRITTEN PERMISSION FROM MINER ENTERPRISES INC. COPYRIGHT MINER ENTERPRISES, INC. 1998.