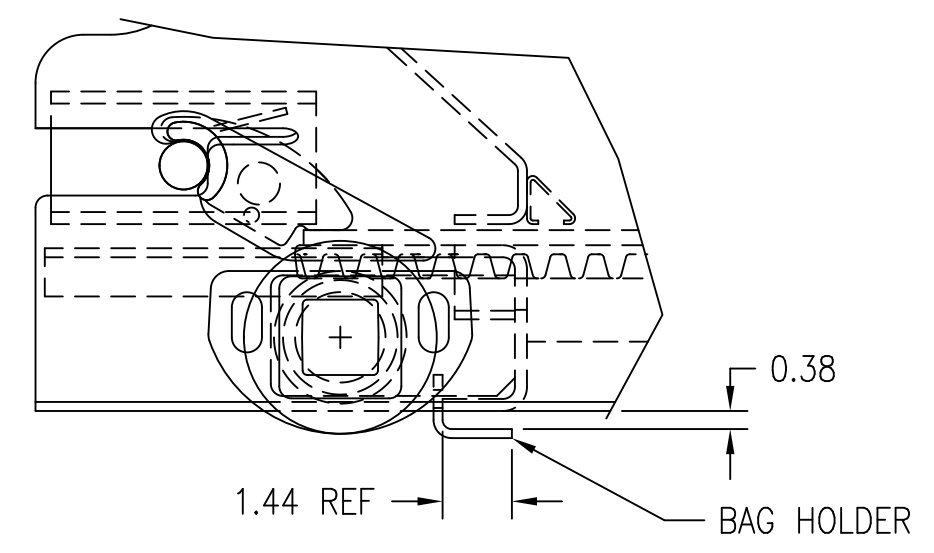


±0.063

MINER ENTERPRISES
PART NO: MKE-XXXX
MADE IN USA
XX/XX

NAME TAG ON GATE
SLOPE SHEET
VIEW A-A



MODELS WITH BAG HOLDER
MKE10182B (32 HOLE)
MKE10183B (64 HOLE)

NOTE: GATE FLANGE TO BE FLAT
+/-0.063

THIS DRAWING IS THE PROPERTY OF
MINER ENTERPRISES INC. WHO CLAIMS
PROPRIETARY RIGHTS IN THE MATERIAL
DISCLOSED. IT IS ISSUED IN CONFIDENCE
FOR ENGINEERING INFORMATION ONLY
AND MAY NOT BE COPIED OR USED FOR
MANUFACTURE OF ANYTHING SHOWN
WITHOUT SPECIFIC WRITTEN PERMISSION
FROM MINER ENTERPRISES INC.
COPYRIGHT MINER ENTERPRISES, INC. 1996.

MKE-10180B (32) Ø0.69 HOLES				
ITEM	QTY	PART NO.	DESCRIPTION	DRAWING NO.
1	1		FRAME ASSEMBLY (32 HOLE)	M-99-35
2	1	MKE10179	DOOR ASSEMBLY	M-99-33
3	1	P10115015	HOPPER SUPPORT ASS'Y	M-99-18
4	2	MKE10080	OPERATING HANDLE	M-85-12
5	2	MKE10129	PINION	M-85-53
6	1	MKE10119	OPERATING SHAFT	M-99-25
7	2	P30000611	1/2-20 X 3 HHCS	
8	2	P30000615	1/2-20 ELASTIC STOP NUT	
9	2	MKE10122	SEAL (END)	M-99-21
10	2	MKE10121	SEAL (SIDE)	M-99-21

MKE-10181B (64) Ø0.56 HOLES				
ITEM	QTY	PART NO.	DESCRIPTION	DRAWING NO.
1	1		FRAME ASSEMBLY (64 HOLE)	M-99-35
2	1	MKE10179	DOOR ASSEMBLY	M-99-33
3	1	P10115015	HOPPER SUPPORT ASS'Y	M-99-18
4	2	MKE10080	OPERATING HANDLE	M-85-12
5	2	MKE10129	PINION	M-85-53
6	1	MKE10119	OPERATING SHAFT	M-99-25
7	2	P30000611	1/2-20 X 3 HHCS	
8	2	P30000615	1/2-20 ELASTIC STOP NUT	
9	2	MKE10122	SEAL (END)	M-99-21
10	2	MKE10121	SEAL (SIDE)	M-99-21

MKE-10182B (32) Ø0.69 HOLES - SAME AS MKE10180B EXCEPT:				
11	1	P10115018	BAG HOLDER	M-99-10

MKE-10183B (64) Ø0.56 HOLES - SAME AS MKE10181B EXCEPT:				
11	1	P10115018	BAG HOLDER	M-99-10

MKE-10181C (64) Ø0.56 HOLES				
ITEM	QTY	PART NO.	DESCRIPTION	DRAWING NO.
1	1		FRAME ASSEMBLY (64 HOLE)	M-99-35
2	1	MKE10179CU	DOOR ASSEMBLY	M-99-33
3	1	P10115015CU	HOPPER SUPPORT ASS'Y	M-99-18
4	2	MKE10080	OPERATING HANDLE	M-85-12
5	2	MKE10129	PINION	M-85-53
6	1	MKE10119	OPERATING SHAFT	M-99-25
7	2	P30000611	1/2-20 X 3 HHCS	
8	2	P30000615	1/2-20 ELASTIC STOP NUT	
9	2	MKE10122	SEAL (END)	M-99-21
10	2	MKE10121	SEAL (SIDE)	M-99-21

DIMENSIONAL TOLERANCES	
ALL DIMENSIONS IN INCHES UNLESS OTHERWISE SPECIFIED UNLESS OTHERWISE SPECIFIED:	
2 PL. DEC.: ±0.06	TOLERANCES ARE NOT ACCUMULATIVE
3 PL. DEC.: ±0.031	
ANGLES: ±1	MILLIMETERS: MM 1 PL. DEC.: ±X.X

MINER ENTERPRISES INC.

W. H. MINER DIVISION

1200 EAST STATE STREET GENEVA, IL 60134

TITLE: 13 x 42 GATE ARRANGEMENT

PART: SEE LIST MATERIAL: SEE LIST

WEIGHT: 365#

DEVICE: 13 x 42 AutoLOK II

REFERENCE: SCALE: QUARTER

DR BY: PJ DATE: 28 APR 98 CH BY: BS SCH: F

DRAWING NO.: M-99-46 REV. F