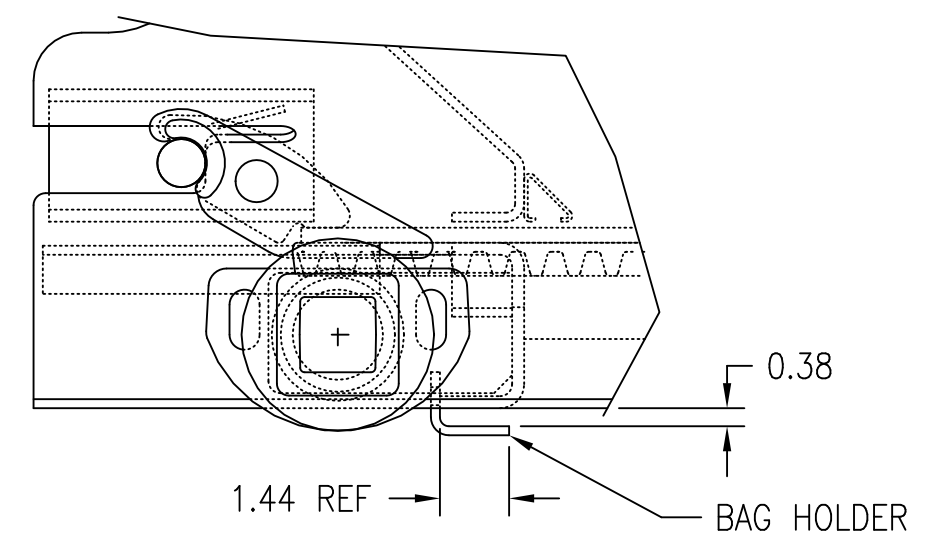
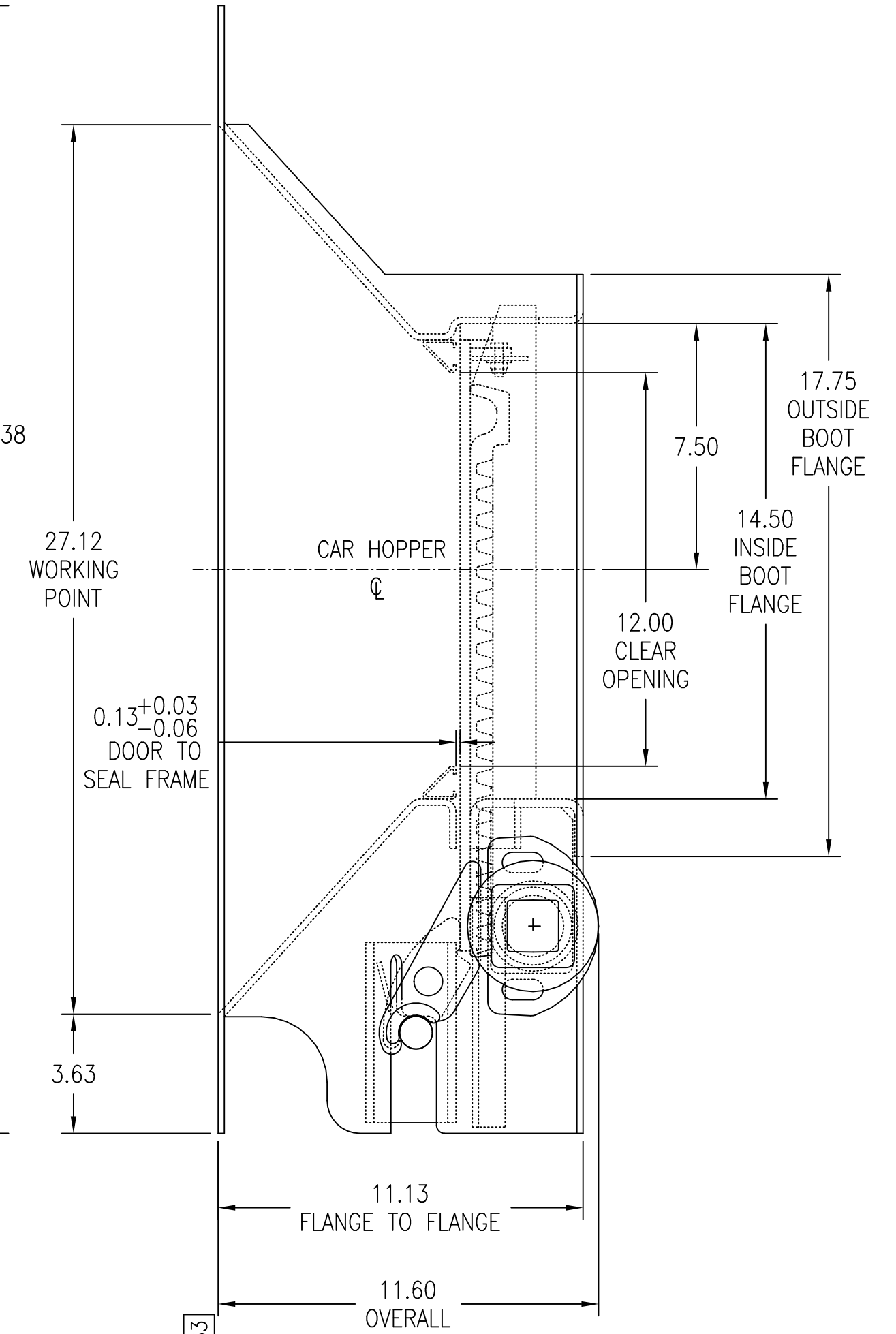


Ø0.56 (64) PLCS  
OR  
Ø0.69 (32) PLCS

MINER ENTERPRISES  
PART NO: MKE-XXXX  
MADE IN USA  
XX/XX

NAME TAG ON GATE  
SLOPE SHEET  
VIEW A-A



MODELS WITH BAG HOLDER  
MKE10182 (32 HOLE)  
MKE10183 (64 HOLE)

THIS DRAWING IS THE PROPERTY OF  
MINER ENTERPRISES INC. WHO CLAIMS  
PROPRIETARY RIGHTS IN THE MATERIAL  
DISCLOSED. IT IS ISSUED IN CONFIDENCE  
FOR ENGINEERING INFORMATION ONLY  
AND MAY NOT BE COPIED OR USED FOR  
MANUFACTURE OF ANYTHING SHOWN  
WITHOUT SPECIFIC WRITTEN PERMISSION  
FROM MINER ENTERPRISES INC.  
COPYRIGHT MINER ENTERPRISES, INC. 1998.

MKE-10180 (32) Ø0.69 HOLES				
ITEM	QTY	PART NO.	DESCRIPTION	DRAWING NO.
1	1	MKE10187	FRAME ASSEMBLY (32 HOLE)	M-99-36
2	1	MKE10179	DOOR ASSEMBLY	M-99-33
3	2	MKE10080	OPERATING HANDLE	M-85-12
4	1	MKE10119	OPERATING SHAFT	M-99-25
5	2	MKE10129	PINION	M-85-53
6	2	P30000611	1/2-20 X 3 HHCS	
7	2	P30000615	1/2-20 ELASTIC STOP NUT	
8	2	MKE10121	SEAL (SIDE)	M-99-21
9	2	MKE10122	SEAL (END)	M-99-21

MKE-10181 (64) Ø0.56 HOLES				
ITEM	QTY	PART NO.	DESCRIPTION	DRAWING NO.
1	1	MKE10188	FRAME ASSEMBLY (64 HOLE)	M-99-36
2	1	MKE10179	DOOR ASSEMBLY	M-99-33
3	2	MKE10080	OPERATING HANDLE	M-85-12
4	1	MKE10119	OPERATING SHAFT	M-99-25
5	2	MKE10129	PINION	M-85-53
6	2	P30000611	1/2-20 X 3 HHCS	
7	2	P30000615	1/2-20 ELASTIC STOP NUT	
8	2	MKE10121	SEAL (SIDE)	M-99-21
9	2	MKE10122	SEAL (END)	M-99-21

MKE-10182 (32) Ø0.69 HOLES - SAME AS MKE10180 EXCEPT:				
10	1	P10115018	BAG HOLDER	M-99-10

MKE-10183 (64) Ø0.56 HOLES - SAME AS MKE10181 EXCEPT:				
10	1	P10115018	BAG HOLDER	M-99-10

MKE-10180A (32) Ø0.69 HOLES				
ITEM	QTY	PART NO.	DESCRIPTION	DRAWING NO.
1	1		FRAME ASSEMBLY (32 HOLE)	M-99-36
2	1	MKE10179SS	DOOR ASSEMBLY	M-99-33
3	2	MKE10080	OPERATING HANDLE	M-85-12
4	1	MKE10119	OPERATING SHAFT	M-99-25
5	2	MKE10129	PINION	M-85-53
6	2	P30000649	1/2-20 X 3 HHCS, SS	
7	2	P30000650	1/2-20 LOCK NUT, SS	
8	2	MKE10121SS	SEAL (SIDE)	M-99-21
9	2	MKE10122SS	SEAL (END)	M-99-21

MKE-10181A (64) Ø0.56 HOLES				
ITEM	QTY	PART NO.	DESCRIPTION	DRAWING NO.
1	1		FRAME ASSEMBLY (64 HOLE)	M-99-36
2	1	MKE10179SS	DOOR ASSEMBLY	M-99-33
3	2	MKE10080	OPERATING HANDLE	M-85-12
4	1	MKE10119	OPERATING SHAFT	M-99-25
5	2	MKE10129	PINION	M-85-53
6	2	P30000649	1/2-20 X 3 HHCS, SS	
7	2	P30000650	1/2-20 LOCK NUT, SS	
8	2	MKE10121SS	SEAL (SIDE)	M-99-21
9	2	MKE10122SS	SEAL (END)	M-99-21

MKE-10182A (32) Ø0.69 HOLES - SAME AS MKE10180A EXCEPT:				
10	1	P10115018	BAG HOLDER	M-99-10

MKE-10183A (64) Ø0.56 HOLES - SAME AS MKE10181A EXCEPT:				
10	1	P10115018	BAG HOLDER	M-99-10

NOTE: GATE FLANGE TO BE FLAT  
+/-0.063

DIMENSIONAL TOLERANCES	
ALL DIMENSIONS IN INCHES UNLESS OTHERWISE SPECIFIED UNLESS OTHERWISE SPECIFIED:	
2 PL. DEC.: ±0.06	TOLERANCES ARE NOT ACCUMULATIVE
3 PL. DEC.: ±0.031	MILLIMETERS: MM 1 PL. DEC.: ±X.X
ANGLES: ±1	

**MINER ENTERPRISES INC.**  
W. H. MINER DIVISION  
1200 EAST STATE STREET GENEVA, IL 60134  
TITLE: 13 x 42 GATE ARRANGEMENT  
PART: SEE LIST MATERIAL:  
WEIGHT: 365#  
DEVICE: 13 x 42 AutoLOK II  
REFERENCE: SCALE: QUARTER  
DR BY: RSF DATE: 24 APR 98 CH BY: BS SCH:  
PART / CAT NO. DRAWING NO. REV. G  
M-99-32