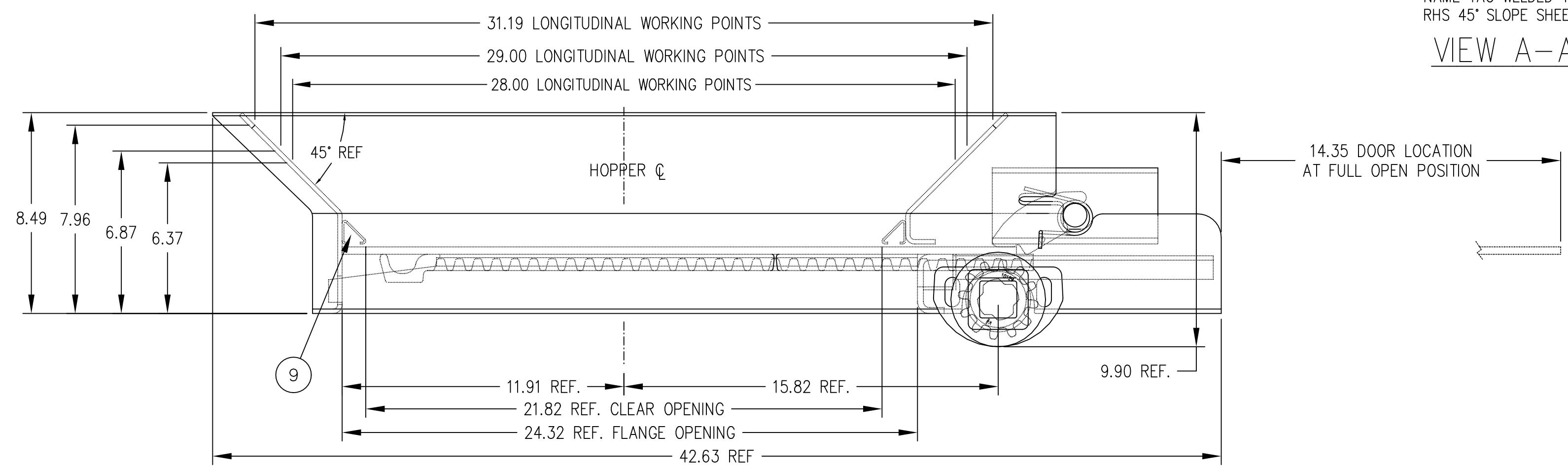
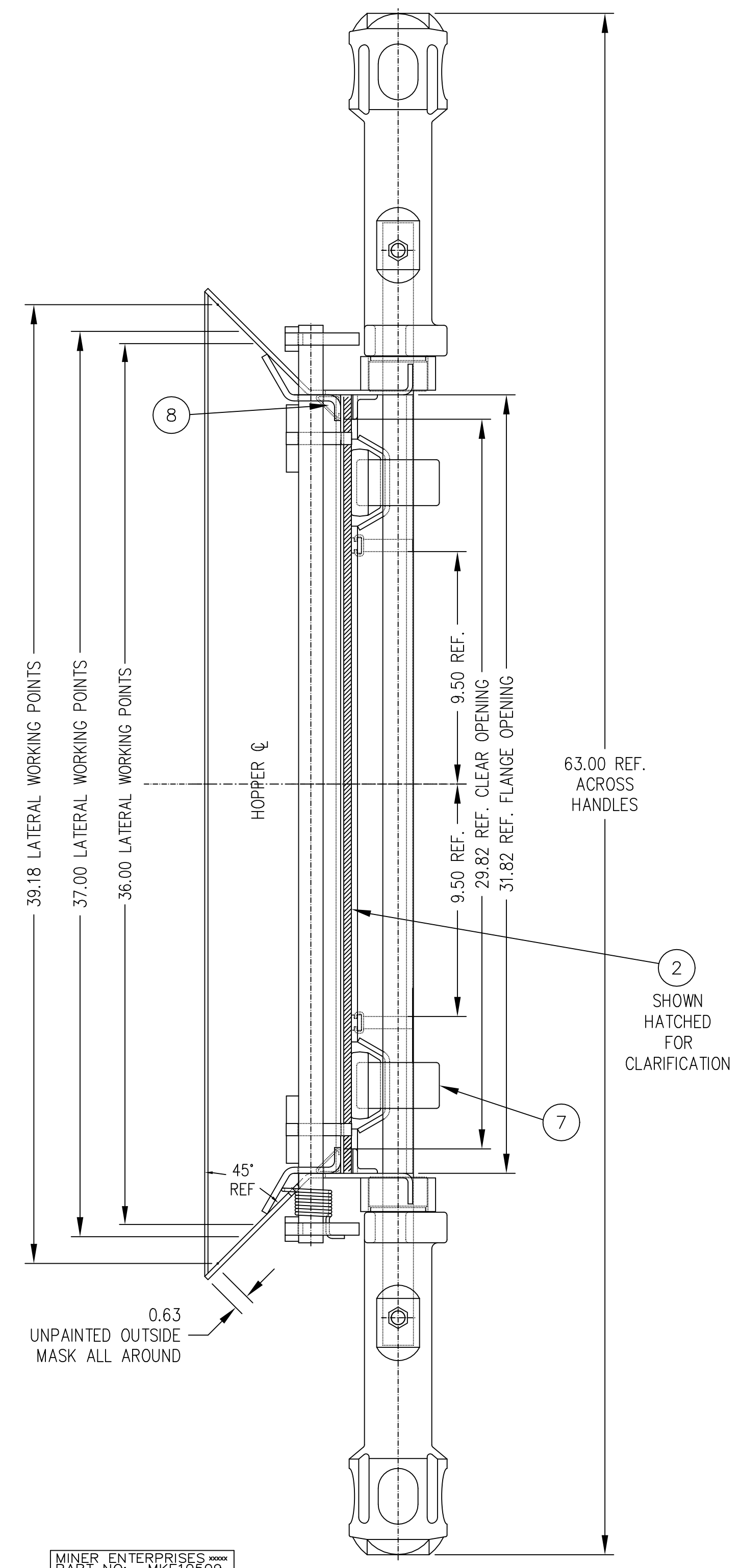
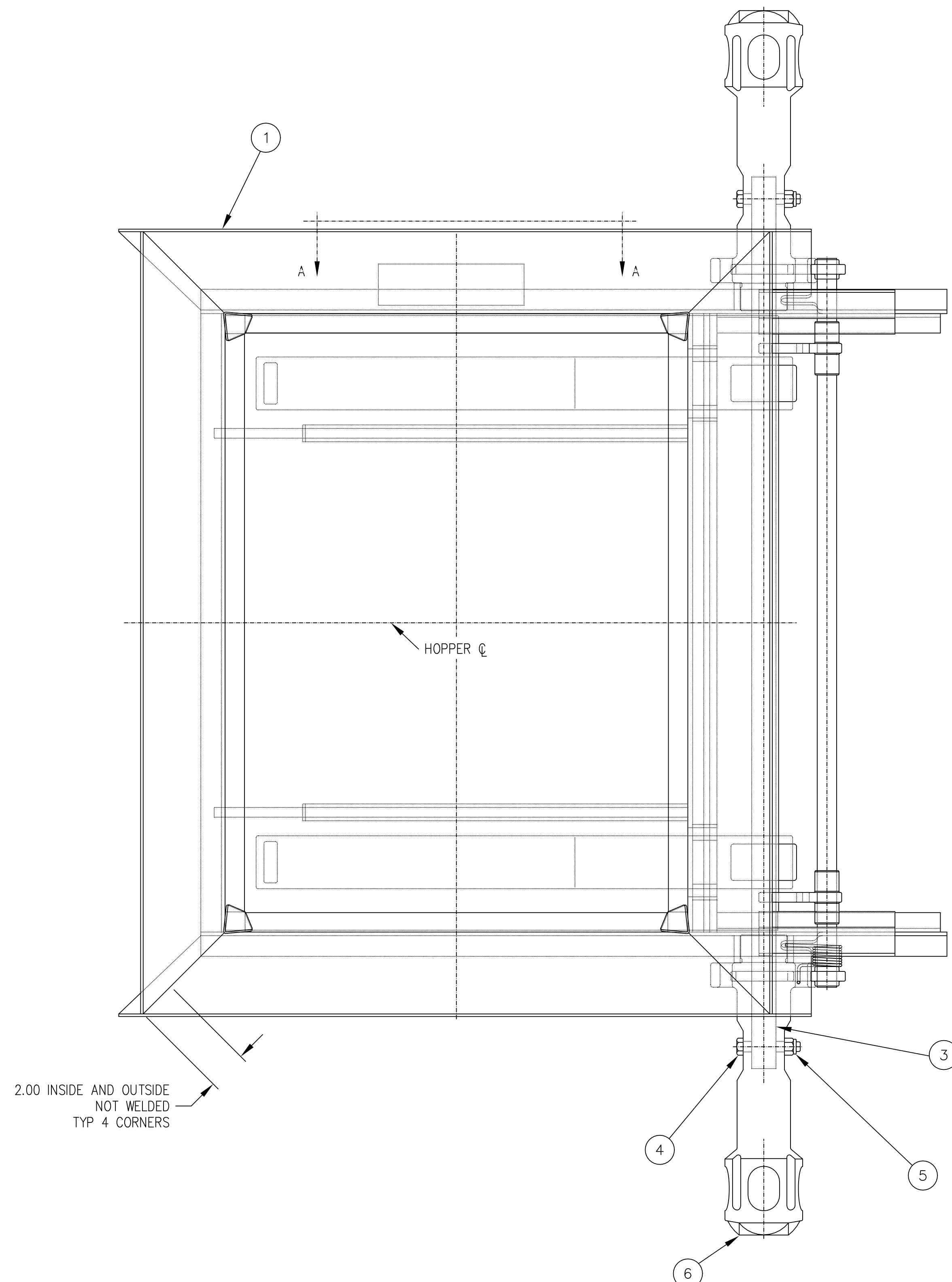


ITEM	QTY	PART NO.	DESCRIPTION	DRAWING NO.
1	1		FRAME ASSEMBLY	M-98-75
2	1	MKE10108	SLIDE DOOR ASSEMBLY	M-98-4
3	1	MKE10085	OPERATING SHAFT	M-85-35
4	2	P30000611	1/2-20 x 3 LG. HEX HD BOLT	
5	2	P30000615	1/2-20 ELASTIC STOP NUT	
6	2	MKE10080	OPERATING HANDLE WITH CAM	M-85-12
7	2	MKE10129	SLIP PINION	M-85-53
8	2	MKE10109	CARPET SEAL (SIDE)	M-85-21
9	2	MKE10066	CARPET SEAL (END)	M-85-21



MINER ENTERPRISES
 PART NO. MKE10509
 JOB NO. XXXXX
 DATE OF MFG. XX/XX
 MADE IN XXXXX

NAME TAG WELDED TO
 RHS 45° SLOPE SHEET

VIEW A-A

PAINT SPECIFICATIONS:

- MKE10509 AND MKE10509P1 ARE PAINTED WITH DTM BLACK ENAMEL.
- MKE10509P2 AND ALL OTHER PAINTED OR COATED GATES WILL BE SPECIFIED WITH COATING OPTIONS BY THE CURRENT MRP/ERP SYSTEM.
- FINE COAT: 3 MILS MAX FOOD GRADE.
- OUTER AND/OR INNER EDGE OF GATE TO BE BARE METAL AS INDICATED.

WORKING POINTS		
LATERAL	LONGITUDINAL	TO FLANGE
36.00	28.00	6.37
37.00	29.00	6.87
39.19	31.19	7.96

DIMENSIONAL TOLERANCES
 ALL DIMENSIONS IN INCHES UNLESS OTHERWISE SPECIFIED UNLESS OTHERWISE SPECIFIED:
 2 PL. DEC.: ± 0.06 TOLERANCES ARE NOT ACCUMULATIVE
 3 PL. DEC.: ± 0.031
 ANGLES: ±1 MILLIMETERS: MM 1 PL. DEC.: ± 0.1

MINER ENTERPRISES INC.
 W. H. MINER DIVISION
 1200 EAST STATE STREET GENEVA, IL 60134

TITLE
 28 x 36 AutoLOK II (EXTENDED) GATE ARRANGEMENT

PART MKE10509 MATERIAL SEE LIST
 WEIGHT 311#

DEVICE 28 x 36 (CANADIAN) W/O AutoLOK II

REFERENCE MKE10106 M-98-1 SCALE QUARTER

DR BY BS DATE 12 FEB 07 CH BY RMC SCH

PATT / CAT NO. MKE10509 DRAWING NO. M-98-74 REV. D

THIS DRAWING IS THE PROPERTY OF MINER ENTERPRISES INC. WHO CLAIMS PROPRIETARY RIGHTS IN THE MATERIAL DISCLOSED. IT IS ISSUED IN CONFIDENCE FOR ENGINEERING INFORMATION ONLY AND MAY NOT BE COPIED OR USED FOR MANUFACTURE OF ANYTHING SHOWN WITHOUT SPECIFIC WRITTEN PERMISSION FROM MINER ENTERPRISES INC. COPYRIGHT MINER ENTERPRISES, INC. 1996.