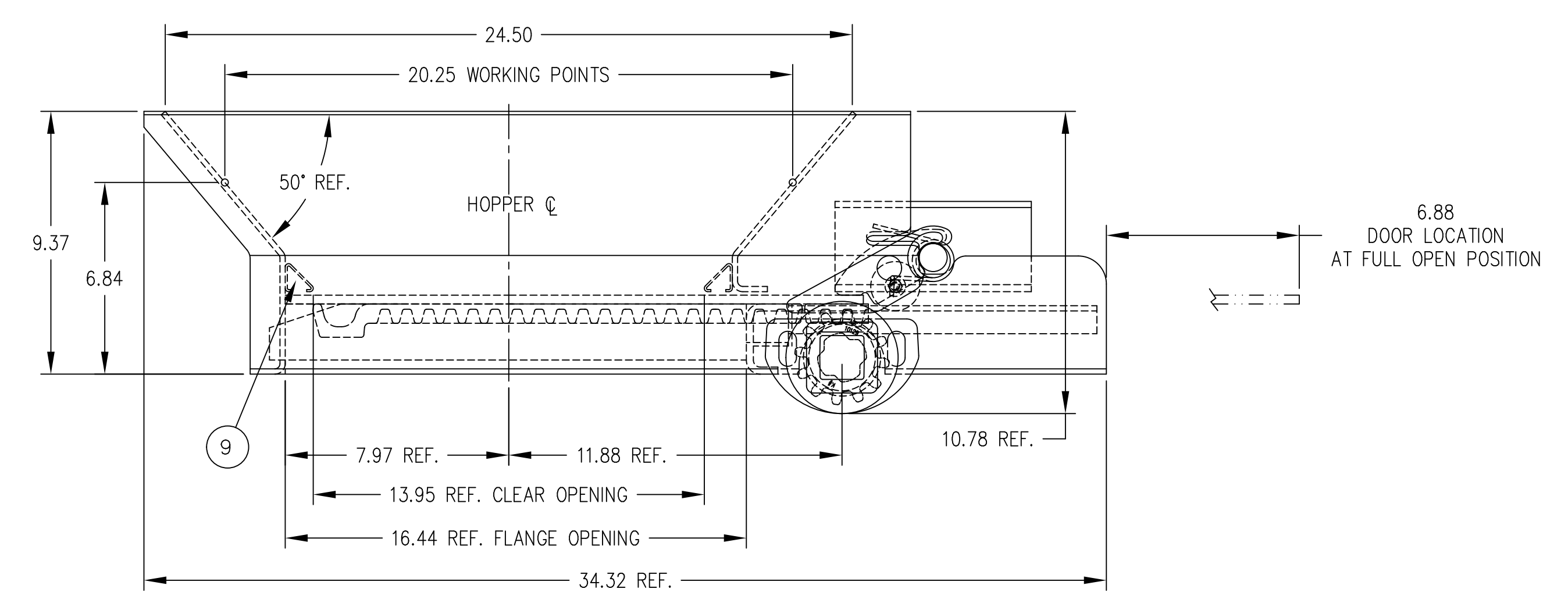
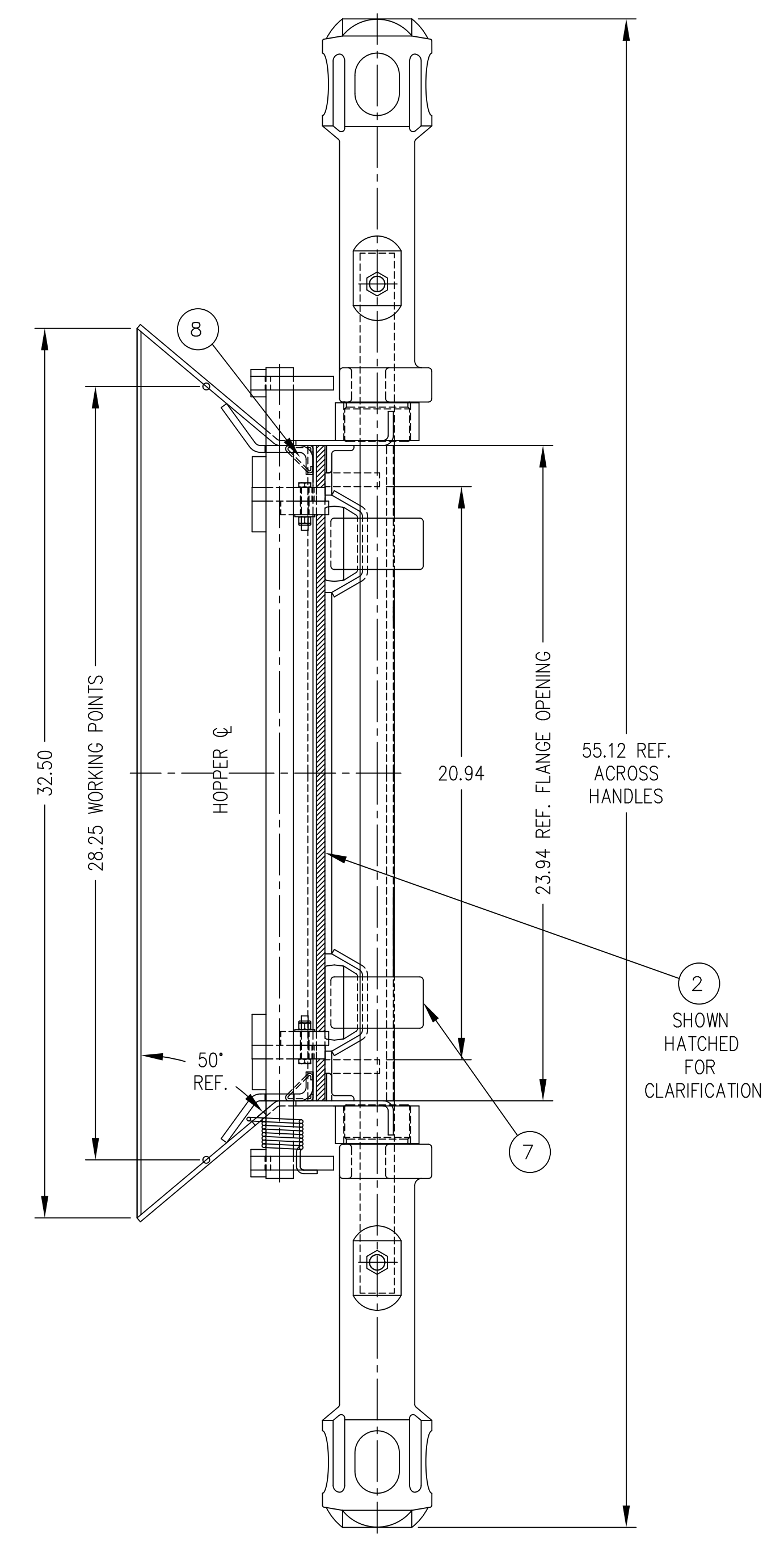
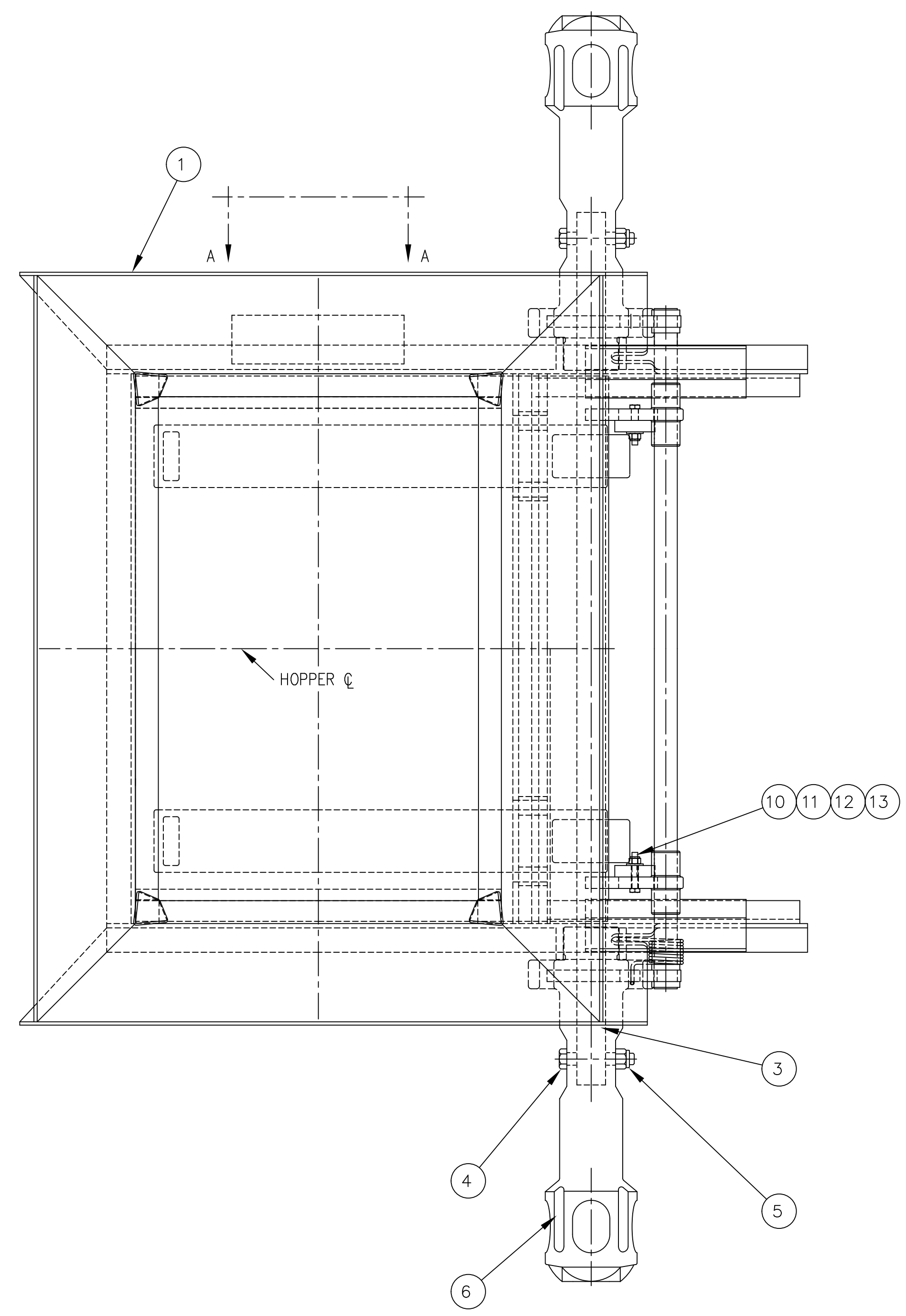


ITEM	QTY	PART NO.	DESCRIPTION	DRAWING NO.
1	1		FRAME ASSEMBLY	M-98-72
2	1	MKE10328	SLIDE DOOR ASSEMBLY	M-98-23
3	1	MKE10325	OPERATING SHAFT	M-98-22
4	2	P30000611	1/2-20 x 3 LG. HEX HD BOLT	
5	2	P30000615	1/2-20 ELASTIC STOP NUT	
6	2	MKE10080	OPERATING HANDLE WITH CAM	M-85-12
7	2	MKE10129	SLIP PINION	M-85-53
8	2	MKE10316	CARPET SEAL (SIDE)	M-85-21
9	2	MKE10308	CARPET SEAL (END)	M-85-21
10	2	P10342001	BUMP GUARD	M-85-81
11	2	P30000214	1/4-20 x 1-1/2 HHCS, ZN	
12	2	P30000203	1/4-20 ESNA, ZN	
13	2	P30000209	1/4 STD. WASHER, ZN	



MINER ENTERPRISES
 PART NO. MKE10322
 JOB NO. xxxxx
 DATE OF MFG. xx/xx
 MADE IN U.S.A.

NAME TAG WELDED TO
 RHS 50° SLOPE SHEET
VIEW A-A

THIS DRAWING IS THE PROPERTY OF
 MINER ENTERPRISES INC. WHO CLAIMS
 PROPRIETARY RIGHTS IN THE MATERIAL
 DISCLOSED. IT IS ISSUED IN CONFIDENCE
 FOR ENGINEERING INFORMATION ONLY
 AND MAY NOT BE COPIED OR USED FOR
 MANUFACTURE OF ANYTHING SHOWN
 WITHOUT SPECIFIC WRITTEN PERMISSION
 FROM MINER ENTERPRISES INC.
 COPYRIGHT MINER ENTERPRISES, INC. 2001.

DIMENSIONAL TOLERANCES
 ALL DIMENSIONS IN INCHES UNLESS OTHERWISE SPECIFIED
 UNLESS OTHERWISE SPECIFIED: TOLERANCES ARE
 2 PL. DEC.: ±0.06 NOT ACCUMULATIVE
 3 PL. DEC.: ±0.031
 ANGLES: ±1 MILLIMETERS: MM 1 PL. DEC.: ±X.X

MINER ENTERPRISES INC.
 W. H. MINER DIVISION
 1200 EAST STATE STREET GENEVA, IL 60134
 TITLE: 13 X 24 AutoLOK II GATE ARRANGEMENT

PART: MKE10450 MATERIAL: SEE LIST
 DEVICE: CANADIAN AutoLOK
 REFERENCE: SCALE: QUARTER
 DR BY: PJ DATE: 22 NOV 04 CH BY: RSF SCH: A
 PATT / CAT NO. DRAWING NO. REV. A
 MKE10450 M-98-71