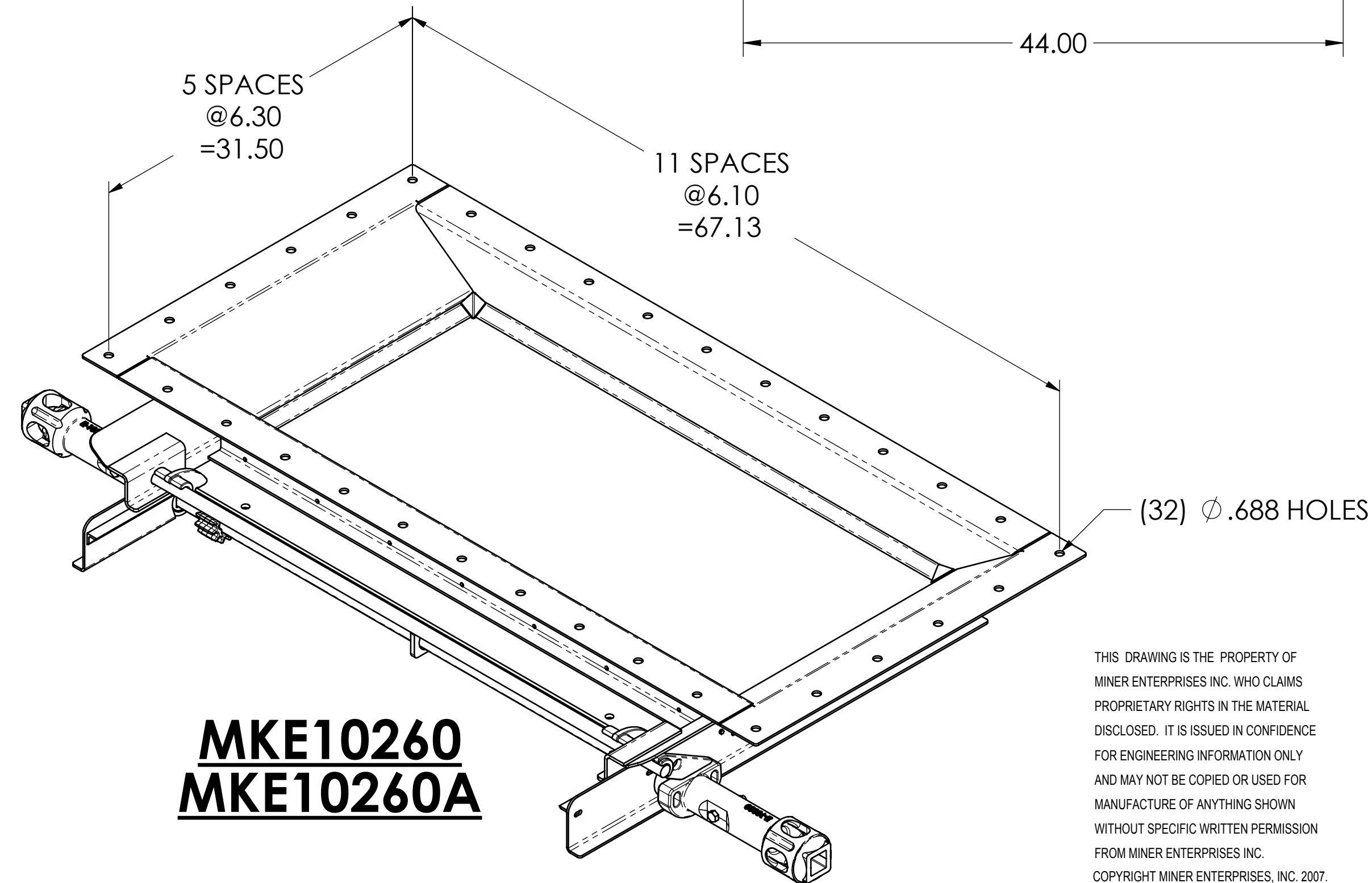
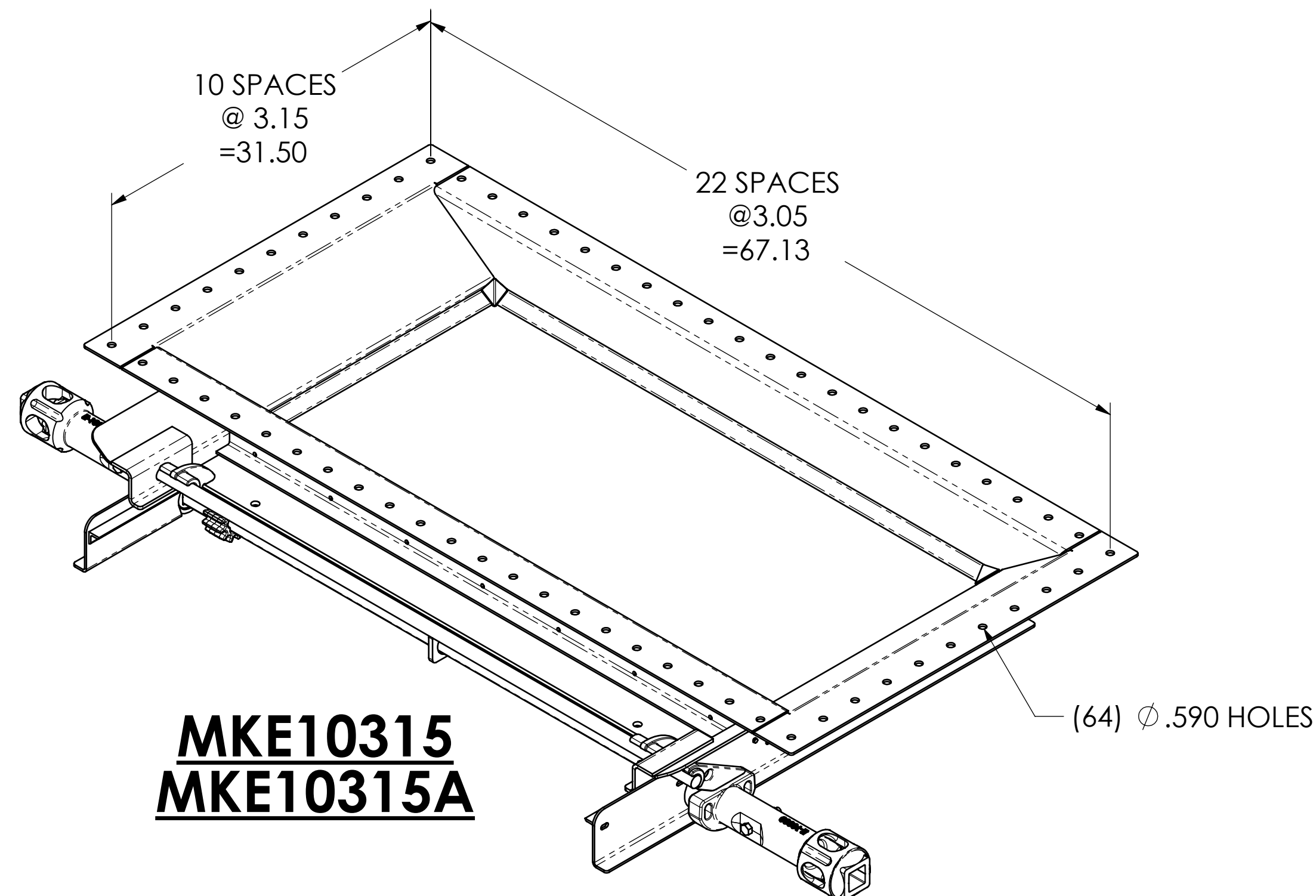
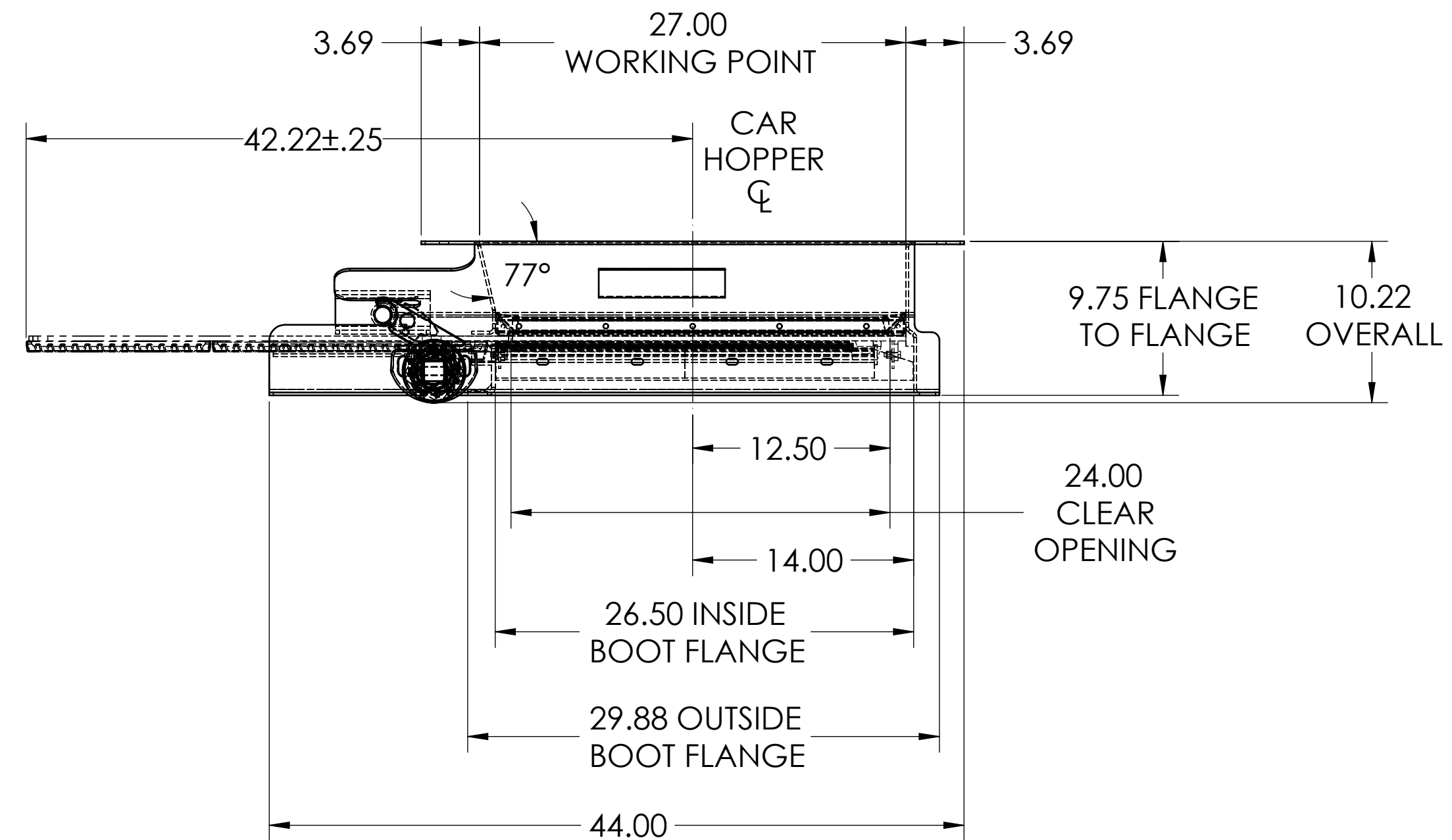
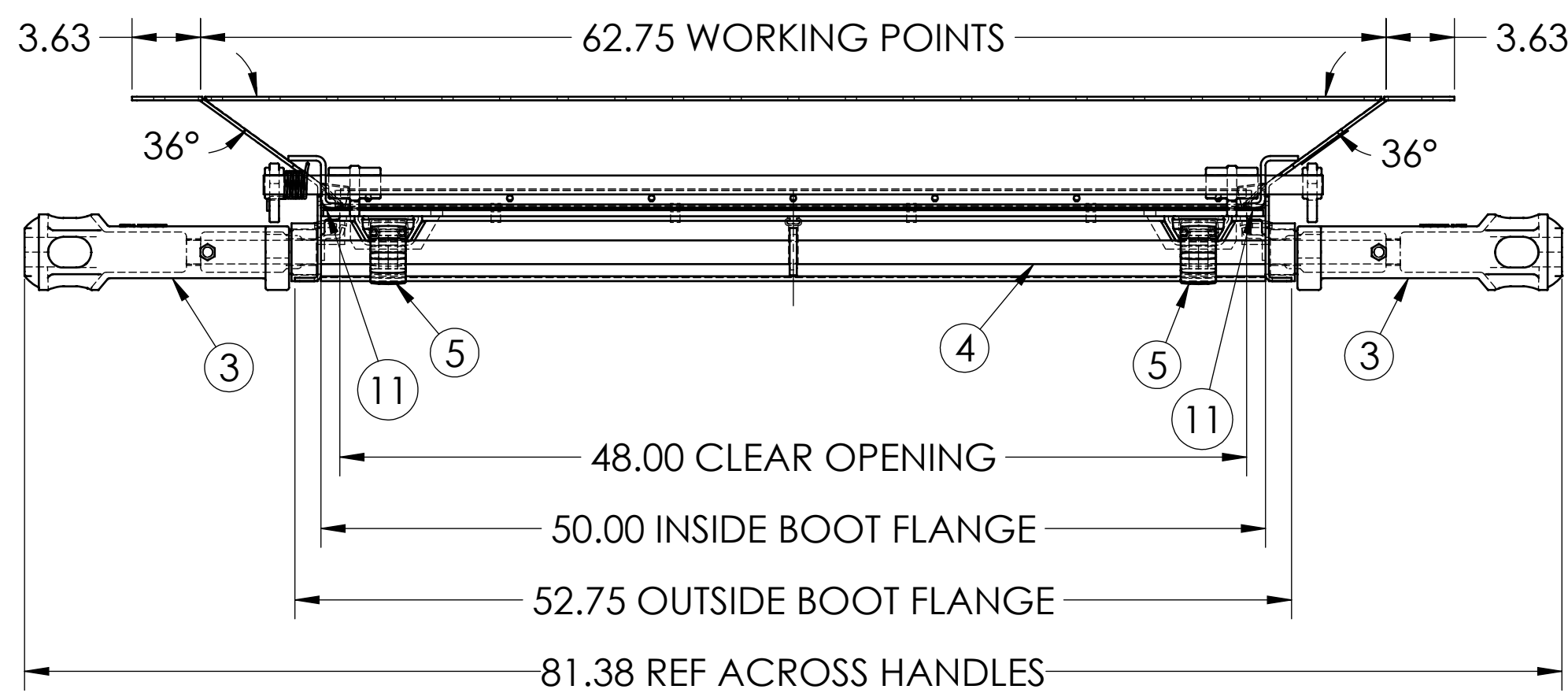


ITEM	MKE10315 (64 HOLE) HRS DOOR - QTY	MKE10315A (64 HOLE) SS DOOR - QTY	MKE10260 (32 HOLE) HRS DOOR - QTY	MKE10260A (32 HOLE) SS DOOR - QTY	PART NUMBER	DESCRIPTION	DRAWING NUMBER
1	1	1	-	-	MKE10314	FRAME ASSEMBLY	M-92-52
	-	-	1	1	MKE10259		
2	1	-	1	-	MKE10261	DOOR ASSEMBLY	M-92-41
	-	1	-	1	MKE10261SS		
3	2	2	2	2	MKE10080	OPERATING HANDLE WITH ACTIVATION CAM	M-85-12
4	1	1	1	1	MKE10262	OPERATING SHAFT	25481
5	2	2	2	2	MKE10129	SLIP PINION, SYMMETRIC	M-85-53
6	1	1	1	1	P10260003	DOOR SUPPORT RUNNER	M-85-39
7	2	2	2	2	P10260002	UHMW-PE RUNNER	M-99-64
8	2	2	2	2	P30000615	1/2-20 LOCKNUT ZN	P30000615
9	2	2	2	2	P30000611	1/2-20 X3 HHCS ZN	P30000611
10	8	8	8	8	P30000151	#12 HHSMS ZN PLT	P30000151
11	2	2	2	2	MKE10263	CARPET SEAL	M-85-21
12	2	2	2	2	MKE10264		



THIS DRAWING IS THE PROPERTY OF MINER ENTERPRISES INC. WHO CLAIMS PROPRIETARY RIGHTS IN THE MATERIAL DISCLOSED. IT IS ISSUED IN CONFIDENCE FOR ENGINEERING INFORMATION ONLY AND MAY NOT BE COPIED OR USED FOR MANUFACTURE OF ANYTHING SHOWN WITHOUT SPECIFIC WRITTEN PERMISSION FROM MINER ENTERPRISES INC. COPYRIGHT MINER ENTERPRISES, INC. 2007.

DIMENSIONAL TOLERANCES
ALL DIMENSIONS IN INCHES UNLESS OTHERWISE SPECIFIED
 UNLESS OTHERWISE SPECIFIED:

2 PL. DEC:	±0.06	TOLERANCES ARE	NOT ACCUMULATIVE
3 PL. DEC:	±0.031	MILLIMETERS:	±0.13
ANGLES:	±1°	MM 1 PL. DEC.:	±0.13

MINER ENTERPRISES INC.
W. H. MINER DIVISION
 1200 EAST STATE STREET GENEVA, IL 60134
24 X 48 GATE ARRANGEMENT

PART: SEE BOM MATERIAL: SEE BOM
 WEIGHT: 449.39
 REFERENCE: AutoLOK II SCALE: 1:8
 DR BY: PJ DATE: 10/19/00 DT BY: BS
 PART/CAT NO. DRAWING NO. M-92-54
 SEE BOM