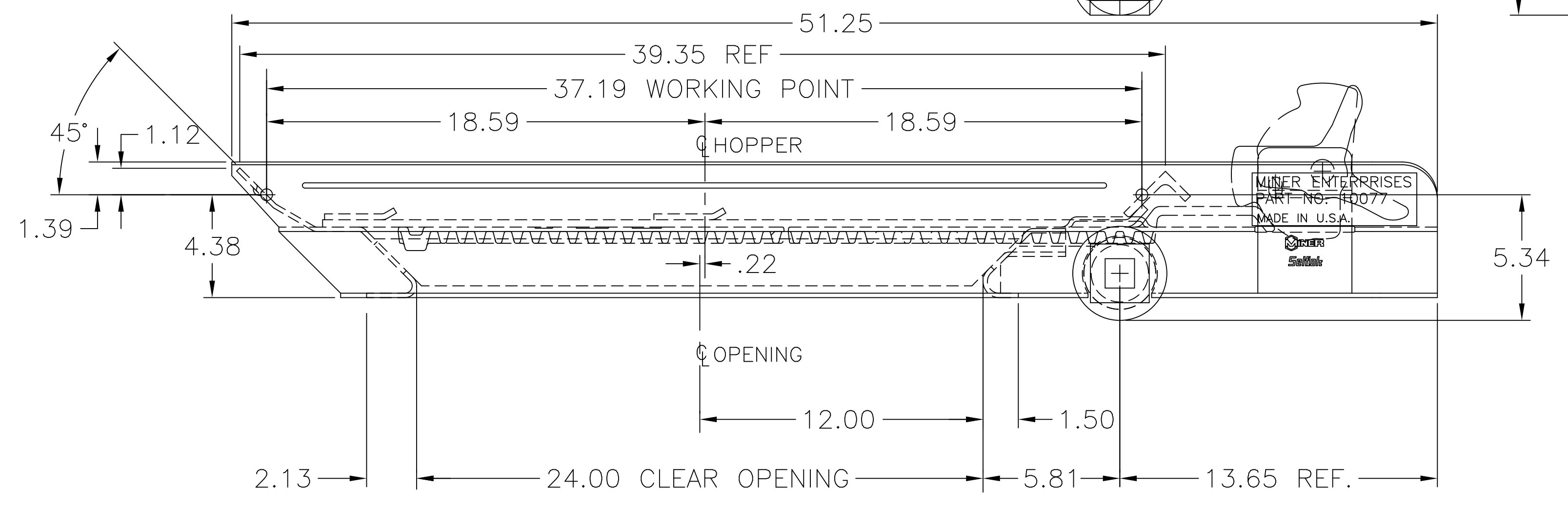
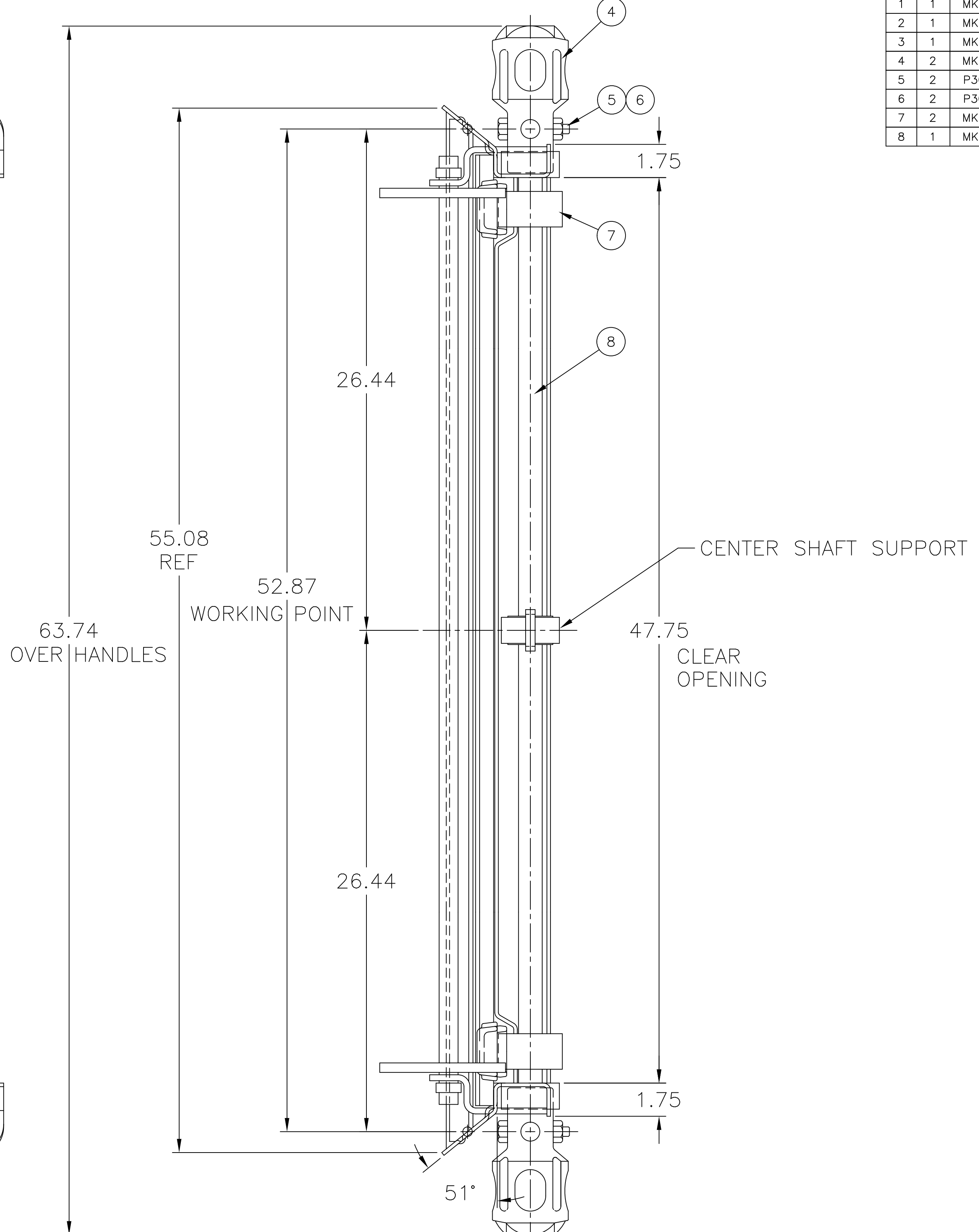
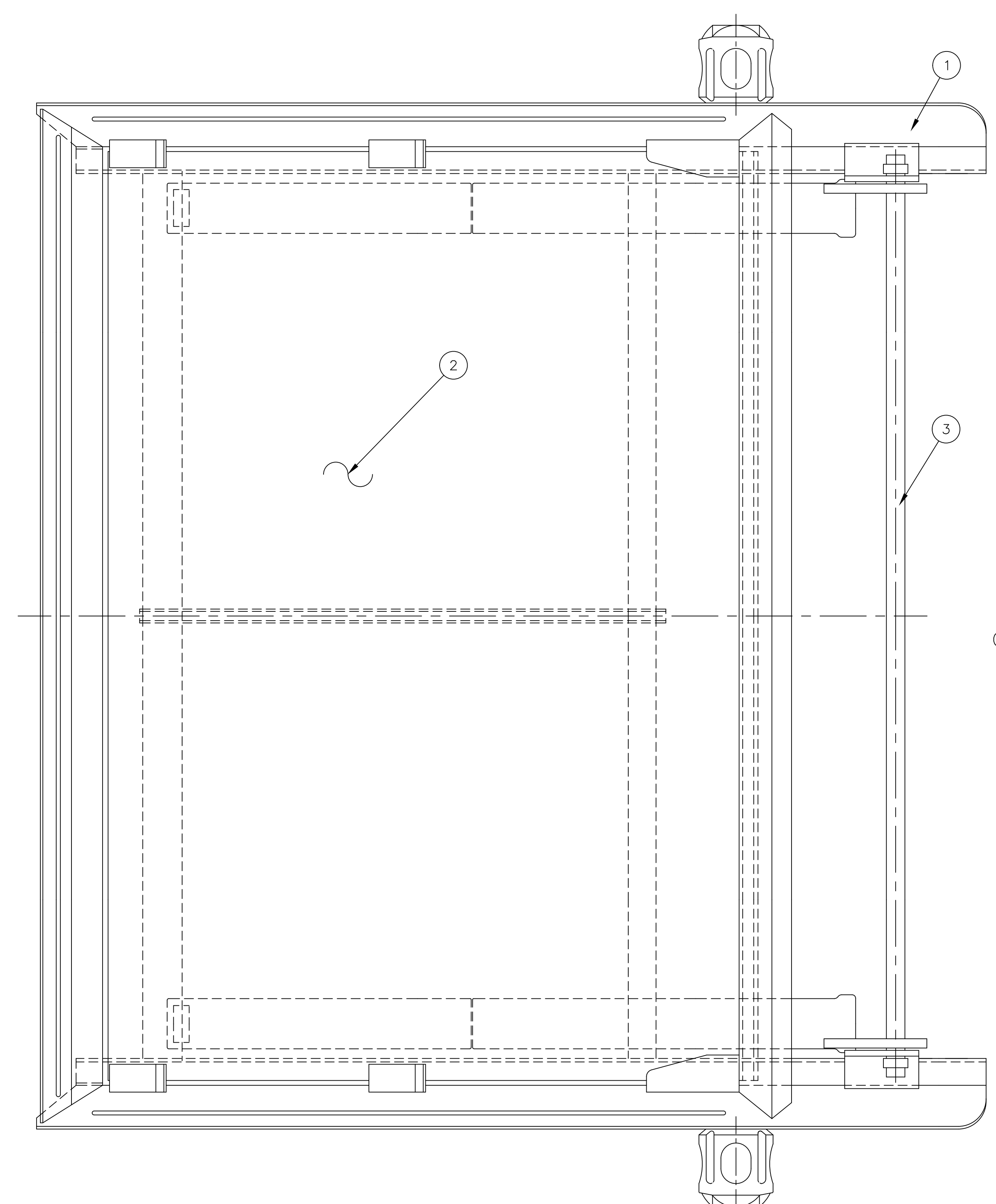


ITEM	QTY	PART NO.	DESCRIPTION	DRAWING NO.
1	1	MKE10078	FRAME ASSEMBLY	M-92-2
2	1	MKE10070	SLIDE DOOR ASSEMBLY	M-92-12
3	1	MKE10086	SELFLOK ASSEMBLY	M-92-14
4	2	MKE8261	OPERATING HANDLE	30776
5	2	P30000611	1/2-20 X 3 HEX HD BOLT	
6	2	P30000615	1/2-20 ELASTIC STOP NUT	
7	2	MKE7029	PINION	25425
8	1	MKE10079	OPERATING SHAFT	25481



THIS DRAWING IS THE PROPERTY OF MINER ENTERPRISES INC. WHO CLAIMS PROPRIETARY RIGHTS IN THE MATERIAL DISCLOSED. IT IS ISSUED IN CONFIDENCE FOR ENGINEERING INFORMATION ONLY AND MAY NOT BE COPIED OR USED FOR MANUFACTURE OF ANYTHING SHOWN WITHOUT SPECIFIC WRITTEN PERMISSION FROM MINER ENTERPRISES INC. COPYRIGHT MINER ENTERPRISES, INC. 1996.

DIMENSIONAL TOLERANCES
 ALL DIMENSIONS IN INCHES UNLESS OTHERWISE SPECIFIED
 UNLESS OTHERWISE SPECIFIED: TOLERANCES ARE NOT ACCUMULATIVE
 2 PL. DEC.: ±0.06
 3 PL. DEC.: ±0.031
 ANGLES: ±1
 MILLIMETERS: MM 1 PL. DEC.: ±X.X

MINER ENTERPRISES INC.
 W. H. MINER DIVISION
 1200 EAST STATE STREET GENEVA, IL 60134

TITLE DISCHARGE VALVE ARRANGEMENT

PART MKE10077 **MATERIAL** SEE LIST

WEIGHT 449#

DEVICE 24 X 48 WELD-ON SLIDE GATE

REFERENCE **SCALE** QUARTER

DR BY PJ **DATE** 16 JAN 96 **CHK BY** BS **SCH** 4024

PART / CAT NO. MKE10077 **DRAWING NO.** M-92-1 **REV.** B

K
J
I
H
G
E
D
C
B
A