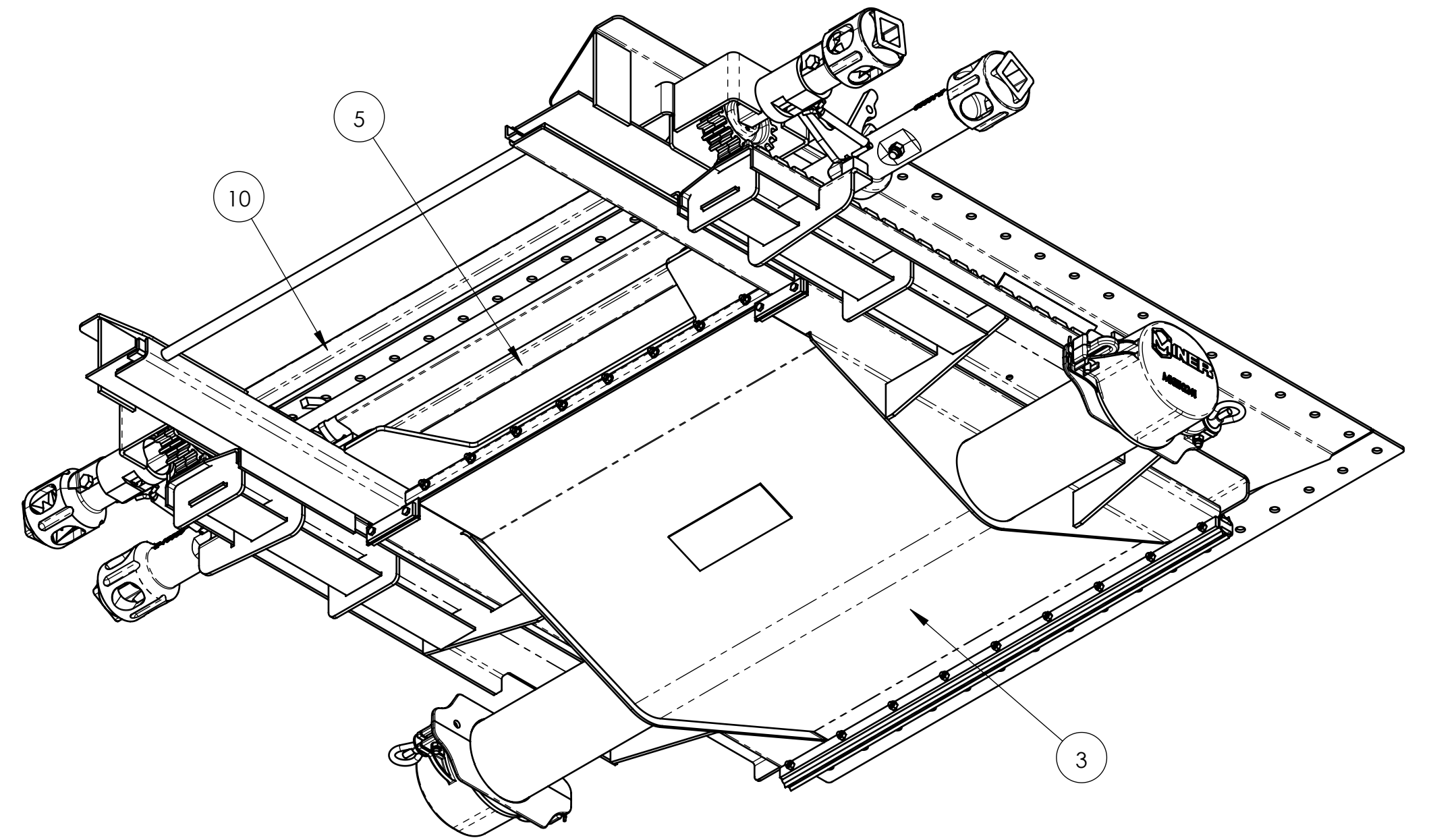


TOP OF GATE

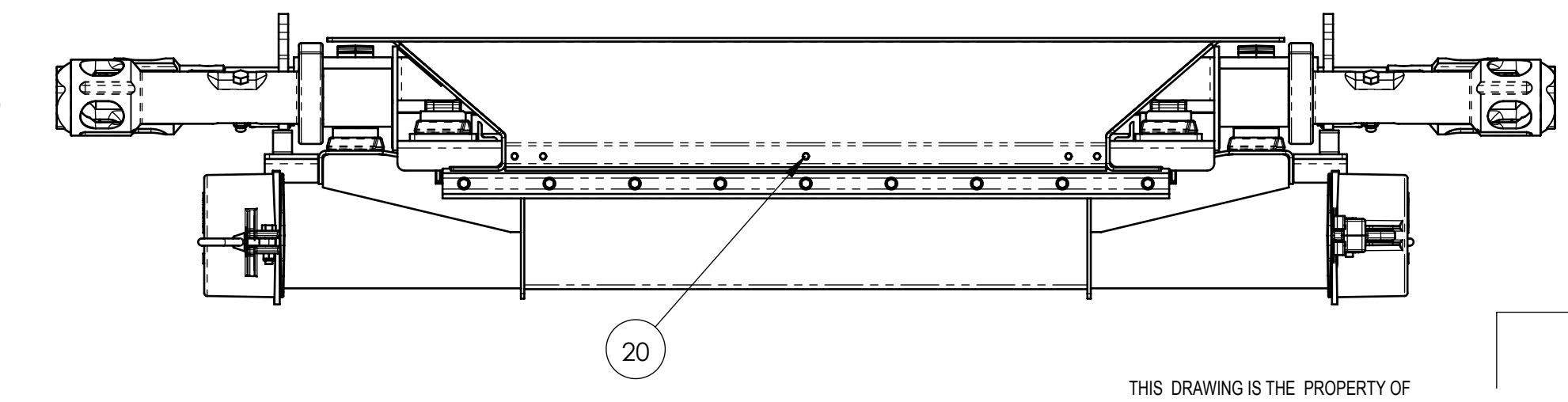
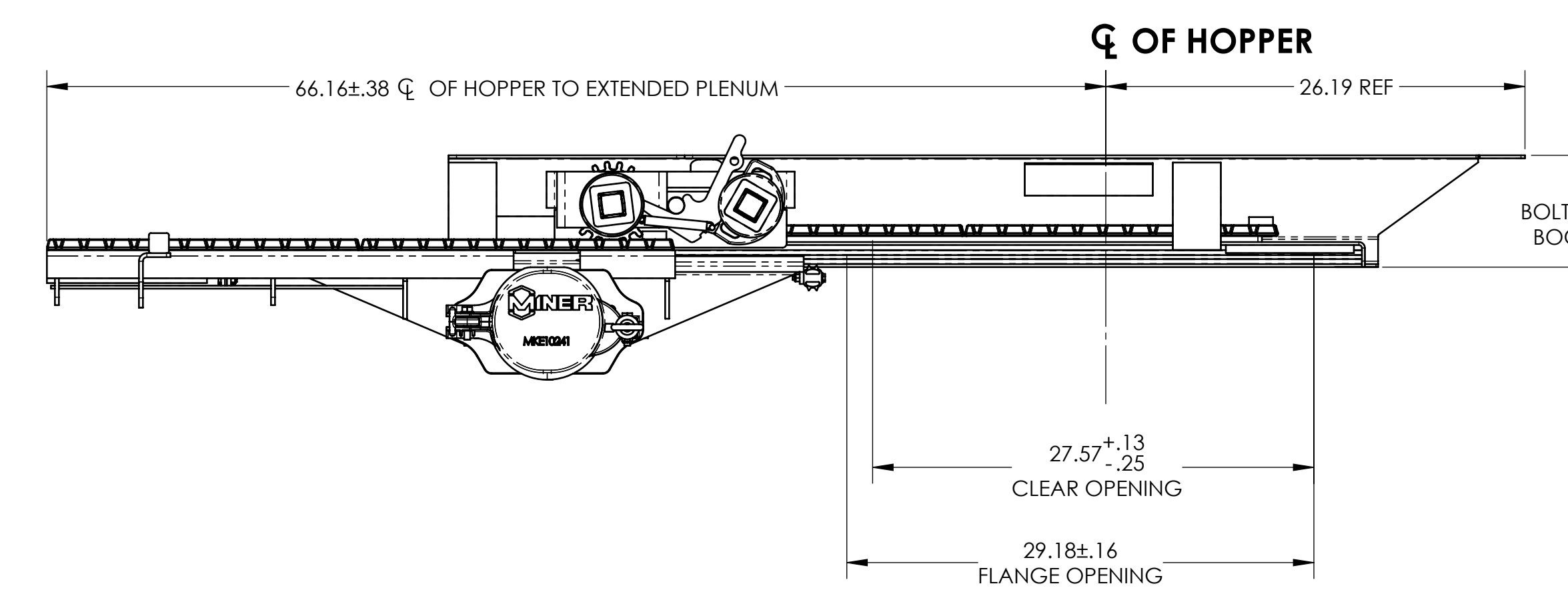
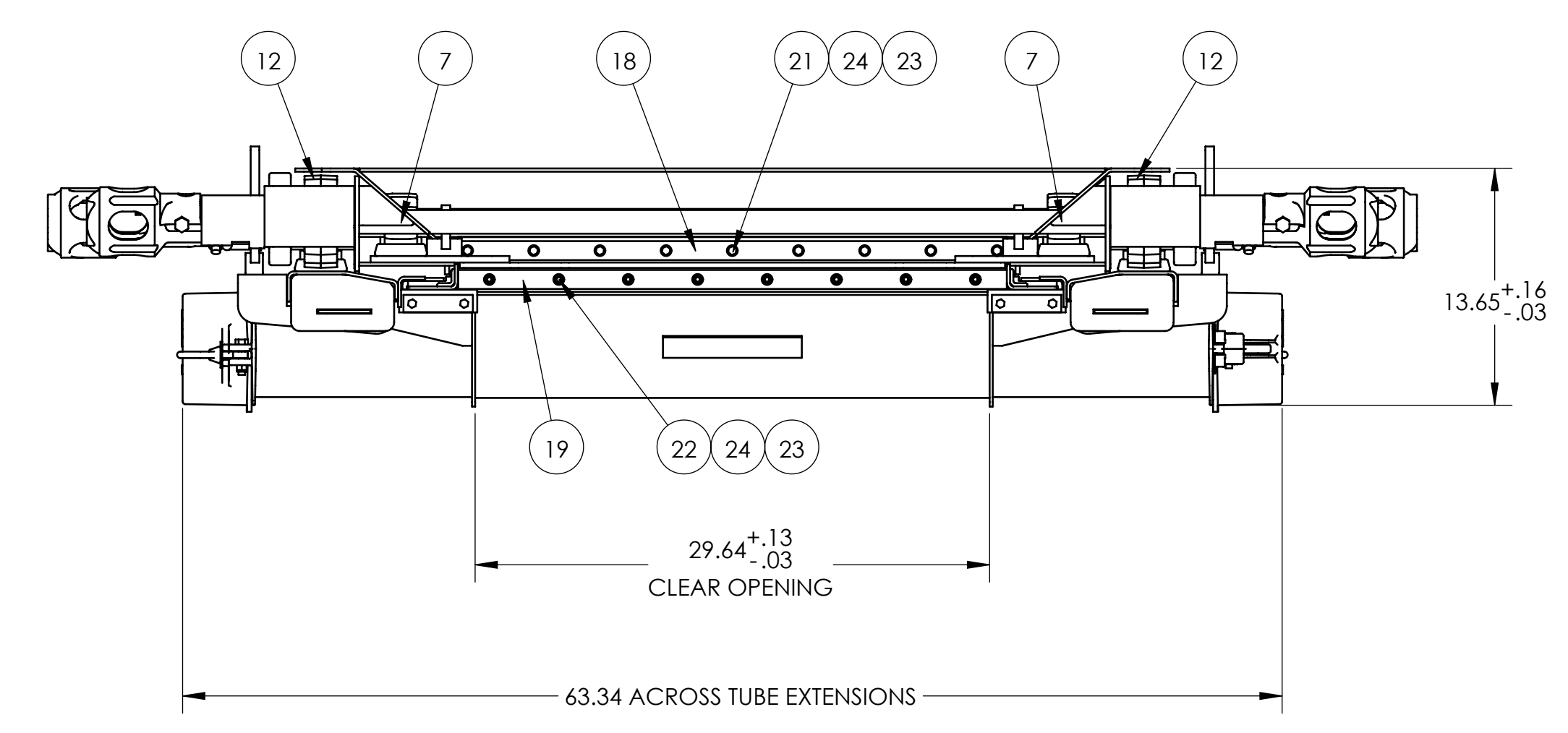


BOTTOM OF GATE

A MOUNTING GASKET WITH THE FOLLOWING PROPERTIES IS RECOMMENDED:

- FDA APPROVED MATERIALS
- DUAL DUROMETER
- HOLLOW BULB
- FOR UP TO 70 FT-LBS OF FASTENER TORQUE
- EXAMPLE: CENTRAL SALES AND SERVICE 44048

ITEM	QTY	PART NUMBER	DESCRIPTION	DRAWING NUMBER
1	1	P10679002	FRAME ASSEMBLY	M-168-13
2	1	MKE10272	DOOR ASSEMBLY	M-133-29
3	1	MKE10714	PLENUM CHAMBER ASSEMBLY, SS	M-178-3
4	2	P30005014	LOCK SPRING	30005014
5	1	MKE10216	OPERATING SHAFT - DOOR	M-133-56
6	2	MKE10080	OPERATING HANDLE WITH ACTIVATION CAM	M-85-12
7	2	MKE7029-1	PINION, 12 TOOTH	25425-1
8	4	P30000615	1/2-20 LOCKNUT ZN	P30000615
9	4	P30000611	1/2-20 X3 HHCS ZN	P30000611
10	1	MKE10217	OPERATING SHAFT - PLENUM	M-133-57
11	2	MKE8261	OPERATING HANDLE	30776
12	2	MKE10208	PINION, 20 TOOTH	M-133-8
13	2	MKE10169-7	DOOR SUPPORT RUNNER (SIDE)	M-133-15
14	1	MKE10169-5	DOOR SUPPORT RUNNER (FRONT)	M-133-15
15	1	MKE10215	BOTTOM RUNNER	M-140-15
16	1	P10267014	DOOR SUPPORT RUNNER	M-140-61
17	2	MKE10426	SANITARY RUNNER	M-140-17
18	1	MKE10248-1	SEAL, REAR	M-140-28
19	1	MKE10248-2	SEAL, BOTTOM	M-140-28
20	5	P30000151	#12 HHSMS ZN PLT	P30000151
21	9	P30000228	1/4-20 X 1 7/8 HHCS ZN	P30000228
22	8	P30000211	1/4-20 X 4 1/2 HHCS SS	P30000211
23	17	P30000203	1/4-20 LOCKNUT	P30000203
24	17	P30000209	1/4 WASHER	P30000209



THIS DRAWING IS THE PROPERTY OF MINER ENTERPRISES INC. WHO CLAIMS PROPRIETARY RIGHTS IN THE MATERIAL DISCLOSED. IT IS ISSUED IN CONFIDENCE FOR ENGINEERING INFORMATION ONLY AND MAY NOT BE COPIED OR USED FOR MANUFACTURE OF ANYTHING SHOWN WITHOUT SPECIFIC WRITTEN PERMISSION FROM MINER ENTERPRISES INC. COPYRIGHT MINER ENTERPRISES, INC. 2004.

MINER ENTERPRISES INC.
W. H. MINER DIVISION
 1200 EAST STATE STREET GENEVA, IL 60134
SaniLOK - 27 X 30 ARRANGEMENT
 PART: MKE10713 MATERIAL: SEE
 WEIGHT: 805.68 BOM
 DEVICE: 27 X 30 SaniLOK
 REFERENCE: SCALE: 1:8
 BY: RMC DATE: 1/20/2016 BY: BS SCH
 PATT / CAT NO. DRAWING NO.
E MKE10713 M-178-31