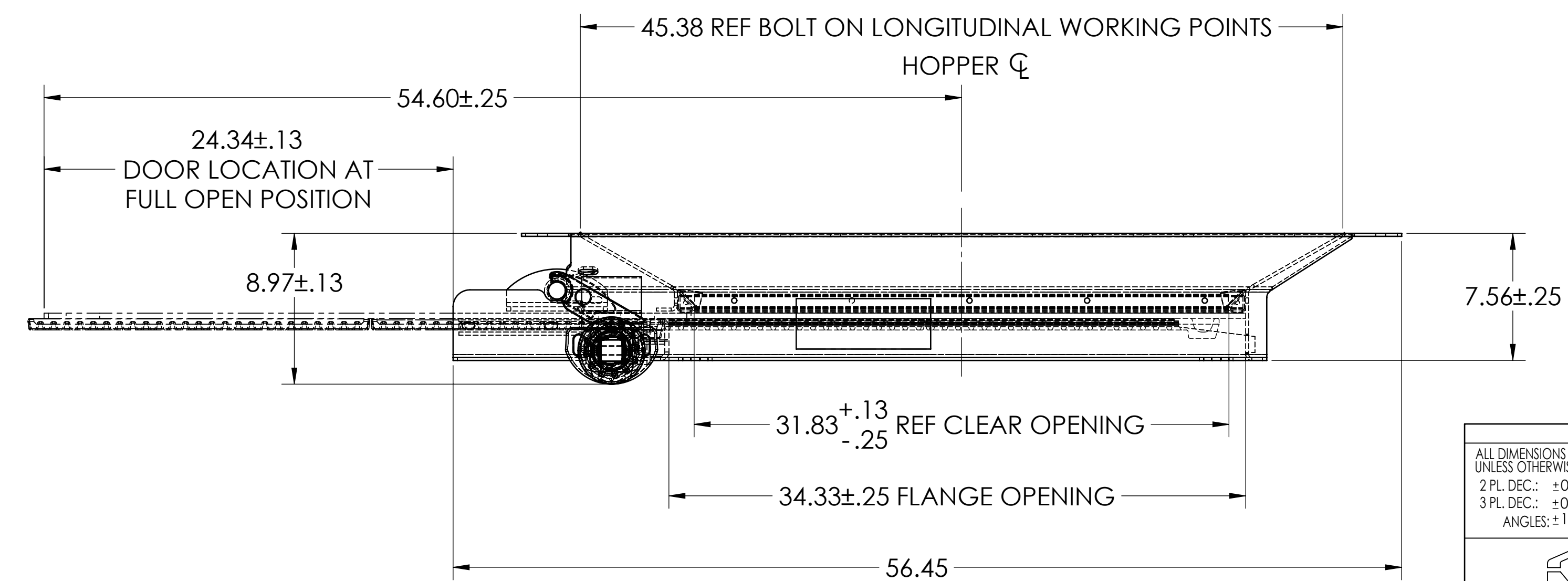
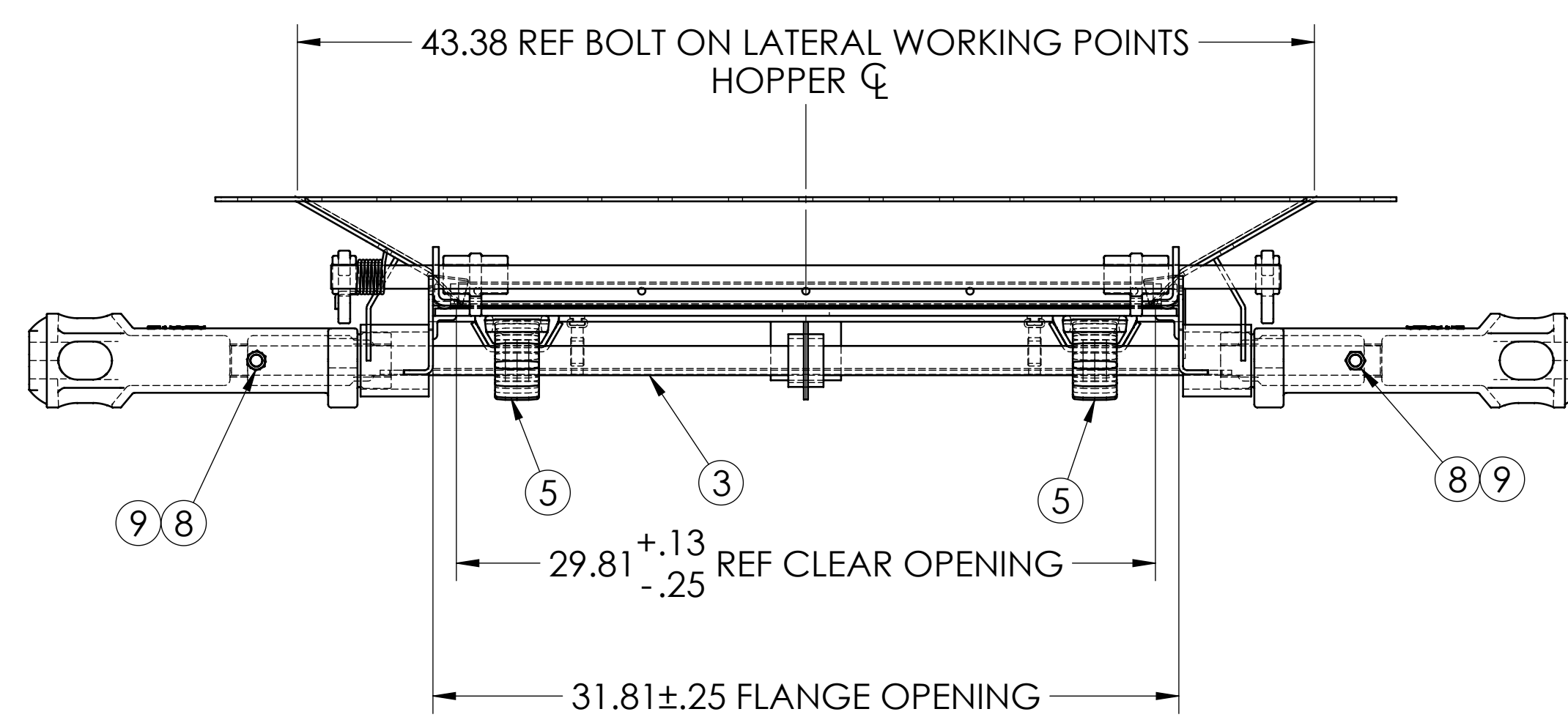
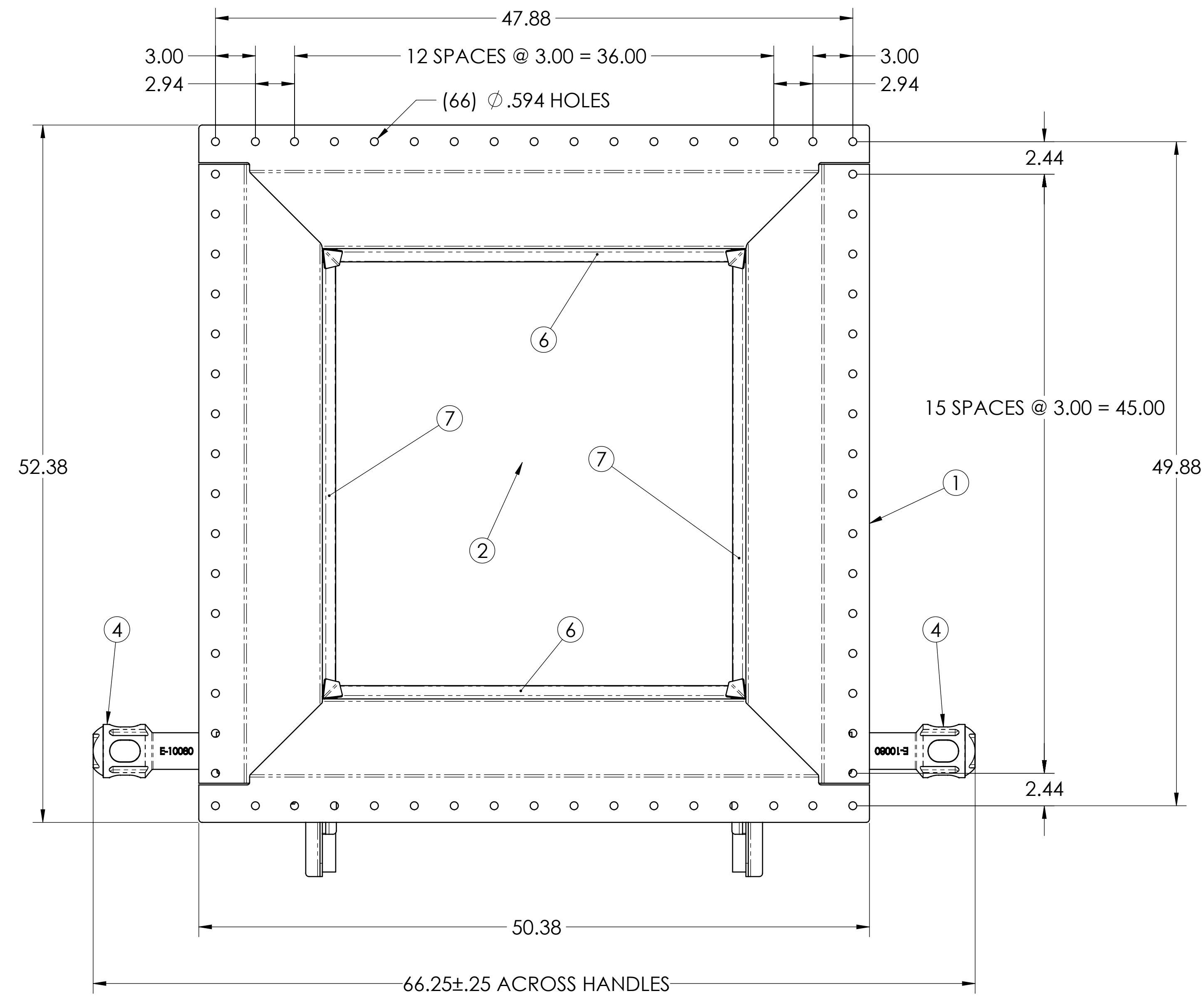
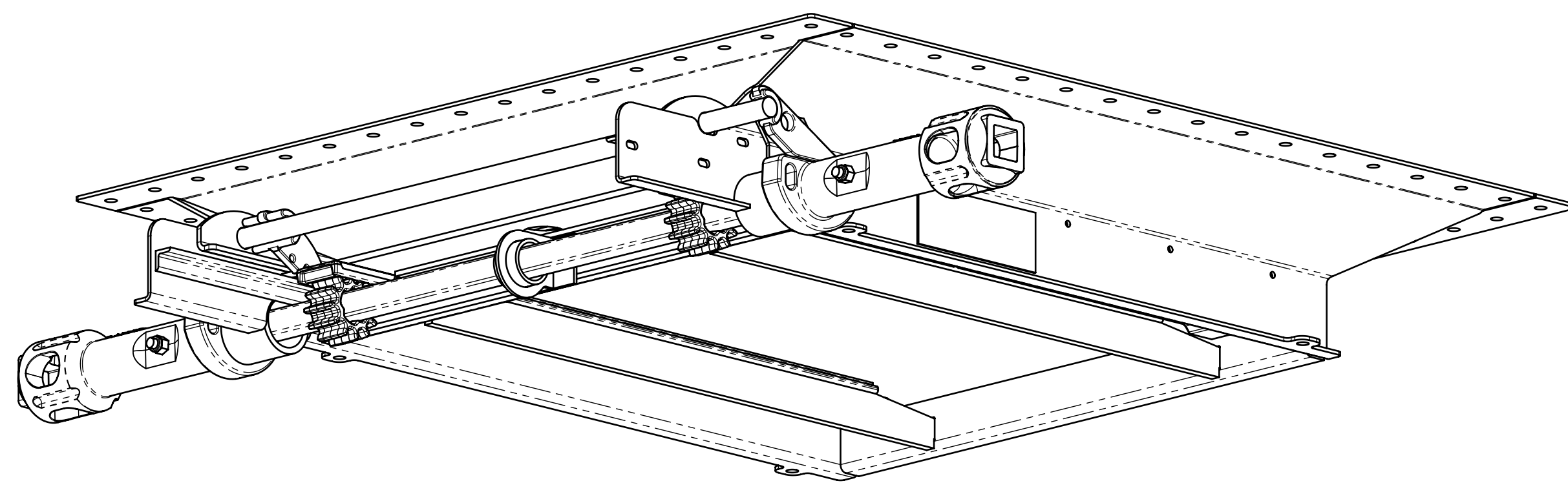
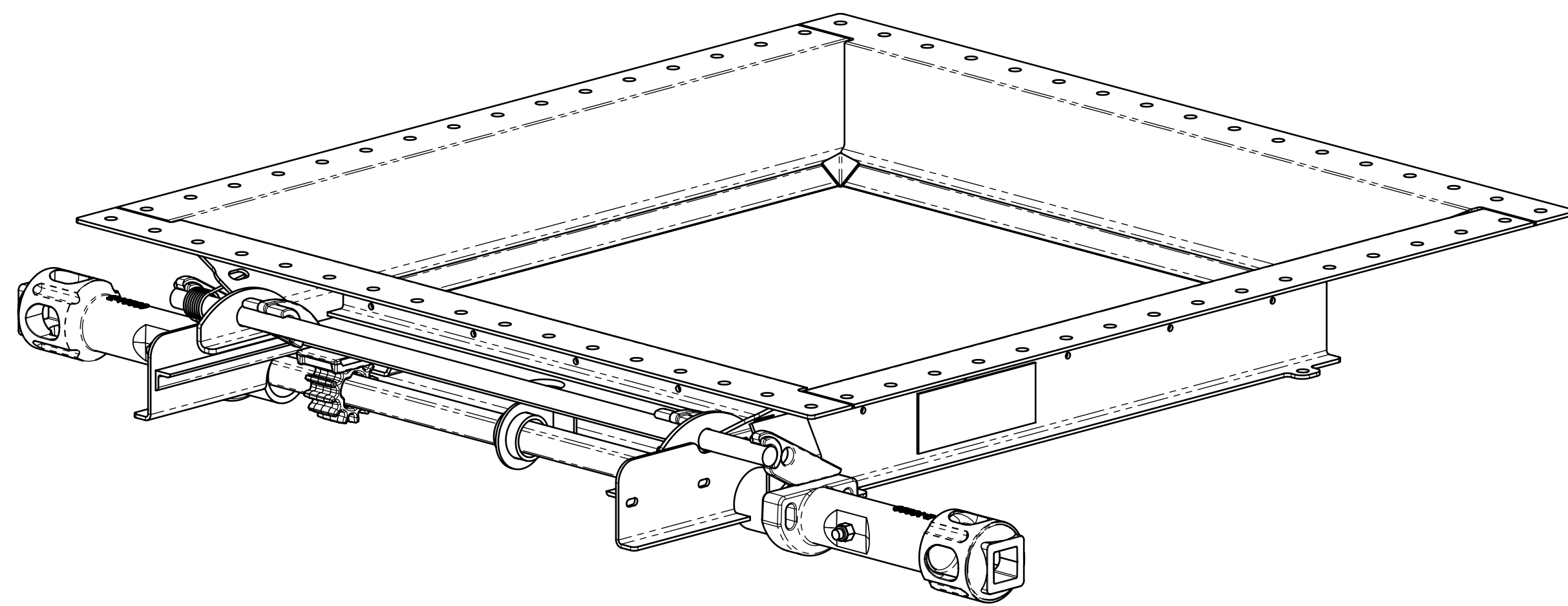


ITEM	QTY	PART NUMBER	DESCRIPTION	DRAWING NUMBER
1	1	MKE10612	FRAME ASSEMBLY	M-172-13
2	1	MKE10157	DOOR ASSEMBLY	M-85-54
3	1	MKE7237	OPERATING SHAFT	25481
4	2	MKE10080	OPERATING HANDLE WITH ACTIVATION CAM	M-85-12
5	2	MKE10129	SLIP PINION, SYMMETRIC	M-85-53
6	2	MKE10066	CARPET SEAL	M-85-21
7	2	MKE10065	CARPET SEAL	M-85-21
8	2	P30000615	1/2-20 LOCKNUT ZN	P30000615
9	2	P30000611	1/2-20 X3 HHCS ZN	P30000611



THIS DRAWING IS THE PROPERTY OF MINER ENTERPRISES INC. WHO CLAIMS PROPRIETARY RIGHTS IN THE MATERIAL DISCLOSED. IT IS ISSUED IN CONFIDENCE FOR ENGINEERING INFORMATION ONLY AND MAY NOT BE COPIED OR USED FOR MANUFACTURE OF ANYTHING SHOWN WITHOUT SPECIFIC WRITTEN PERMISSION FROM MINER ENTERPRISES INC. COPYRIGHT MINER ENTERPRISES, INC. 2017.

MINER ENTERPRISES INC.
 1200 EAST STATE STREET GENEVA, IL 60134

30 X 30 AutoLOK II GATE ARRANGEMENT

PN: MKE10611	MATERIAL: SEE
WEIGHT: 395.14	BOM
REFERENCE: NBE	SCALE: 1:6
MODELED BY: NBE	DATE: 4/18/11
APPROVED BY: BS	REV.:

E M-172-12