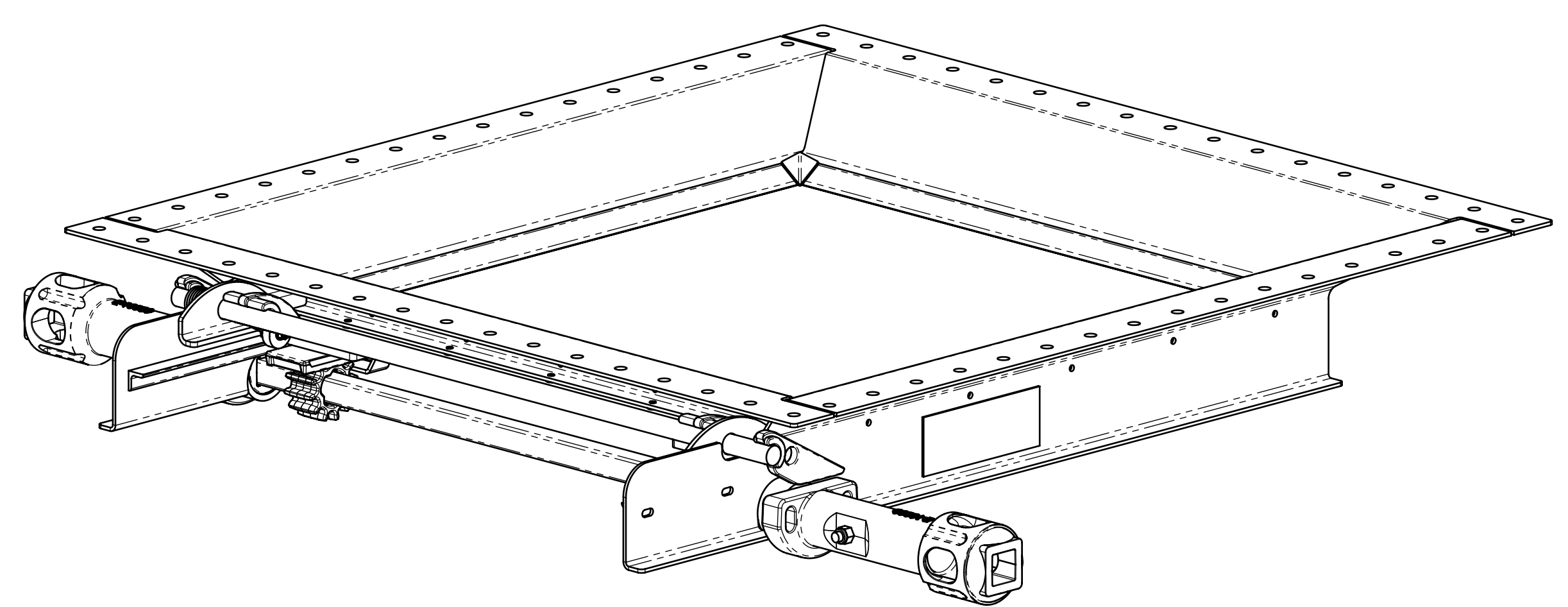
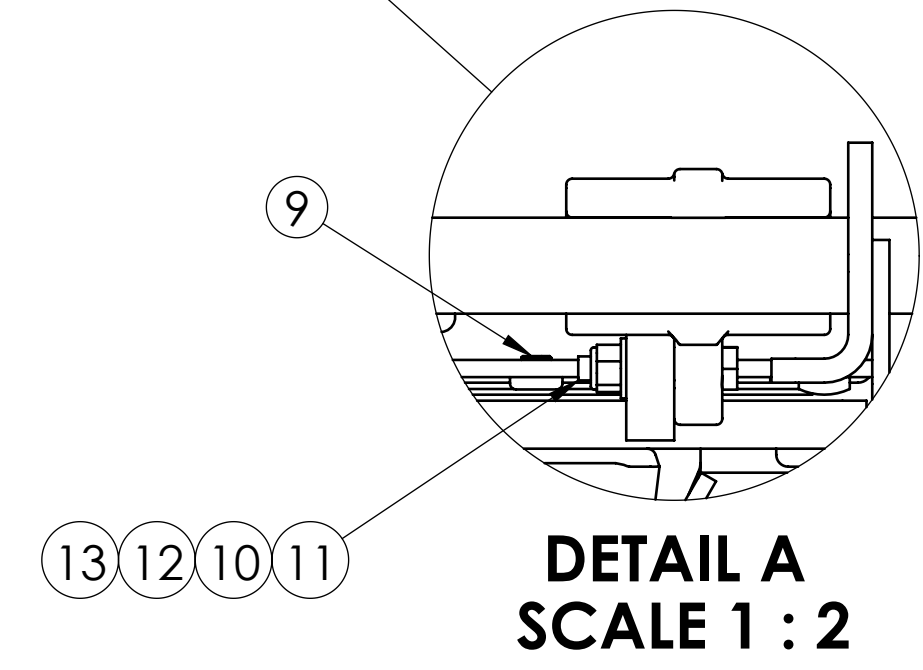
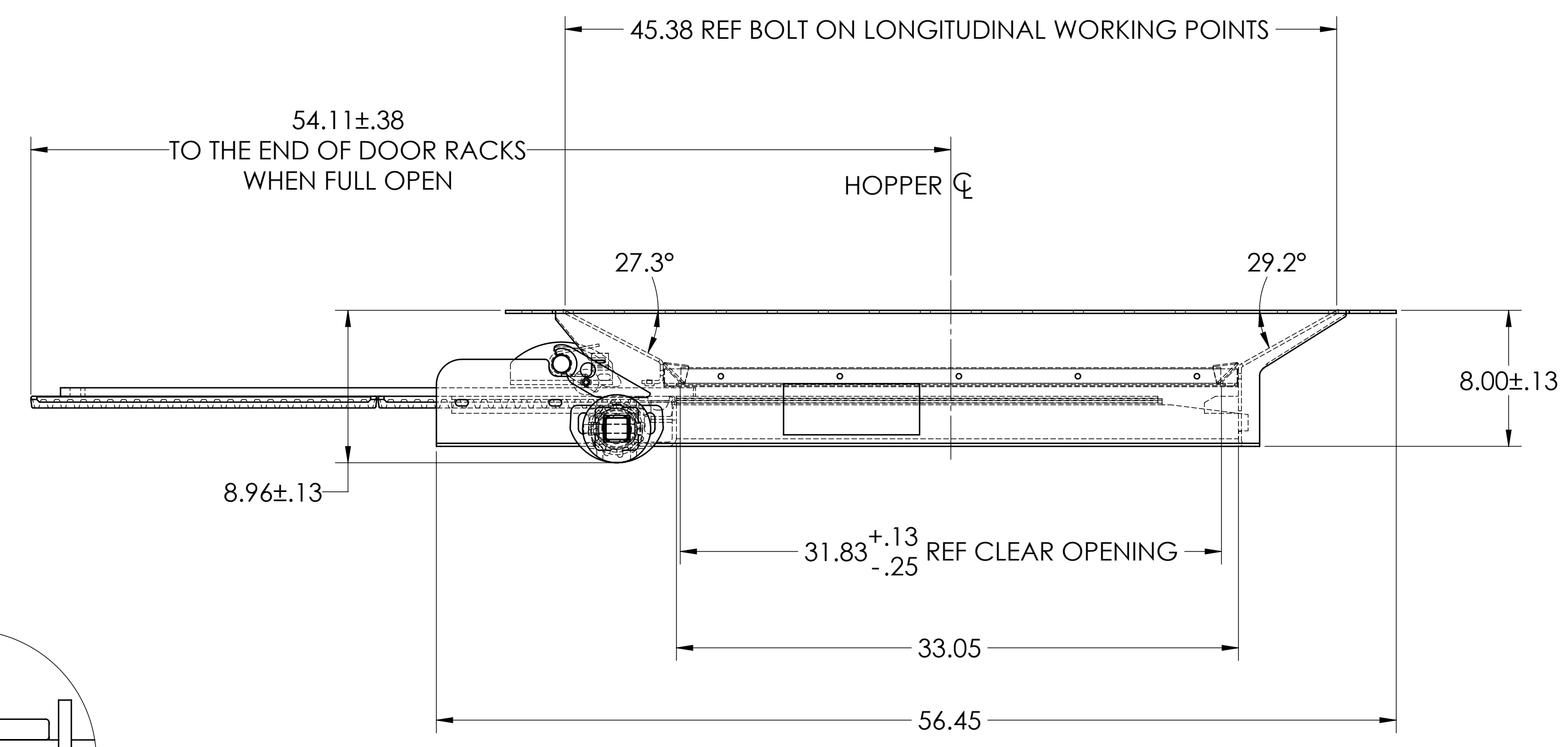
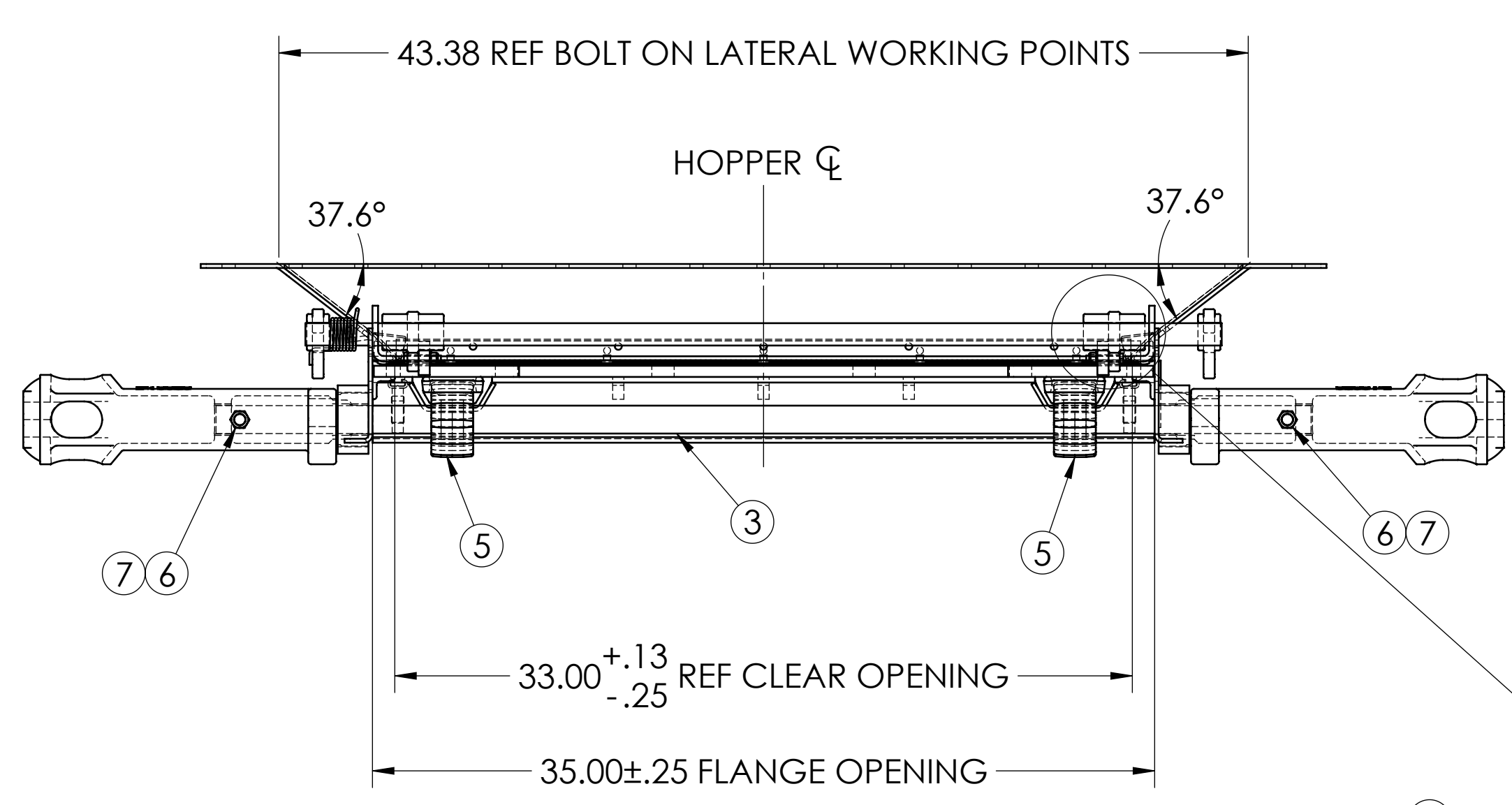


	MKE10608	MKE10703
SEAL FRAME	STAINLESS STEEL	CARBON STEEL
RUNNER CHANNEL	STAINLESS STEEL	CARBON STEEL
SEAL FRAME WELD	FULL WELD	PLUG WELDS
BUMP GUARDS	YES	NO



ITEM	MKE10608	MKE10703	PART NUMBER	DESCRIPTION	DRAWING NUMBER
1	1	-	MKE10609	FRAME ASSEMBLY	M-171-23
	-	1	MKE10704	FRAME ASSEMBLY	M-171-23
2	1	1	MKE10620	DOOR ASSEMBLY	M-171-31
3	1	1	MKE7237	OPERATING SHAFT	25481
4	2	2	MKE10080	OPERATING HANDLE WITH ACTIVATION CAM	M-85-12
5	2	2	MKE10129	SLIP PINION, SYMMETRIC	M-85-53
6	2	2	P30000615	1/2-20 LOCKNUT ZN	P30000615
7	2	2	P30000611	1/2-20 X3 HHCS ZN	P30000611
8	-	4	MKE10254	CARPET SEAL	M-85-21
	4	-	MKE10254SS	CARPET SEAL	M-85-21
9	5	5	P30000280	BUTTON GLIDE	P30000280
10	2	-	P10342001	BUMP GUARD	M-85-81
11	2	-	P30000214	1/4-20 X 1-1/2 HHCS	P30000214
12	2	-	P30000209	1/4 WASHER	P30000209
13	2	-	P30000203	1/4-20 LOCKNUT	P30000203

NOTES:
 1. GATE IS DESIGNED WITH CLEARANCE TO ACCOMODATE HIGH BUILD COATINGS, I.E. CARBOLINE EPOXY LINING.



THIS DRAWING IS THE PROPERTY OF MINER ENTERPRISES INC. WHO CLAIMS PROPRIETARY RIGHTS IN THE MATERIAL DISCLOSED. IT IS ISSUED IN CONFIDENCE FOR ENGINEERING INFORMATION ONLY AND MAY NOT BE COPIED OR USED FOR MANUFACTURE OF ANYTHING SHOWN WITHOUT SPECIFIC WRITTEN PERMISSION FROM MINER ENTERPRISES INC. COPYRIGHT MINER ENTERPRISES, INC. 2004.

MINER ENTERPRISES INC.
 W. H. MINER DIVISION
 1200 EAST STATE STREET GENEVA, IL 60134

30 X 30 AutoLOK II GATE ARRANGEMENT WITH WIDE RUNNER SPACING

PART	SEE BOM	MATERIAL	SEE BOM
WEIGHT			
DEVICE			
REFERENCE		SCALE	1:6
BY	BS	DATE	2/23/11
		BY	NBE
PATT / CAT NO.		DRAWING NO.	
SEE BOM		M-171-22	