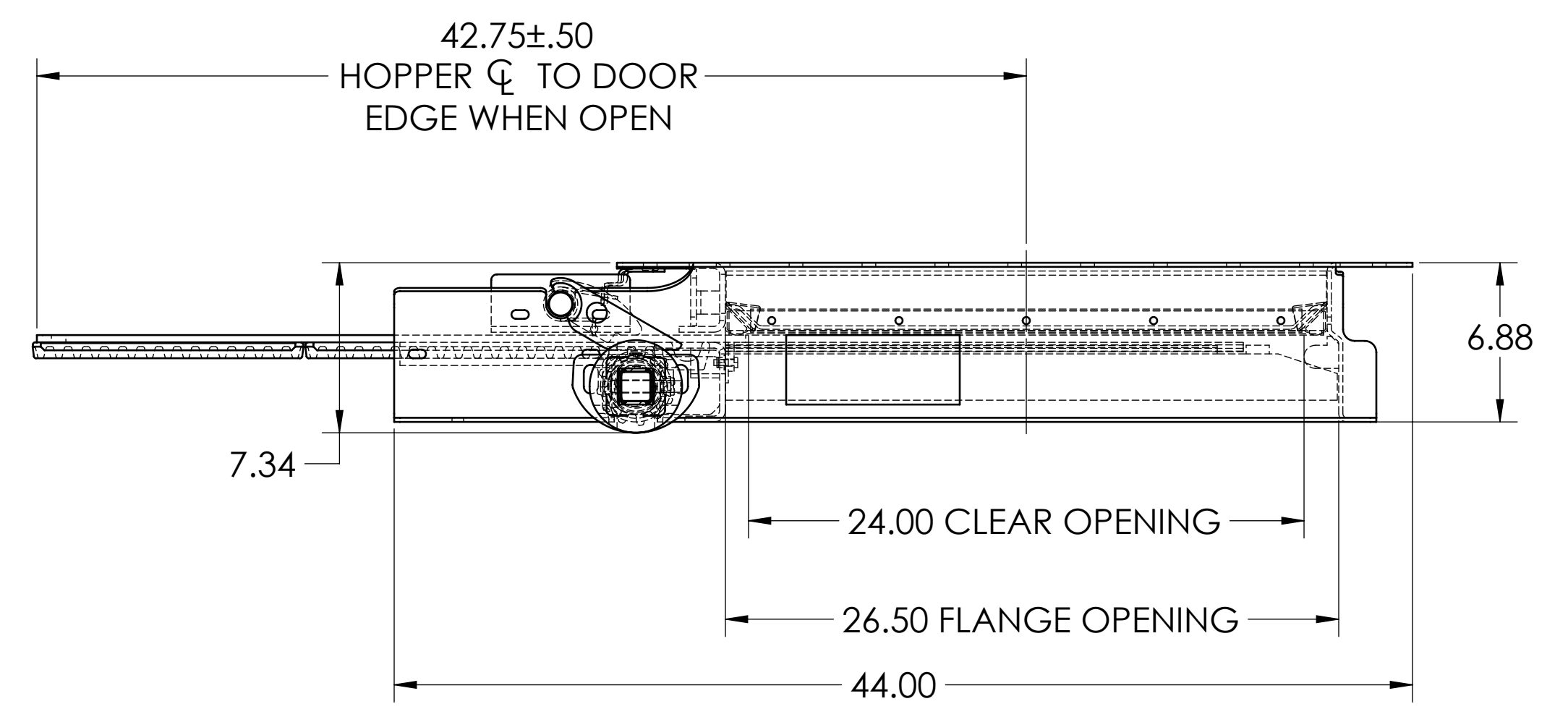
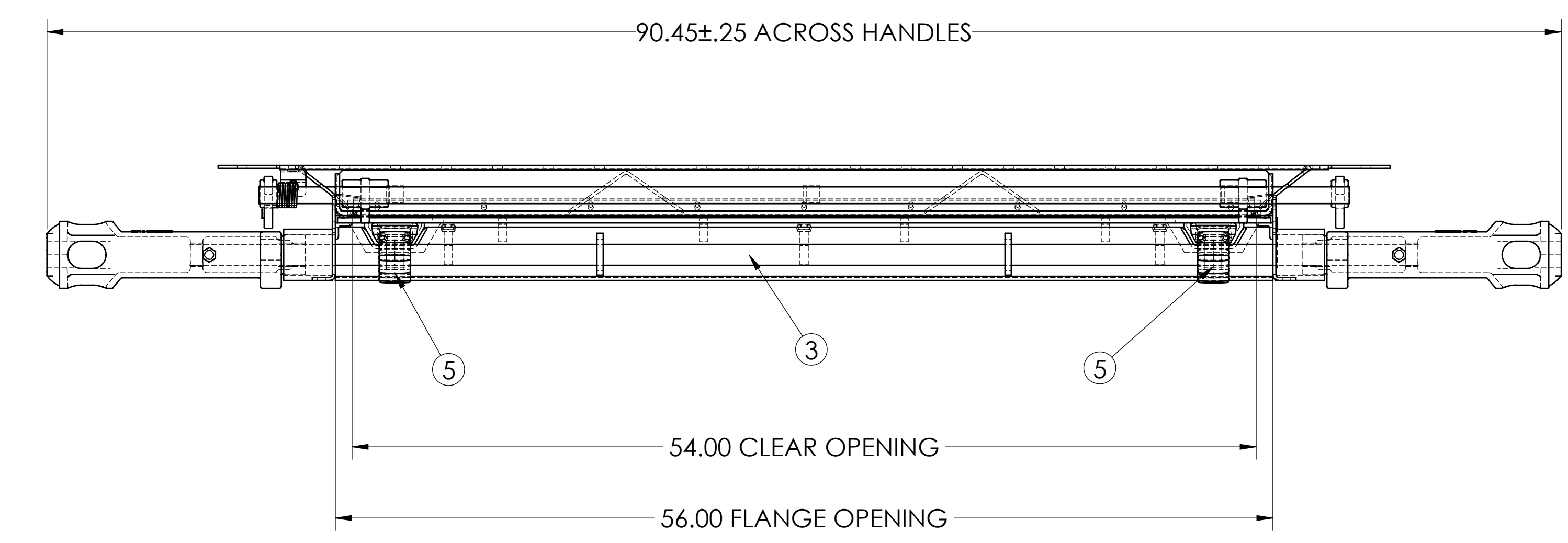
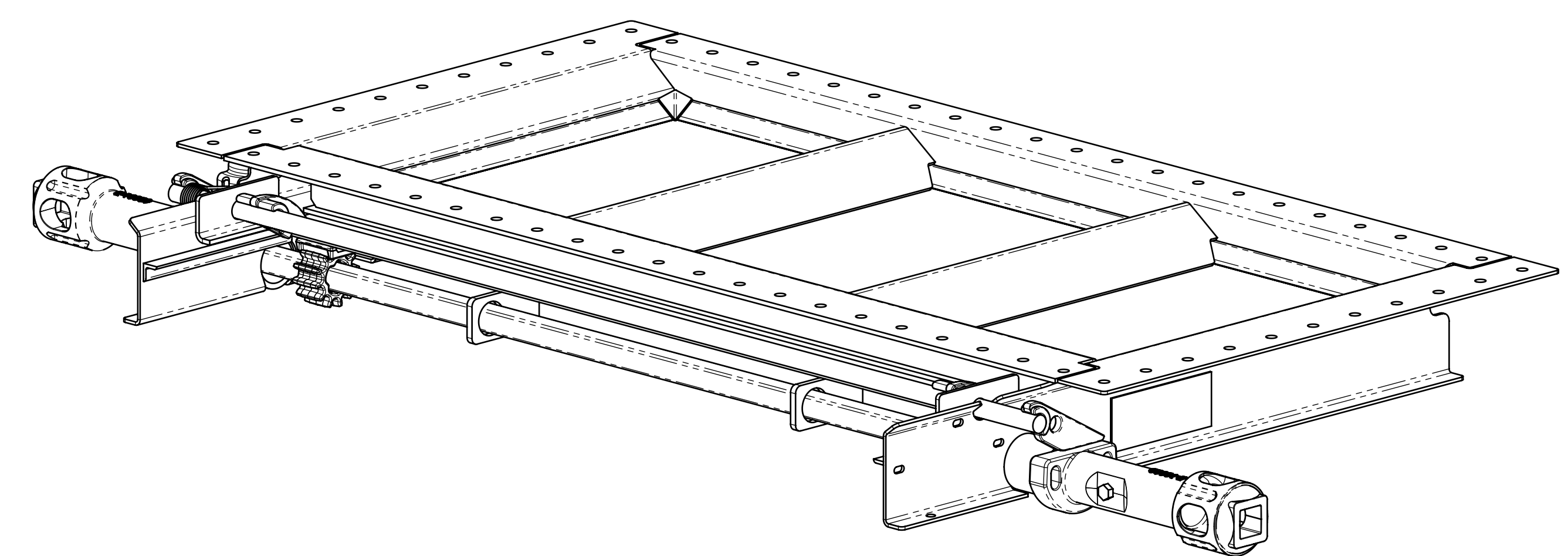
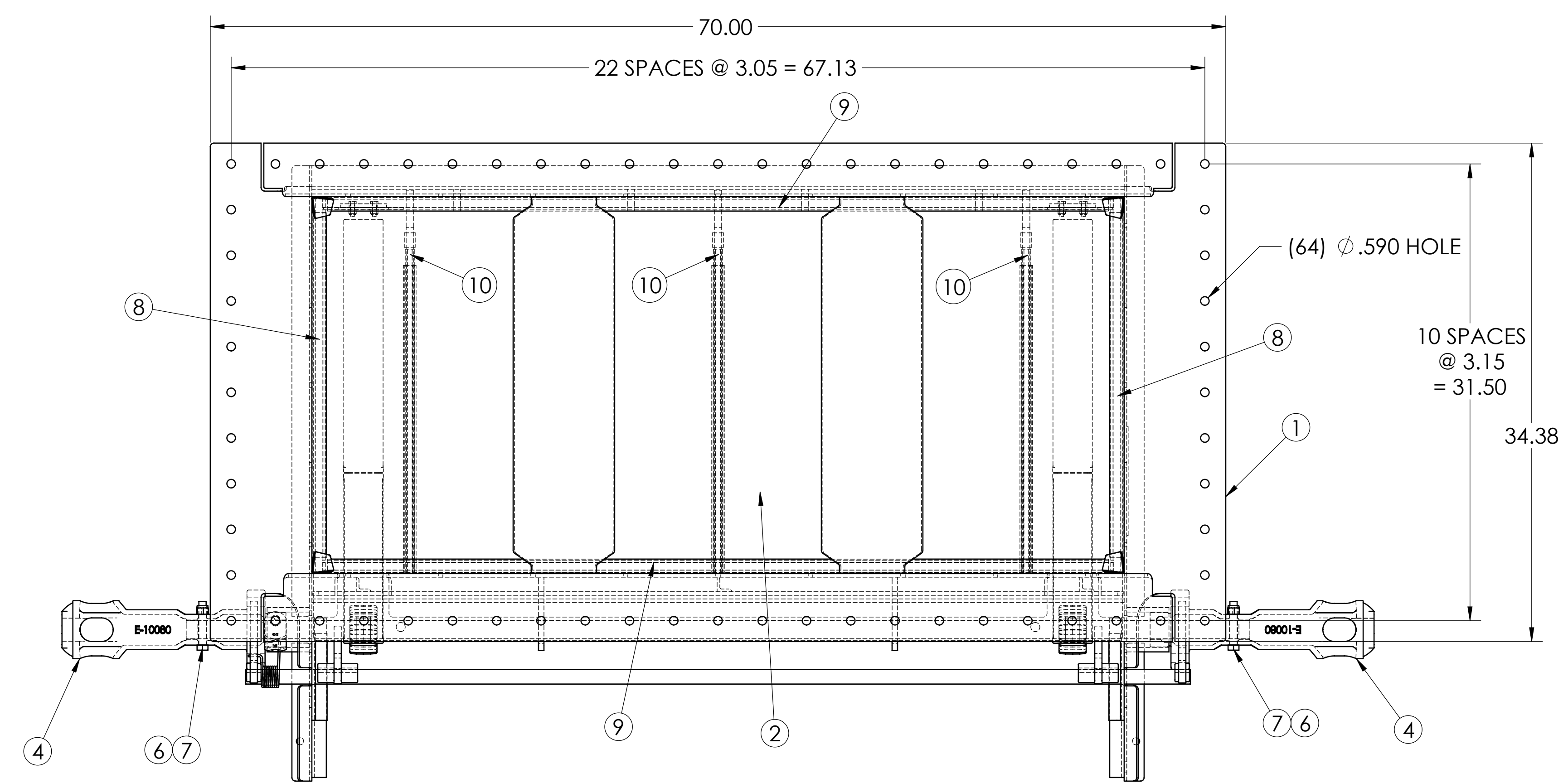


ITEM	QTY	PART NUMBER	DESCRIPTION	DRAWING NUMBER
1	1	MKE10572	FRAME ASSEMBLY	M-169-22
2	1	MKE10558	DOOR ASSEMBLY	M-169-11
3	1	MKE10562	OPERATING SHAFT	25481
4	2	MKE10080	OPERATING HANDLE WITH ACTIVATION CAM	M-85-12
5	2	MKE10129	SLIP PINION, SYMMETRIC	M-85-53
6	2	P30000615	1/2-20 LOCKNUT ZN	P30000615
7	2	P30000611	1/2-20 X3 HHCS ZN	P30000611
8	2	MKE10263	CARPET SEAL	M-85-21
9	2	MKE10561	CARPET SEAL	M-85-21
10	3	P10260003	DOOR SUPPORT RUNNER	M-85-39



THIS DRAWING IS THE PROPERTY OF MINER ENTERPRISES INC. WHO CLAIMS PROPRIETARY RIGHTS IN THE MATERIAL DISCLOSED. IT IS ISSUED IN CONFIDENCE FOR ENGINEERING INFORMATION ONLY AND MAY NOT BE COPIED OR USED FOR MANUFACTURE OF ANYTHING SHOWN WITHOUT SPECIFIC WRITTEN PERMISSION FROM MINER ENTERPRISES INC. COPYRIGHT MINER ENTERPRISES, INC. 2004.

MINER ENTERPRISES INC.
W. H. MINER DIVISION
1200 EAST STATE STREET GENEVA, IL 60134

TITLE: 24 X 54 AutoLOK II
64 HOLE GATE ARRANGEMENT

PART: MKE10571 MATERIAL: SEE
WEIGHT: 507.08 BOM

REFERENCE: SCALE: 1:6
BY: RMC DATE: 9/9/09 BY: BS SCH: D

E MKE10571 M-169-21