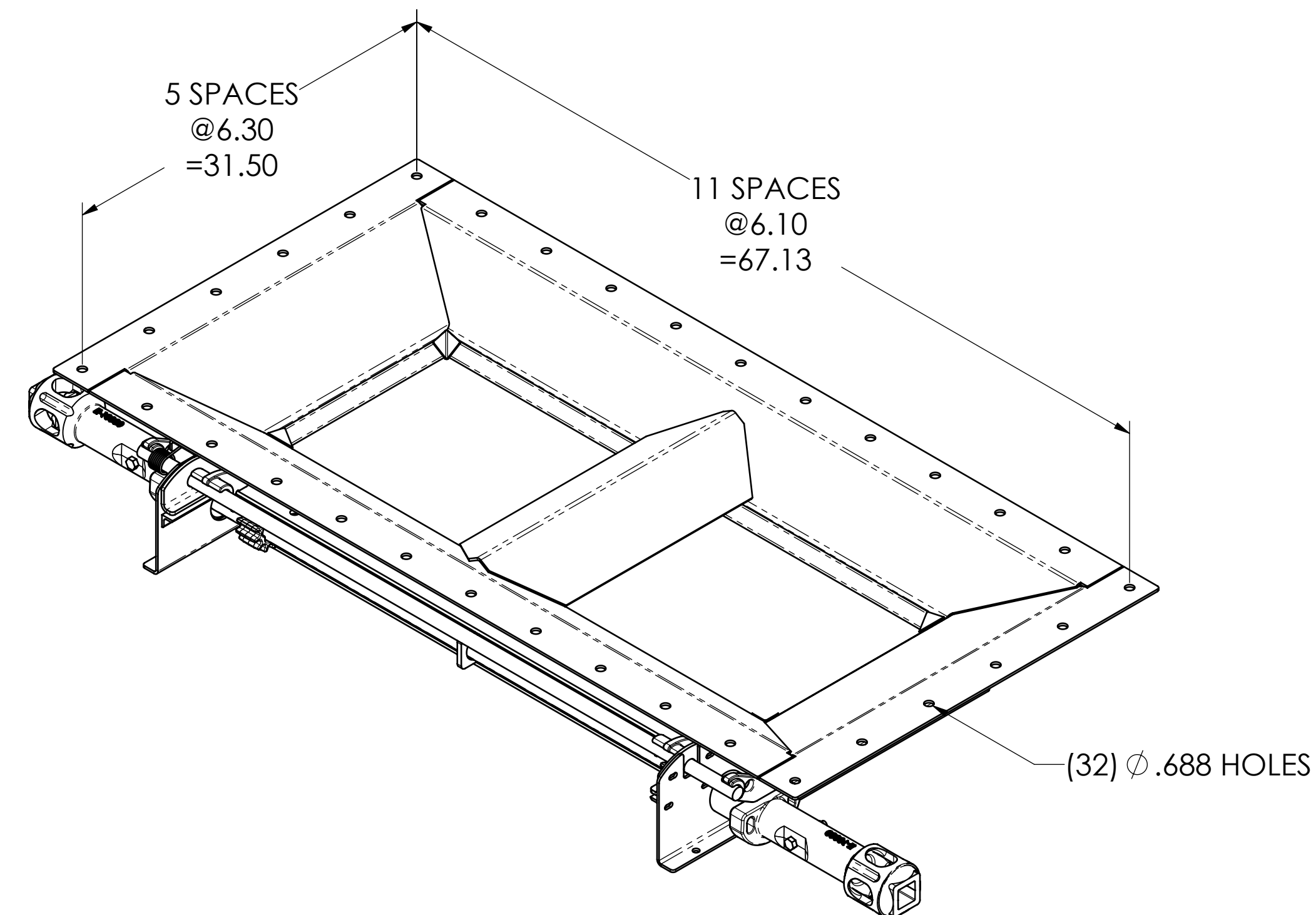
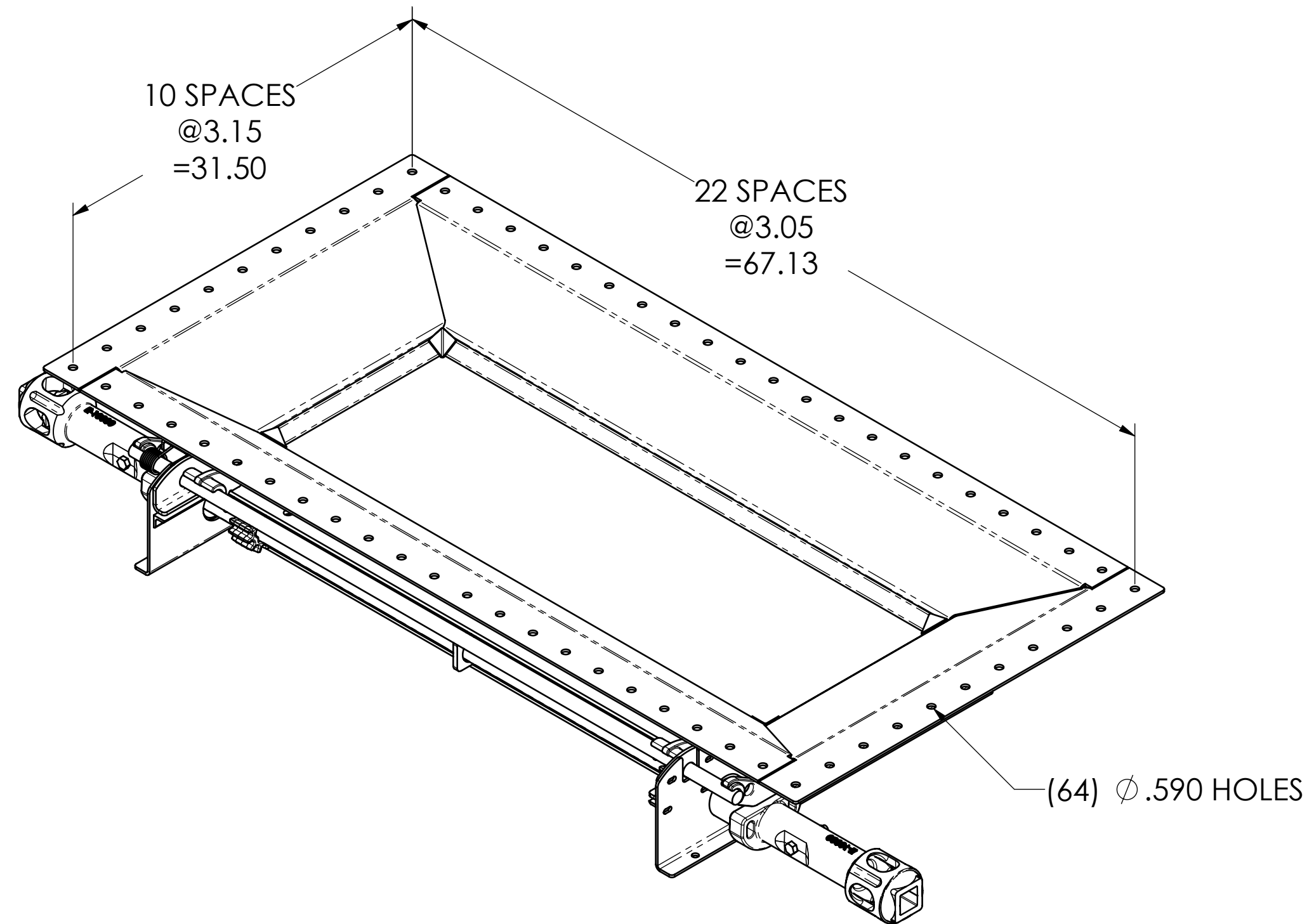


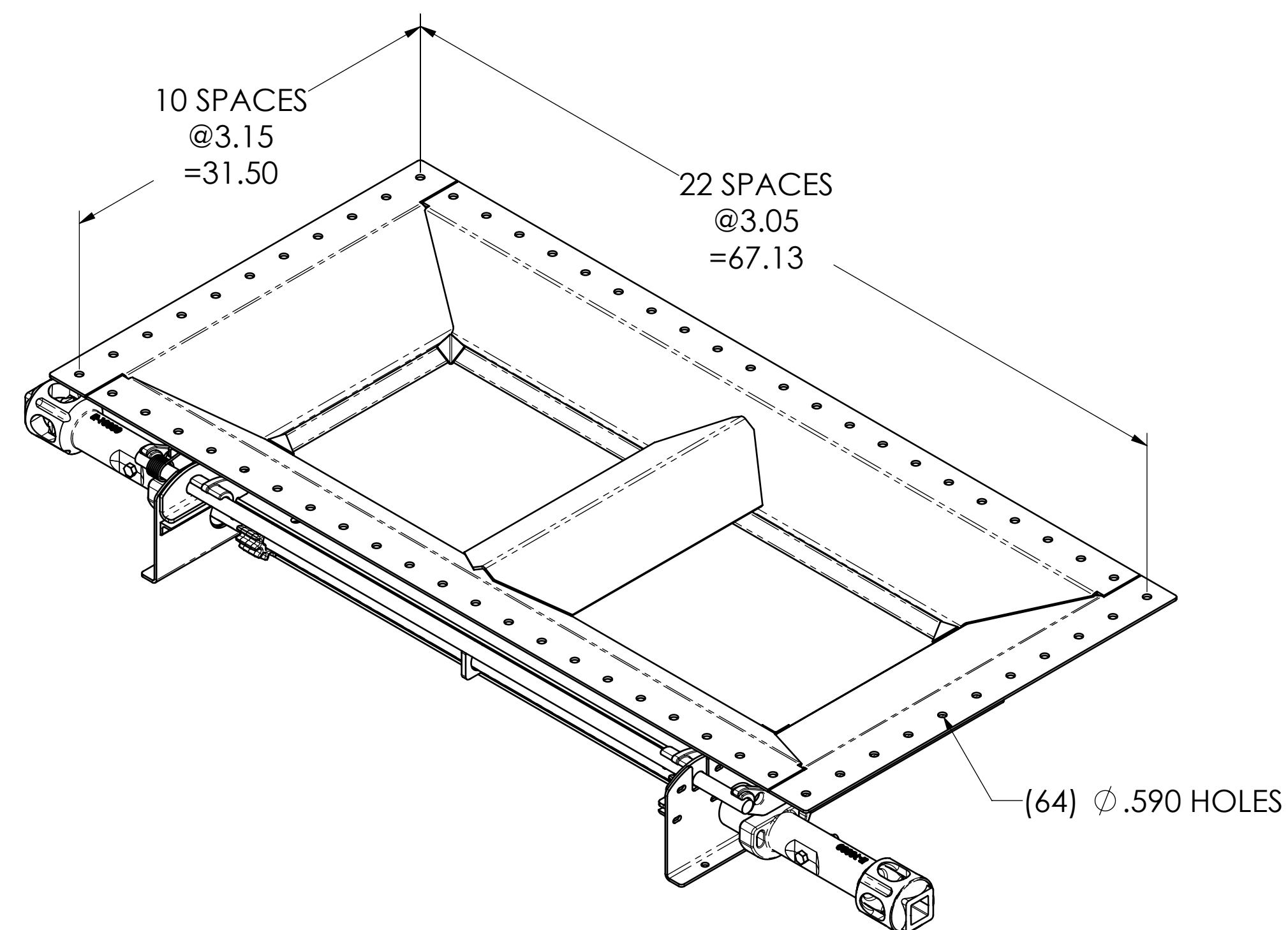
**MKE10625**



**MKE10625D  
WITH DEFLECTOR**



**MKE10626**



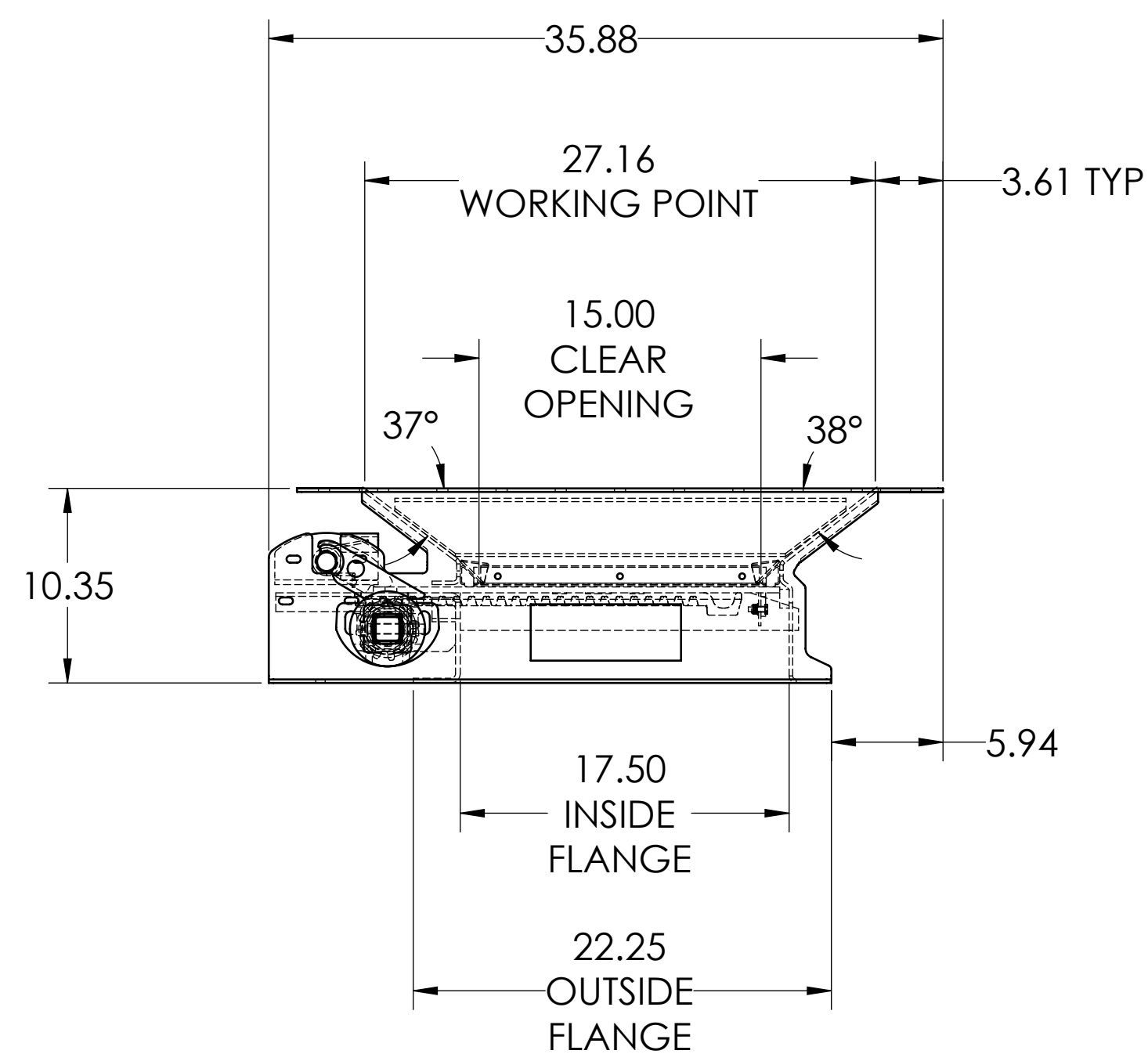
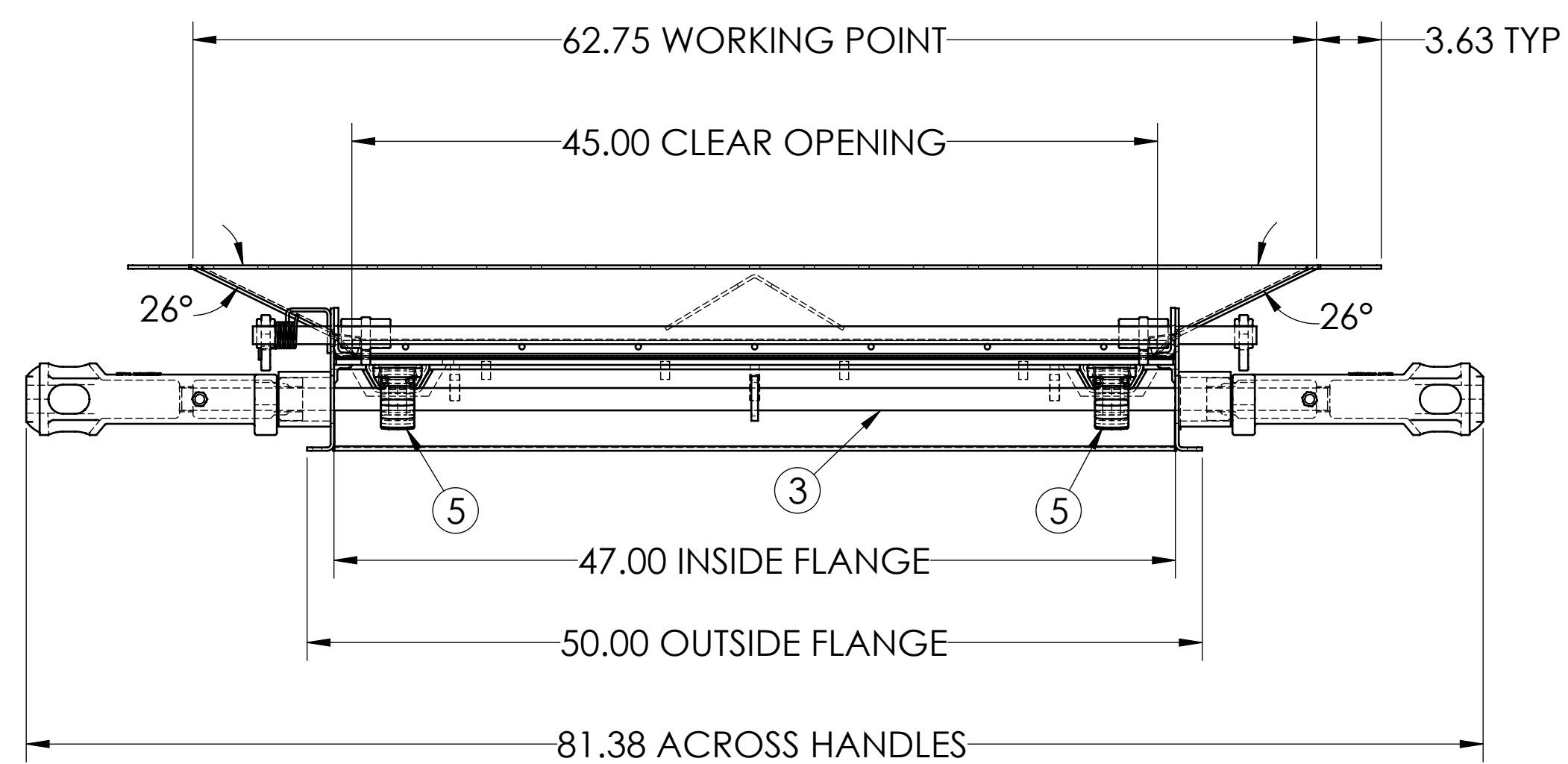
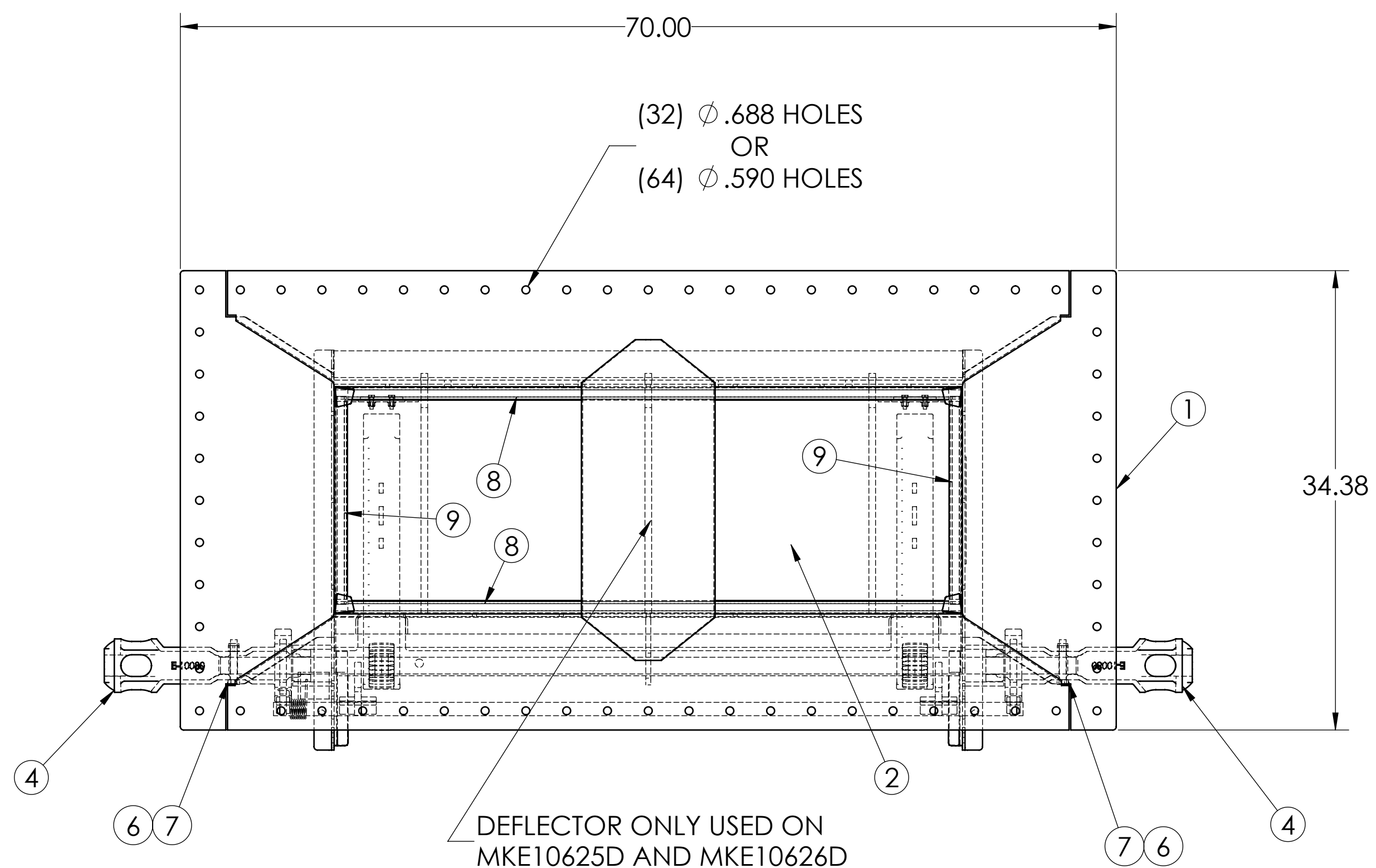
**MKE10626D  
WITH DEFLECTOR**

THIS DRAWING IS THE PROPERTY OF MINER ENTERPRISES INC. WHO CLAIMS PROPRIETARY RIGHTS IN THE MATERIAL DISCLOSED. IT IS ISSUED IN CONFIDENCE FOR ENGINEERING INFORMATION ONLY AND MAY NOT BE COPIED OR USED FOR MANUFACTURE OF ANYTHING SHOWN WITHOUT SPECIFIC WRITTEN PERMISSION FROM MINER ENTERPRISES INC. COPYRIGHT MINER ENTERPRISES, INC. 2007.

DIMENSIONAL TOLERANCES	
ALL DIMENSIONS IN INCHES UNLESS OTHERWISE SPECIFIED	
UNLESS OTHERWISE SPECIFIED:	TOLERANCES ARE NOT ACCUMULATIVE
2 PL. DEC.: ±0.06	
3 PL. DEC.: ±0.031	
ANGLES: ±1°	MILLIMETERS: ±0.13
	MM 1 PL. DEC.: ±

<b>MINER</b> ENTERPRISES INC.	
W. H. MINER DIVISION	
1200 EAST STATE STREET	GENEVA, IL 60134
TITLE <b>13 X 42 GATE ARRANGEMENT</b>	
PART: SEE BOM	MATERIAL: SEE LIST
DEVICE: 13 X 42 LOW PROFILE AutoLOK II	
REFERENCE:	SCALE: 1:8
DR BY: RMC	DATE: 4/26/11
CHK BY: BS	REV: 01

ITEM	MKE10625/QTY	MKE10625D/QTY	MKE10626/QTY	MKE10626D/QTY	PART NUMBER	DESCRIPTION	DRAWING NUMBER
1	-	-	1	-	MKE10628	FRAME ASSEMBLY, 64 B.H.	M-159-22
	-	-	-	1	MKE10628D	FRAME ASSEMBLY, 64 B.H. WITH DEFLECTOR	M-159-22
	1	-	-	-	MKE10627	FRAME ASSEMBLY, 32 B.H.	M-159-22
	-	1	-	-	MKE10627D	FRAME ASSEMBLY, 32 B.H. WITH DEFLECTOR	M-159-22
2	1	1	1	1	MKE10406	DOOR ASSEMBLY	M-99-106
3	1	1	1	1	MKE7551	OPERATING SHAFT	25481
4	2	2	2	2	MKE10080	OPERATING HANDLE WITH ACTIVATION CAM	M-85-12
5	2	2	2	2	MKE10129	SLIP PINION, SYMMETRIC	M-85-53
6	2	2	2	2	P30000615	1/2-20 LOCKNUT ZN	P30000615
7	2	2	2	2	P30000611	1/2-20 X3 HHCS ZN	P30000611
8	2	2	2	2	MKE10404	CARPET SEAL	M-85-21
9	2	2	2	2	MKE10316	CARPET SEAL	M-85-21



THIS DRAWING IS THE PROPERTY OF MINER ENTERPRISES INC. WHO CLAIMS PROPRIETARY RIGHTS IN THE MATERIAL DISCLOSED. IT IS ISSUED IN CONFIDENCE FOR ENGINEERING INFORMATION ONLY AND MAY NOT BE COPIED OR USED FOR MANUFACTURE OF ANYTHING SHOWN WITHOUT SPECIFIC WRITTEN PERMISSION FROM MINER ENTERPRISES INC. COPYRIGHT MINER ENTERPRISES, INC. 2007.

**MINER ENTERPRISES INC.**  
**W. H. MINER DIVISION**  
 1200 EAST STATE STREET GENEVA, IL 60134

**13 X 42 GATE ARRANGEMENT**

SEE BOM SEE LIST

13 X 42 LOW PROFILE AutoLOK II

SCALE: 1:8

DATE: 4/26/11 BY: BS

SEE BOM M-159-21