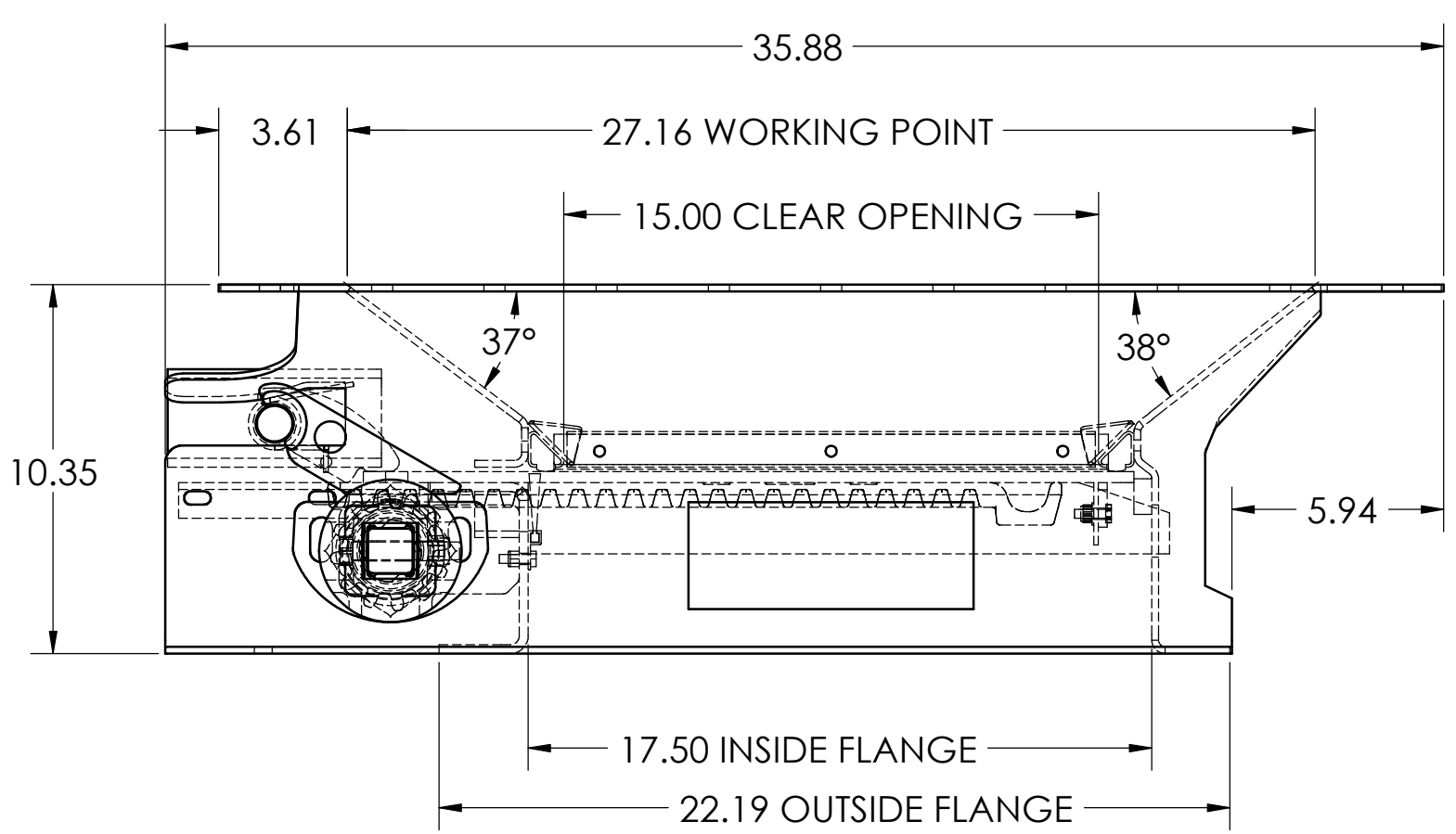
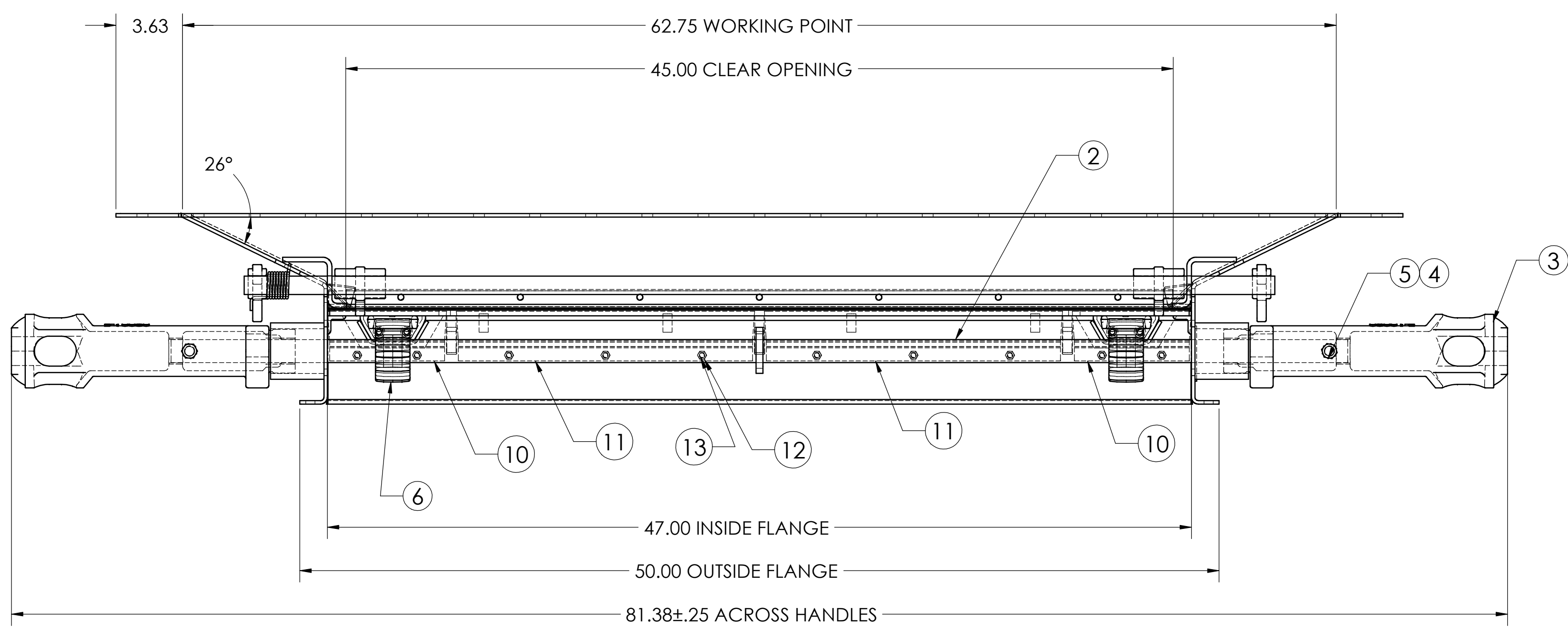


ITEM	MKE10512/QTY. STANDARD NO BRUSH SEALS	MKE10513/QTY. WITH BRUSH SEALS	PART NUMBER	DESCRIPTION	DRAWING NUMBER
1	1	-	MKE10583	FRAME ASSEMBLY	M-159-2
	-	1	MKE10584	FRAME ASSEMBLY	
2	1	1	MKE7551	OPERATING SHAFT	25481
3	2	2	MKE10080	OPERATING HANDLE WITH ACTIVATION CAM	M-85-12
4	2	2	P30000611	1/2-20 X3 HHCS ZN	P30000611
5	2	2	P30000615	1/2-20 LOCKNUT ZN	P30000615
6	2	2	MKE10129	SLIP PINION, SYMMETRIC	M-85-53
7	2	2	MKE10404	CARPET SEAL	M-85-21
8	2	2	MKE10316	CARPET SEAL	M-85-21
9	1	1	MKE10406	DOOR ASSEMBLY	M-99-106
10	-	2	P10252004	BOTTOM SEAL (6.25)	M-99-59-2
11	-	2	P10415001	BOTTOM SEAL (16.00)	M-99-59-1
12	-	10	P30000203	1/4-20 LOCKNUT	P30000203
13	-	10	P30000207	1/4-20 X 7/8 HHCS ZN	P30000207

NOTES:
 MKE10512 - STANDARD, NO BRUSH SEALS.
 MKE10513 - WITH BRUSH SEALS BELOW THE DOOR TO REDUCE LEAKAGE DURING UNLOADING.



THIS DRAWING IS THE PROPERTY OF MINER ENTERPRISES INC. WHO CLAIMS PROPRIETARY RIGHTS IN THE MATERIAL DISCLOSED. IT IS ISSUED IN CONFIDENCE FOR ENGINEERING INFORMATION ONLY AND MAY NOT BE COPIED OR USED FOR MANUFACTURE OF ANYTHING SHOWN WITHOUT SPECIFIC WRITTEN PERMISSION FROM MINER ENTERPRISES INC. COPYRIGHT MINER ENTERPRISES, INC. 2004.

MINER ENTERPRISES INC.
 W. H. MINER DIVISION
 1200 EAST STATE STREET GENEVA, IL 60134

GATE ARRANGEMENT

DATE: 4/24/2007 BY: P.J.
 SCALE: 1:5
 DRAWING NO.: M-159-10

SEE BOM