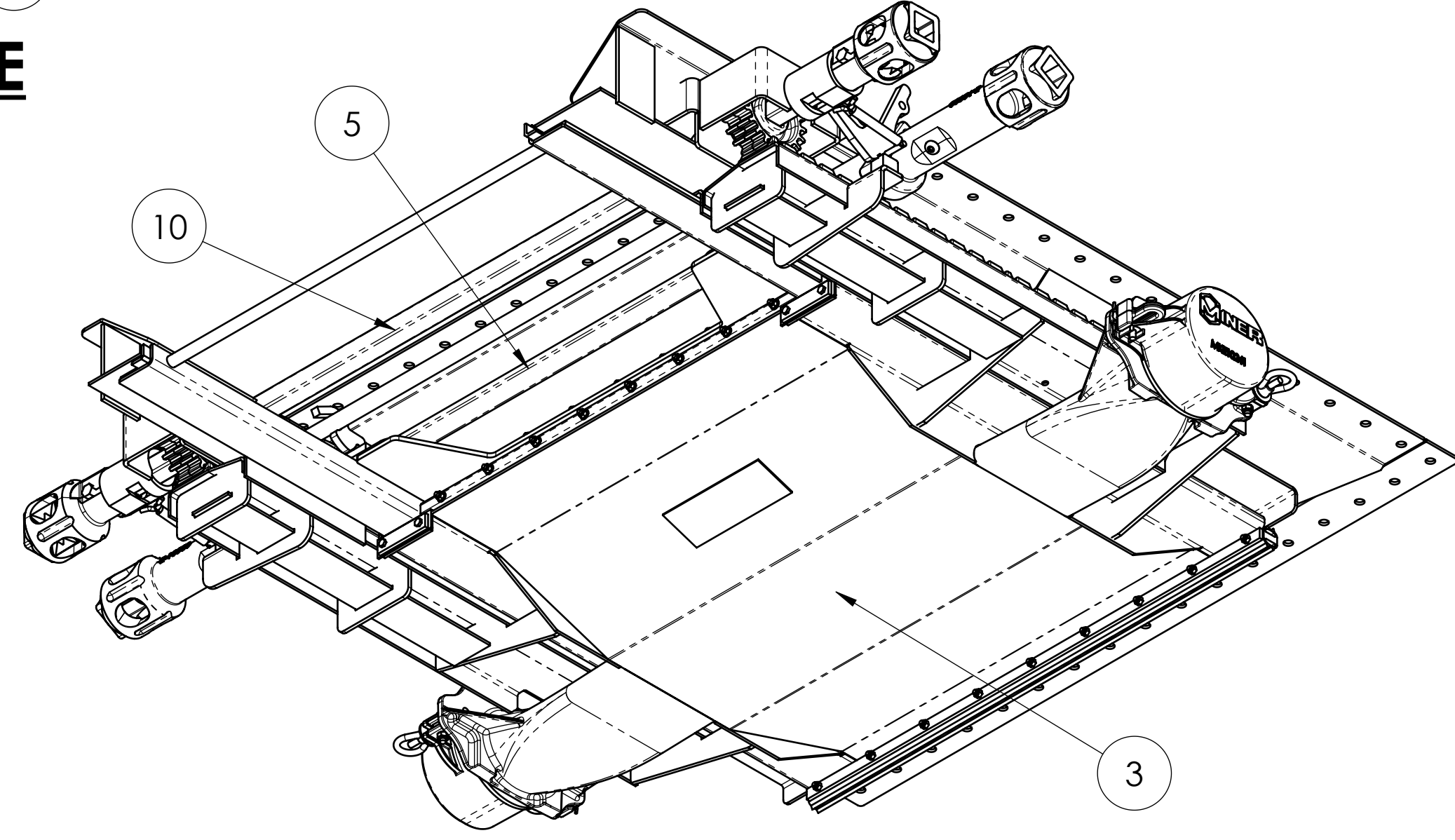


TOP OF GATE

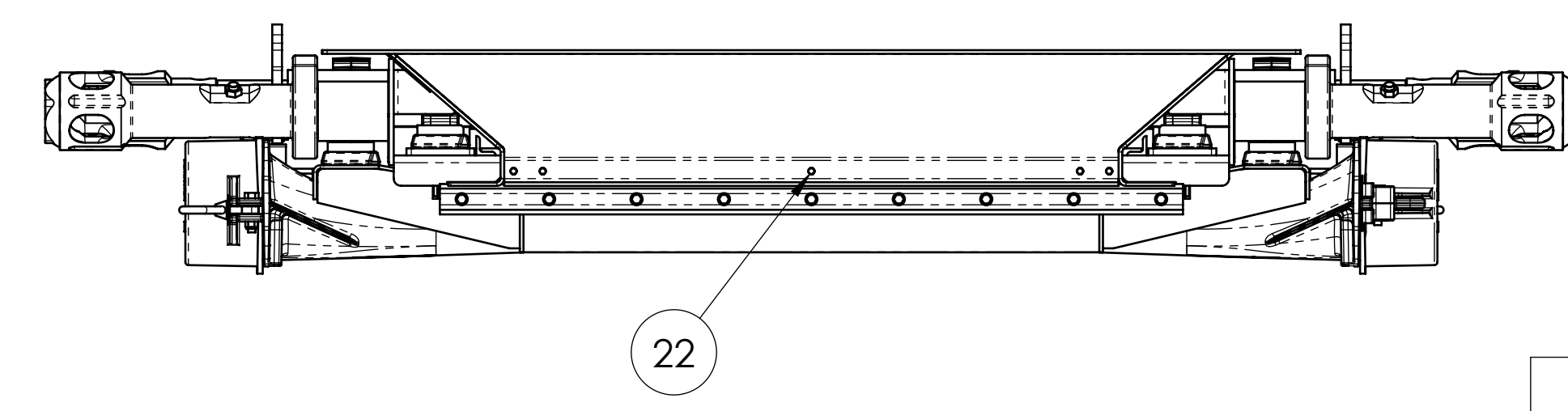
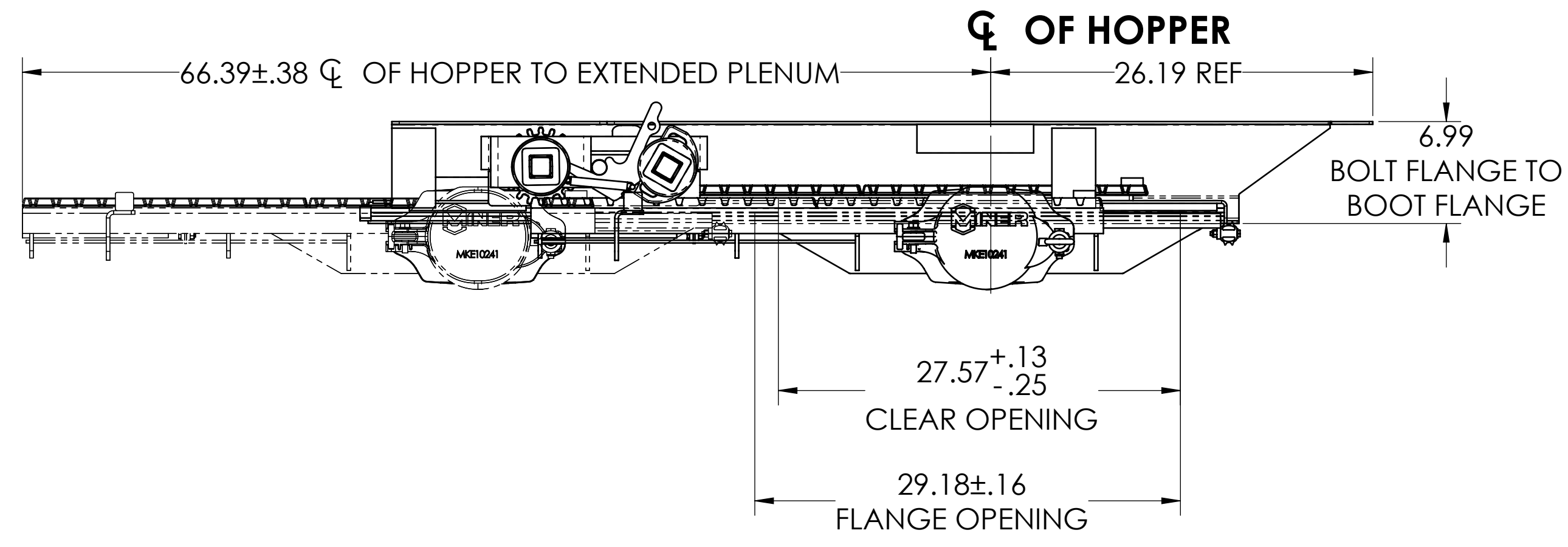
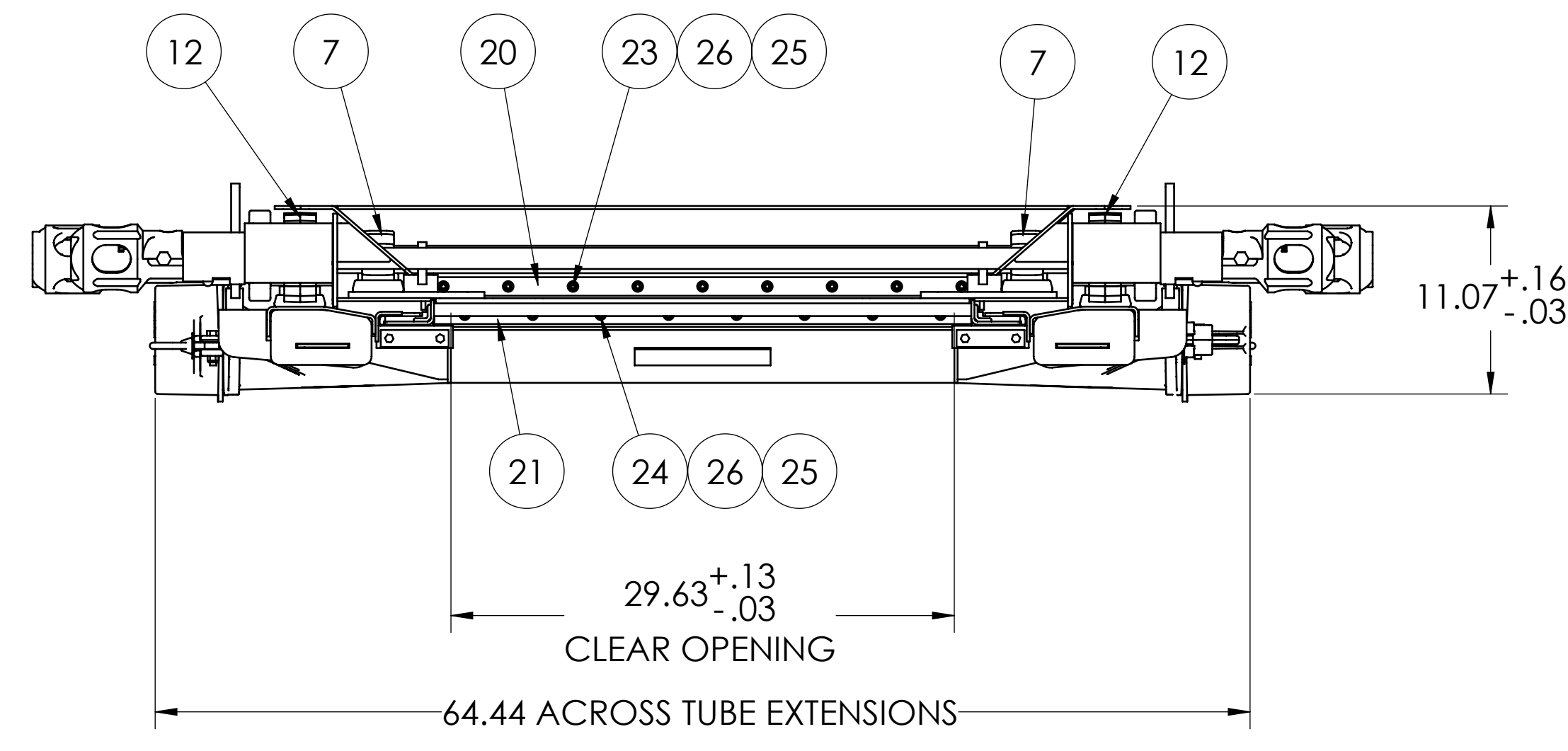


BOTTOM OF GATE

A MOUNTING GASKET WITH THE FOLLOWING PROPERTIES IS RECOMMENDED:

- FDA APPROVED MATERIALS
- DUAL DUROMETER
- HOLLOW BULB
- FOR UP TO 70 FT-LBS OF FASTENER TORQUE
- EXAMPLE: CENTRAL SALES AND SERVICE 44048

| ITEM | MKE10410 QTY WITH PLENUM HOOD | PART NUMBER | DESCRIPTION | DRAWING NUMBER |
|------|-------------------------------|-------------|--------------------------------------|----------------|
| 1 | 1 | P10405005 | FRAME ASS'Y | M-153-2 |
| 2 | 1 | MKE10272 | DOOR ASSEMBLY | M-133-29 |
| 3 | 1 | MKE10407 | PLENUM CHAMBER ASSEMBLY | M-153-15 |
| 4 | 2 | P30005014 | LOCK SPRING | 30005014 |
| 5 | 1 | MKE10216 | OPERATING SHAFT - DOOR | M-133-56 |
| 6 | 2 | MKE10080 | OPERATING HANDLE WITH ACTIVATION CAM | M-85-12 |
| 7 | 2 | MKE7029-1 | PINION, 12 TOOTH | 25425-1 |
| 8 | 2 | P30000642 | 1/2-13 X 2 1/2 BHB | P30000642 |
| 9 | 2 | P30000643 | 1/2 - 13 JAM NUT | P30000643 |
| 10 | 1 | MKE10217 | OPERATING SHAFT - PLENUM | M-133-57 |
| 11 | 2 | MKE8261 | OPERATING HANDLE | 30776 |
| 12 | 2 | MKE10208 | PINION, 20 TOOTH | M-133-8 |
| 13 | 2 | P30000615 | 1/2-20 LOCKNUT ZN | P30000615 |
| 14 | 2 | P30000611 | 1/2-20 X3 HHCS ZN | P30000611 |
| 15 | 2 | MKE10169-7 | DOOR SUPPORT RUNNER (SIDE) | M-133-15 |
| 16 | 1 | MKE10169-5 | DOOR SUPPORT RUNNER (FRONT) | M-133-15 |
| 17 | 1 | MKE10215 | BOTTOM RUNNER | M-140-15 |
| 18 | 1 | P10267014 | DOOR SUPPORT RUNNER | M-140-61 |
| 19 | 2 | MKE10426 | SANITARY RUNNER | M-140-17 |
| 20 | 1 | MKE10248-1 | SEAL, REAR | M-140-28 |
| 21 | 1 | MKE10248-2 | SEAL, BOTTOM | M-140-28 |
| 22 | 5 | P30000151 | #12 HHSMS ZN PLT | P30000151 |
| 23 | 9 | P30000228 | 1/4-20 X 1 7/8 HHCS ZN | P30000228 |
| 24 | 8 | P30000211 | 1/4-20 X 4 1/2 HHCS SS | P30000211 |
| 25 | 17 | P30000203 | 1/4-20 LOCKNUT | P30000203 |
| 26 | 17 | P30000209 | 1/4 WASHER | P30000209 |



THIS DRAWING IS THE PROPERTY OF MINER ENTERPRISES INC. WHO CLAIMS PROPRIETARY RIGHTS IN THE MATERIAL DISCLOSED. IT IS ISSUED IN CONFIDENCE FOR ENGINEERING INFORMATION ONLY AND MAY NOT BE COPIED OR USED FOR MANUFACTURE OF ANYTHING SHOWN WITHOUT SPECIFIC WRITTEN PERMISSION FROM MINER ENTERPRISES INC. COPYRIGHT MINER ENTERPRISES, INC. 2004.

MINER ENTERPRISES INC.
W. H. MINER DIVISION
 1200 EAST STATE STREET GENEVA, IL 60134

GATE ARRANGEMENT

DATE: 5/6/2003 BY: BS
 DRAWING NO.: M-153-10

SEE BOM