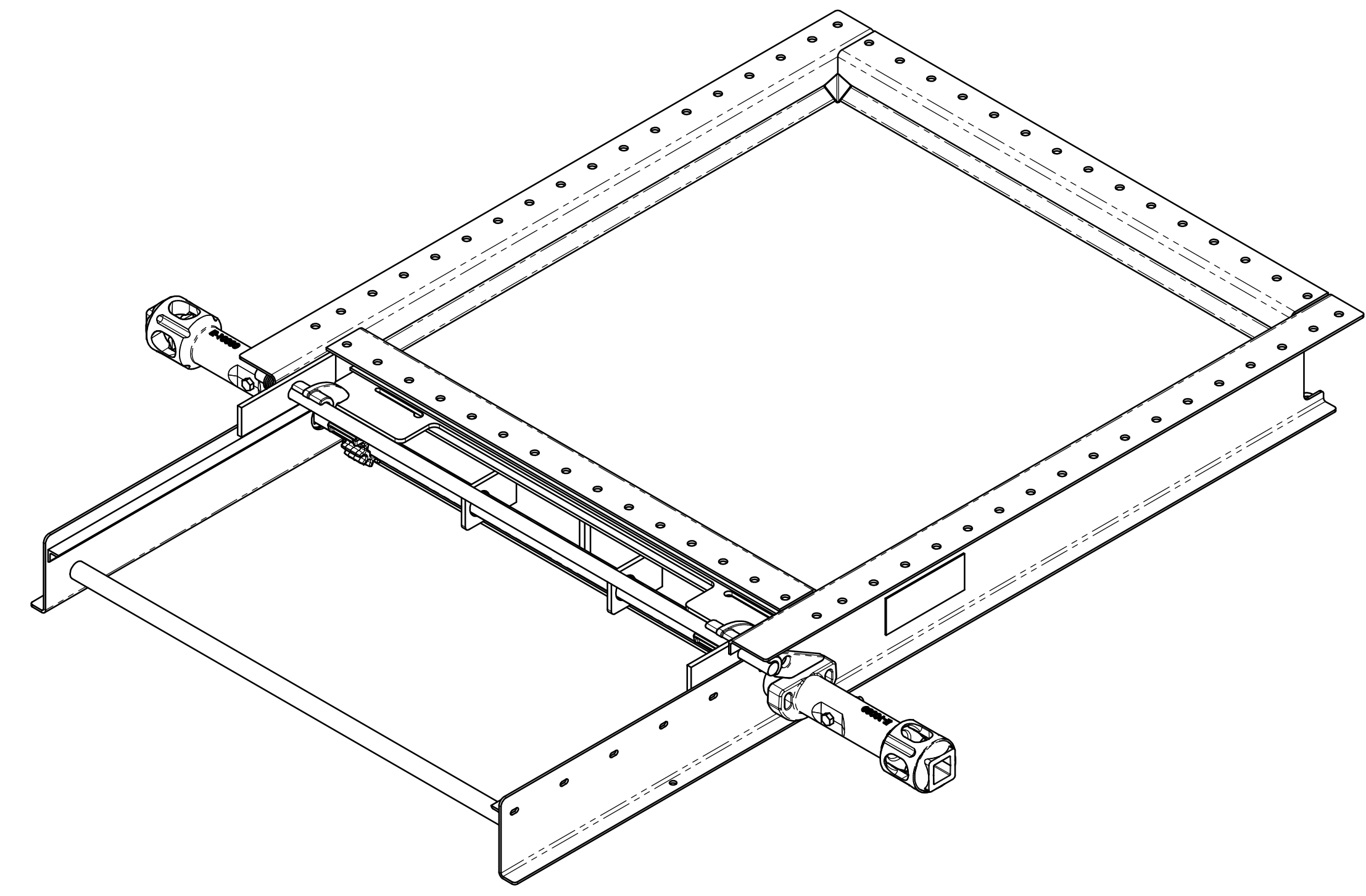


ITEM	QTY	PART NUMBER	DESCRIPTION	DRAWING NUMBER
1	1	MKE10605	FRAME ASSEMBLY	M-151-53
2	1	MKE10606	DOOR ASSEMBLY	M-151-58
3	2	MKE10122	CARPET SEAL	M-85-21
4	2	MKE10398	CARPET SEAL	M-85-21
5	1	MKE10400	OPERATING SHAFT	25481
6	2	MKE10129	SLIP PINION, SYMMETRIC	M-85-53
7	2	MKE10080	OPERATING HANDLE WITH ACTIVATION CAM	M-85-12
8	2	P30000611	1/2-20 X3 HHCS ZN	P30000611
9	2	P30000615	1/2-20 LOCKNUT ZN	P30000615



THIS DRAWING IS THE PROPERTY OF MINER ENTERPRISES INC. WHO CLAIMS PROPRIETARY RIGHTS IN THE MATERIAL DISCLOSED. IT IS ISSUED IN CONFIDENCE FOR ENGINEERING INFORMATION ONLY AND MAY NOT BE COPIED OR USED FOR MANUFACTURE OF ANYTHING SHOWN WITHOUT SPECIFIC WRITTEN PERMISSION FROM MINER ENTERPRISES INC. COPYRIGHT MINER ENTERPRISES, INC. 2002.

DIMENSIONAL TOLERANCES
 ALL DIMENSIONS IN INCHES UNLESS OTHERWISE SPECIFIED
 UNLESS OTHERWISE SPECIFIED: TOLERANCES ARE NOT ACCUMULATIVE
 2 PL. DEC: ±0.06
 3 PL. DEC: ±0.031
 ANGLES: ±1°
 MILLIMETERS: MM/PL. DEC: ±

MINER ENTERPRISES INC.
 W. H. MINER DIVISION
 1200 EAST STATE STREET GENEVA, IL 60134

TITLE: **42 x 42 GATE ARRANGEMENT**

PART: SEE LIST
 WEIGHT: 597.75
 DEVICE: 42 X 42 AutoLOK II
 SCALE: 1:6

OR BY: BS DATE: 1/31/11 DESIGNED BY: RMC
 PART/CAT NO: MKE10604 DRAWING NO: M-151-52 REV. B