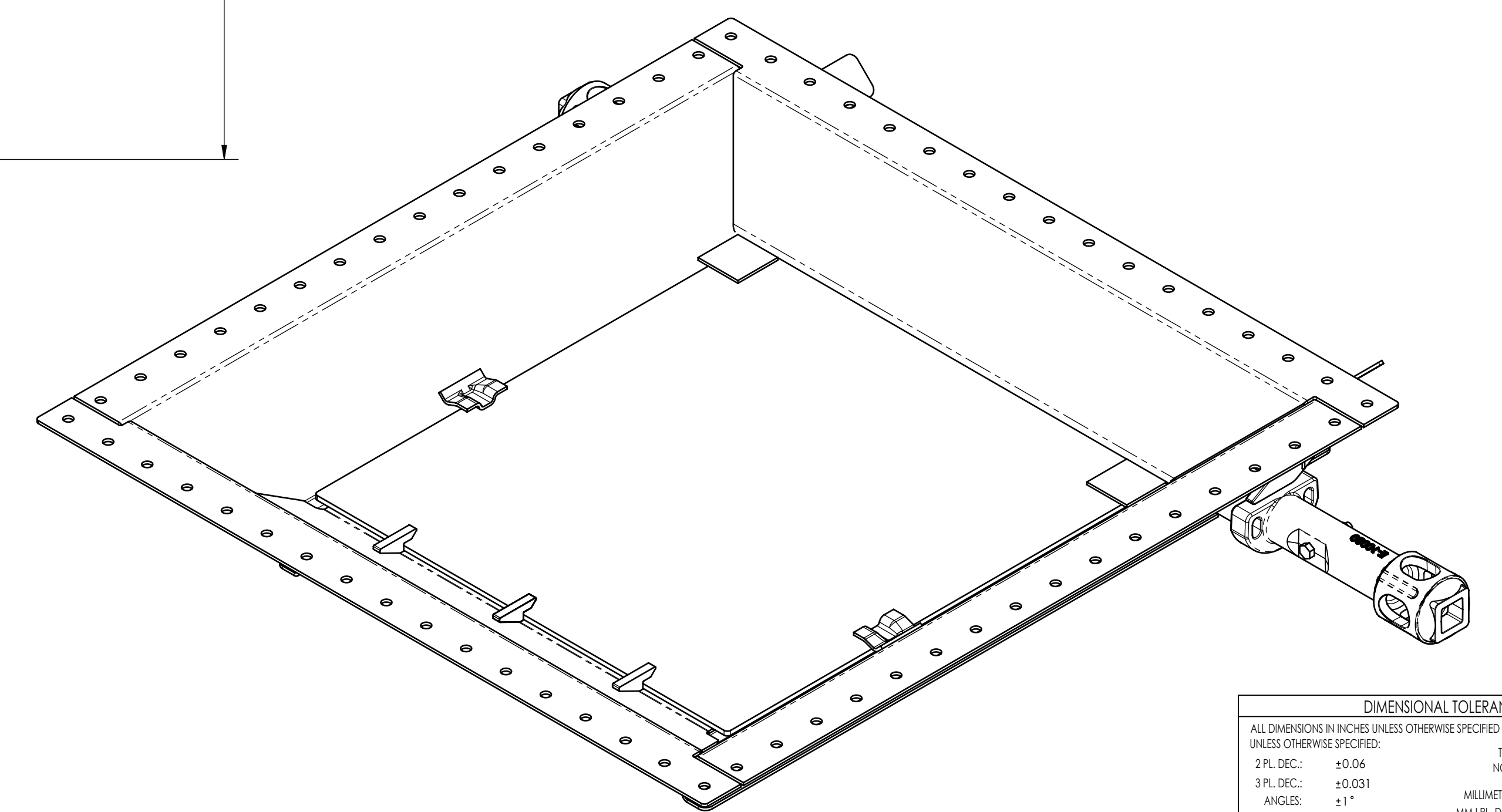


ITEM	QTY	PART NUMBER	DESCRIPTION	DRAWING NUMBER
1	1	MKE10589	24 X 30 BACKLOK FRAME ASSEMBLY	M-139-82
2	1	MKE10515	DOOR ASSEMBLY	M-139-52
3	1	MKE10517	OPERATING SHAFT	M-139-61
4	2	MKE10080	OPERATION HANDLE WITH ACTIVATION CAM	M-85-12
5	2	MKE10129	SLIP PINION, SYMMETRIC	M-85-53
6	2	P30000611	1/2-20 X3 HHCS ZN	P30000611
7	2	P30000615	1/2 - 20 LCKNUT ZN	P30000615



THIS DRAWING IS THE PROPERTY OF MINER ENTERPRISES INC. WHO CLAIMS PROPRIETARY RIGHTS IN THE MATERIAL DISCLOSED. IT IS ISSUED IN CONFIDENCE FOR ENGINEERING INFORMATION ONLY AND MAY NOT BE COPIED OR USED FOR MANUFACTURE OF ANYTHING SHOWN WITHOUT SPECIFIC WRITTEN PERMISSION FROM MINER ENTERPRISES INC. COPYRIGHT MINER ENTERPRISES, INC. 2007.

MINER ENTERPRISES INC.
W. H. MINER DIVISION
 1200 EAST STATE STREET GENEVA, IL 60134

24 X 30 BACKLOK GATE ARRANGEMENT

PART: MKE10588 MATERIAL: SEE LIST
 WEIGHT: 388.08

REFERENCE: 24 X 30 BACKLOK SCALE: 1:6

OR BY: RMC DATE: 4/22/10 OUT BY: BS
 PART/CAT NO. DRAWING NO. REV

MKE10588 M-139-81

DIMENSIONAL TOLERANCES
 ALL DIMENSIONS IN INCHES UNLESS OTHERWISE SPECIFIED
 UNLESS OTHERWISE SPECIFIED: TOLERANCES ARE NOT ACCUMULATIVE
 2 PL. DEC.: ±0.06
 3 PL. DEC.: ±0.031
 ANGLES: ±1°
 MILLIMETERS: MM / PL. DEC.: ±