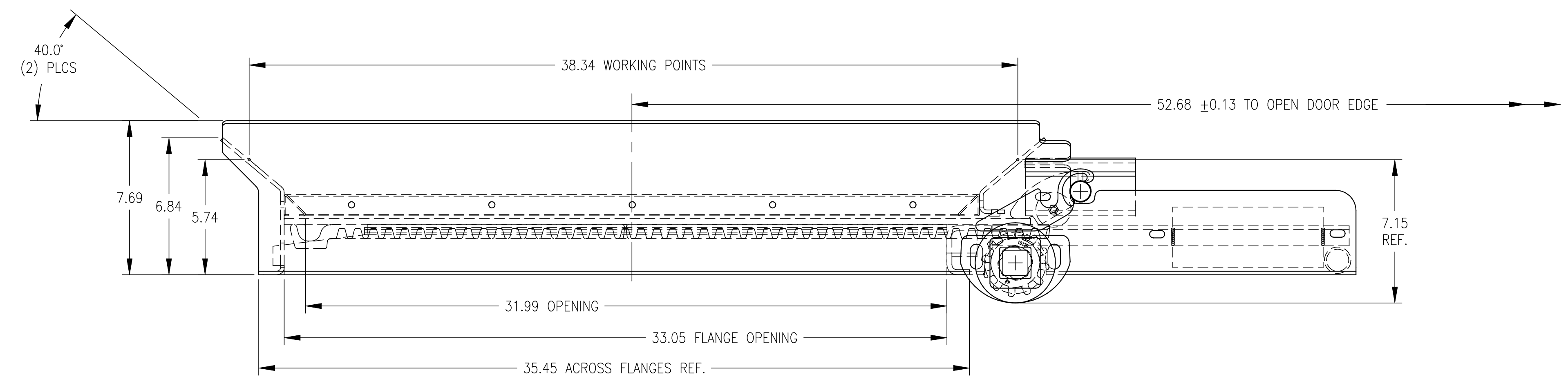
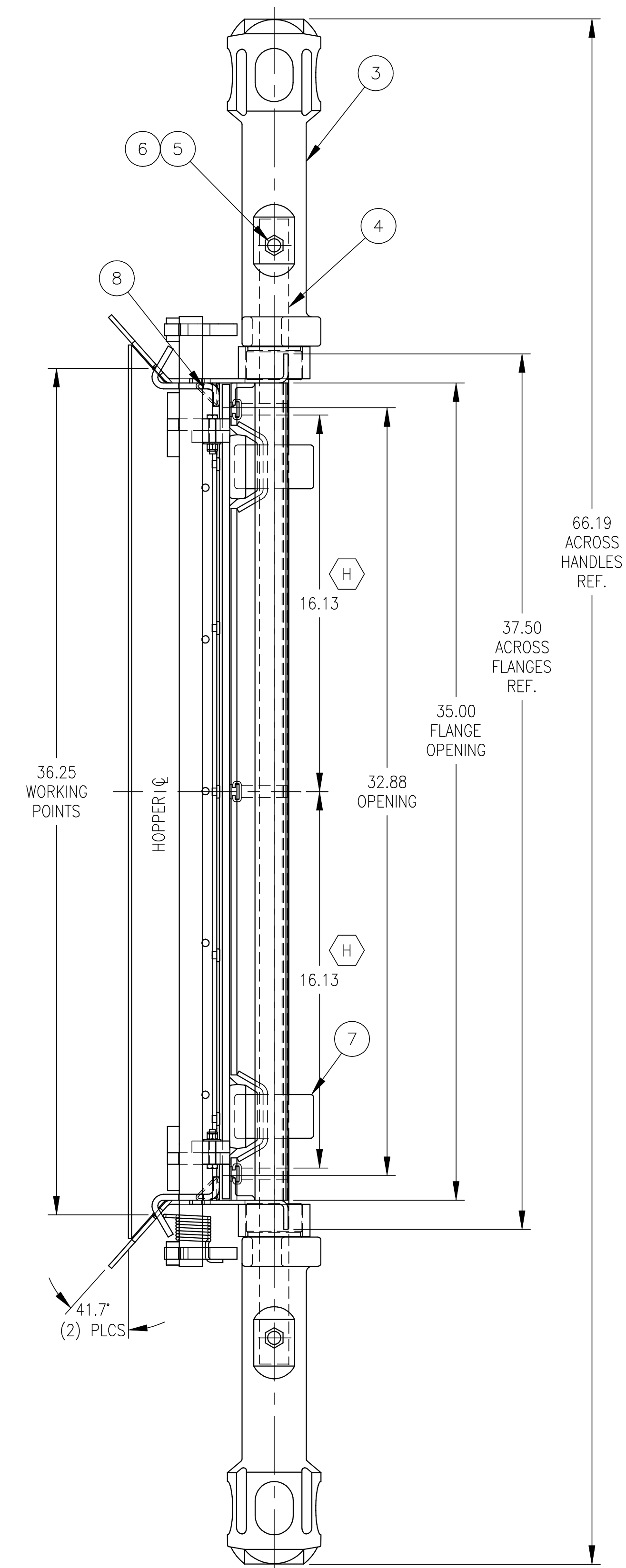
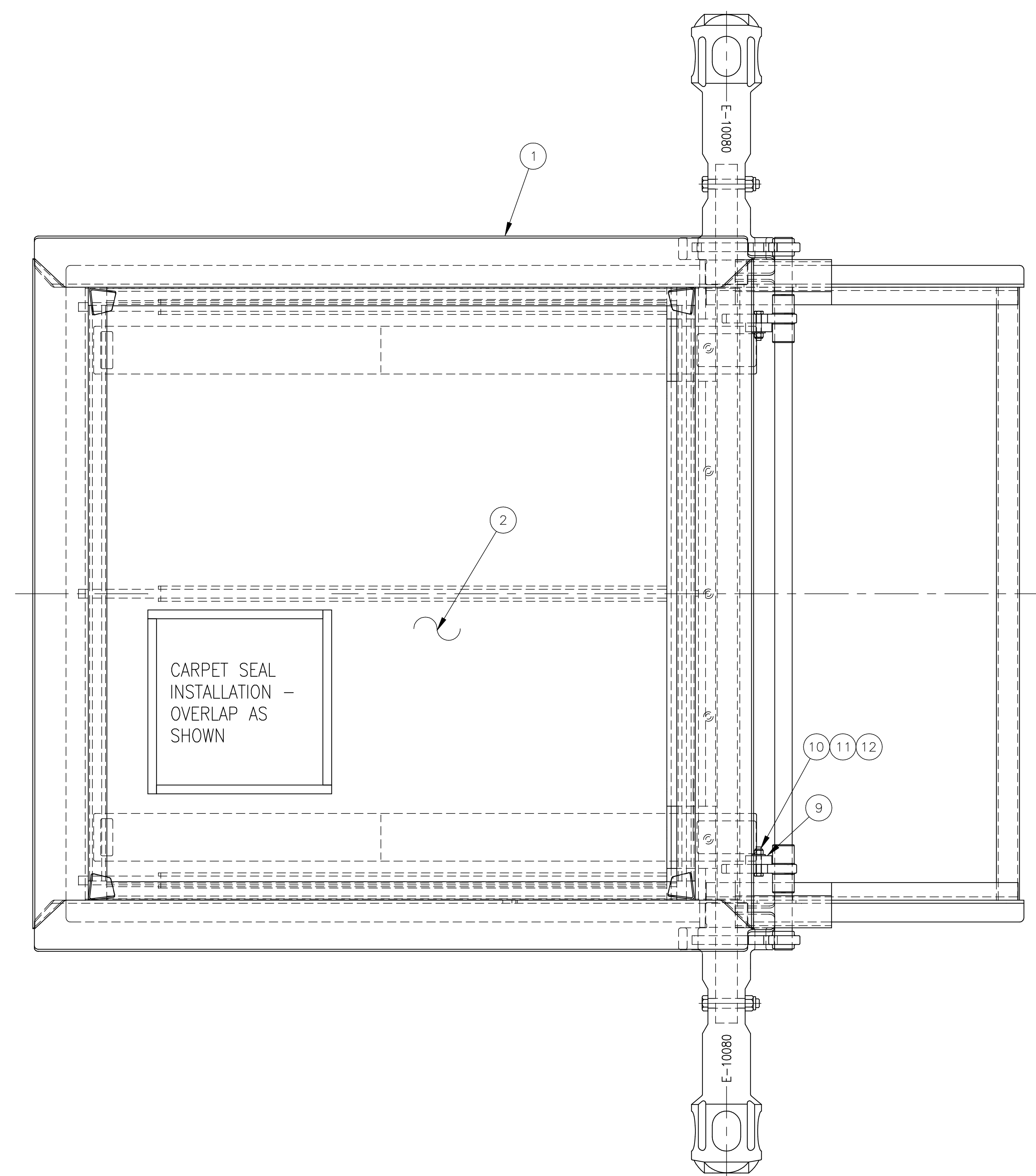


ITEM	QTY	PART NO.	DESCRIPTION	DRAWING NO.
1	1		FRAME ASSEMBLY	M-130-2
2	1	MKE10253	DOOR ASSEMBLY	M-130-20
3	2	MKE10080	OPERATING HANDLE	M-85-12
4	1	MKE10195	OPERATING SHAFT	M-130-19
5	2	P30000611	1/2-20 x 3 HHCS	
6	2	P30000615	1/2-20 LOCKNUT	
7	2	MKE10129	SLIP PINION	M-85-53
8	4	MKE10254	CARPET SEAL	M-85-21
9	2	P10342001	BUMP GUARD	M-85-81
10	2	P30000214	1/4-20 x 1-1/2 HHCS	
11	2	P30000203	1/4-20 LOCKNUT	
12	2	P30000209	1/4 WASHER	

K  
I  
H  
G  
E  
D  
C  
B  
A



THIS DRAWING IS THE PROPERTY OF MINER ENTERPRISES INC. WHO CLAIMS PROPRIETARY RIGHTS IN THE MATERIAL DISCLOSED. IT IS ISSUED IN CONFIDENCE FOR ENGINEERING INFORMATION ONLY AND MAY NOT BE COPIED OR USED FOR MANUFACTURE OF ANYTHING SHOWN WITHOUT SPECIFIC WRITTEN PERMISSION FROM MINER ENTERPRISES INC. COPYRIGHT MINER ENTERPRISES, INC. 1999.

**DIMENSIONAL TOLERANCES**  
 ALL DIMENSIONS IN INCHES UNLESS OTHERWISE SPECIFIED  
 UNLESS OTHERWISE SPECIFIED: TOLERANCES ARE NOT ACCUMULATIVE  
 2 PL. DEC.: ±0.06  
 3 PL. DEC.: ±0.031  
 ANGLES: ±1  
 MILLIMETERS: MM 1 PL. DEC.: ±X.X

**MINER ENTERPRISES INC.**  
 W. H. MINER DIVISION  
 1200 EAST STATE STREET GENEVA, IL 60134  
 TITLE: CANADIAN AutoLOK II ARRANGEMENT

PART: MKE10162 MATERIAL: SEE LIST  
 WEIGHT: SEE LIST

DEVICE: W/O 40" AutoLOK II  
 REFERENCE: SCALE: QUARTER

DR BY: JJD DATE: 19 DEC 97 CH BY: RF  
 PART / CAT NO. DRAWING NO. REV. I  
 MKE10162 M-130-11