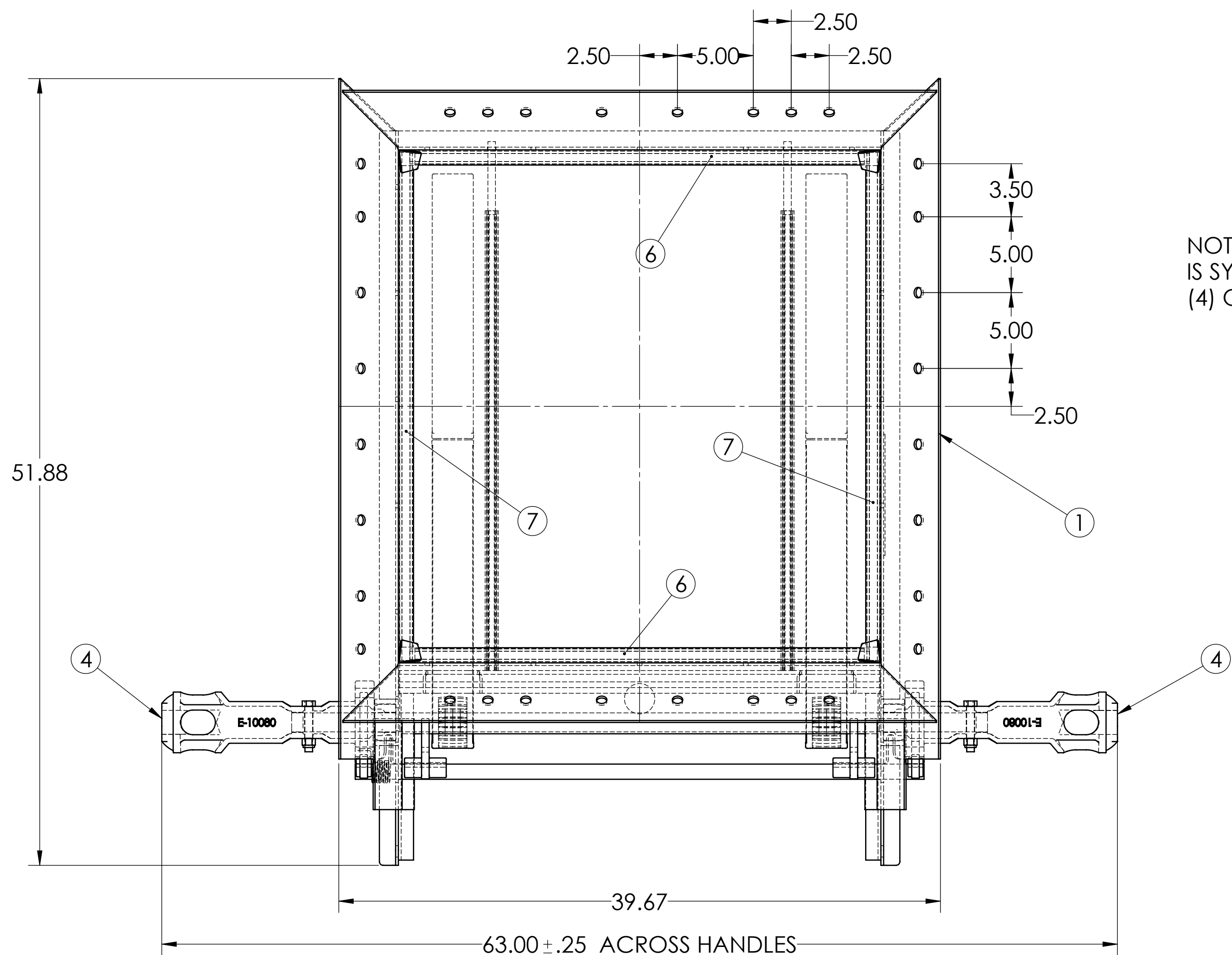
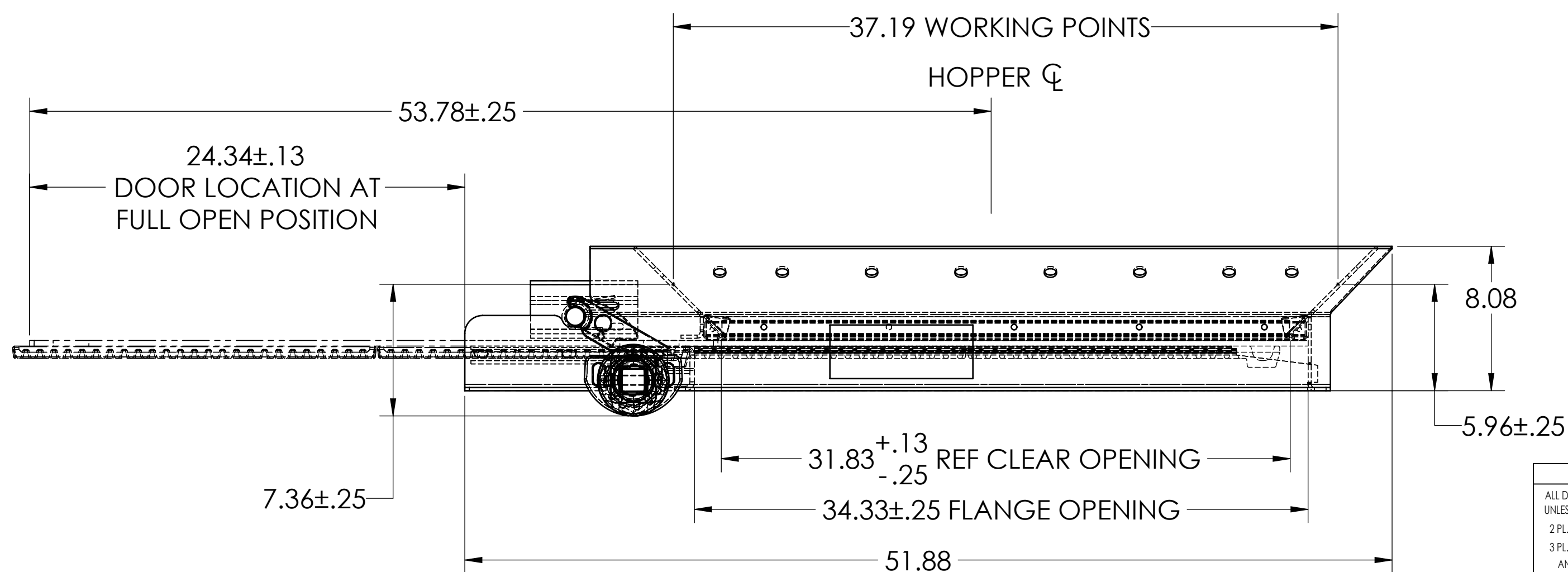
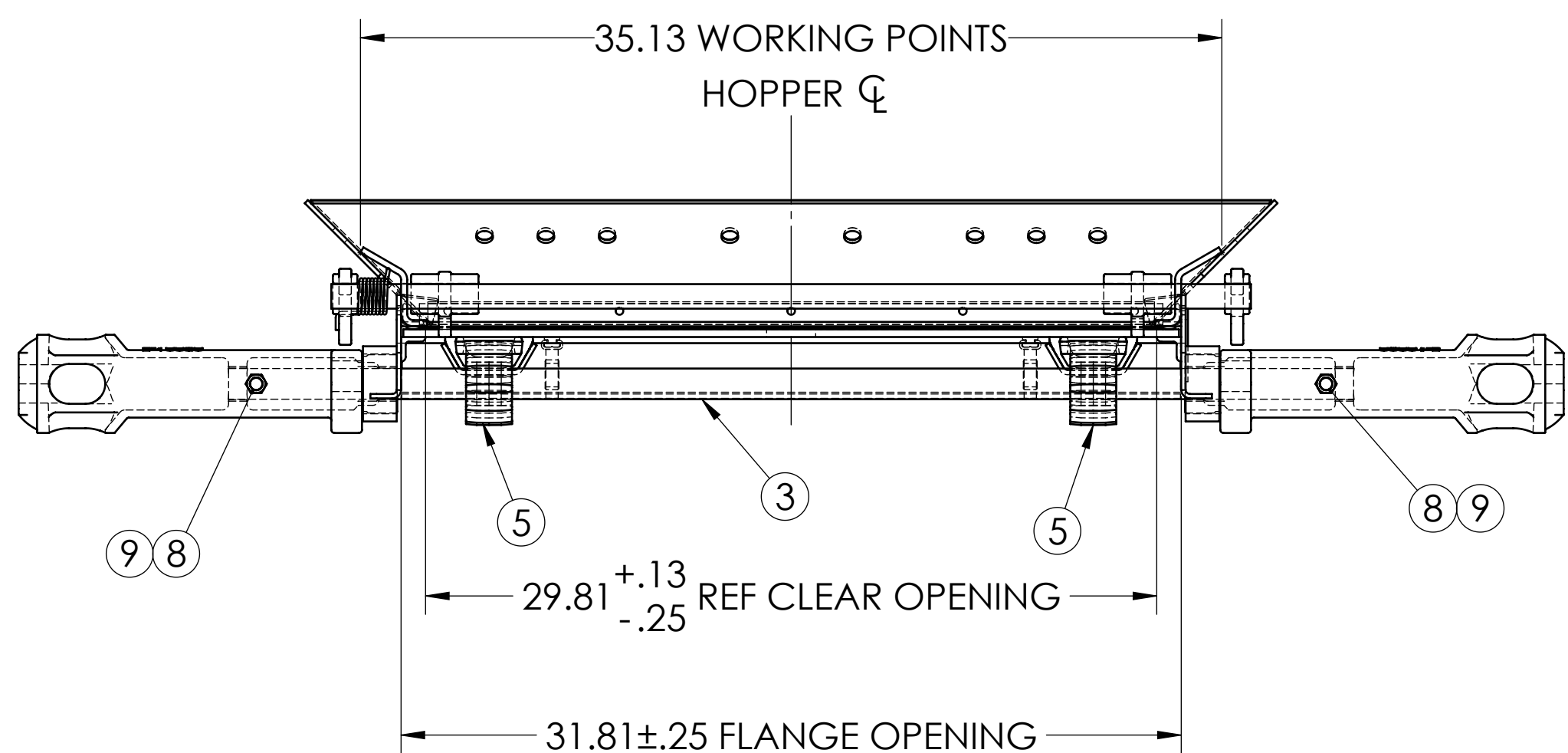
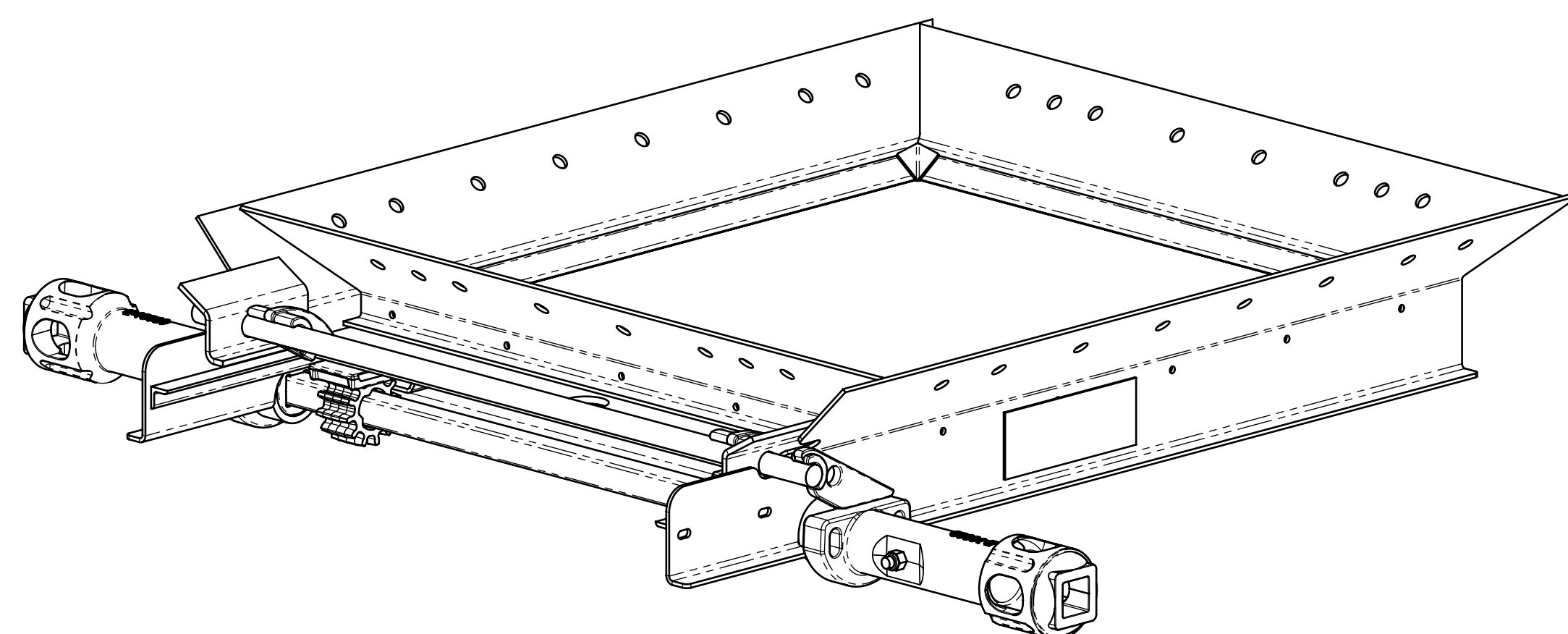


ITEM	QTY	PART NUMBER	DESCRIPTION	DRAWING NUMBER
1	1	MKE10644	FRAME ASSEMBLY	M-108-32
2	1	MKE10157	DOOR ASSEMBLY	M-85-54
3	1	MKE10085	OPERATING SHAFT	25481
4	2	MKE10080	OPERATING HANDLE WITH ACTIVATION CAM	M-85-12
5	2	MKE10129	SLIP PINION, SYMMETRIC	M-85-53
6	2	MKE10066	CARPET SEAL	M-85-21
7	2	MKE10065	CARPET SEAL	M-85-21
8	2	P30000615	1/2-13 LOCKNUT ZN	P30000615
9	2	P30000611	1/2-20 X3 HHCS ZN	P30000611



NOTE: BOLT PATTERN IS SYMMETRICAL IN ALL (4) QUADRANTS.



THIS DRAWING IS THE PROPERTY OF MINER ENTERPRISES INC. WHO CLAIMS PROPRIETARY RIGHTS IN THE MATERIAL DISCLOSED. IT IS ISSUED IN CONFIDENCE FOR ENGINEERING INFORMATION ONLY AND MAY NOT BE COPIED OR USED FOR MANUFACTURE OF ANYTHING SHOWN WITHOUT SPECIFIC WRITTEN PERMISSION FROM MINER ENTERPRISES INC. COPYRIGHT MINER ENTERPRISES, INC. 2007.

DIMENSIONAL TOLERANCES  
ALL DIMENSIONS IN INCHES UNLESS OTHERWISE SPECIFIED  
UNLESS OTHERWISE SPECIFIED:

2 P.L. DEC.	±0.06	TOLERANCES ARE NOT ACCUMULATIVE
3 P.L. DEC.	±0.031	
ANGLES:	±1°	MILLIMETERS: MM (P.L. DEC.): ±

**MINER ENTERPRISES INC.**  
W. H. MINER DIVISION  
1200 EAST STATE STREET GENEVA, IL 60134

TITLE: **30 X 30 AutoLOK II GATE ARRANGEMENT**

PART: MKE10645	MATERIAL: SEE LIST
WEIGHT: 343.12	
REFERENCE: 30 X 30 Bolt-on AutoLOK II	
OR BY: NBE	DATE: 14 DEC 12
DR: NBE	SCALE: 1:6
DESIGNED BY: JED	REV: -

MKE10645 M-108-39