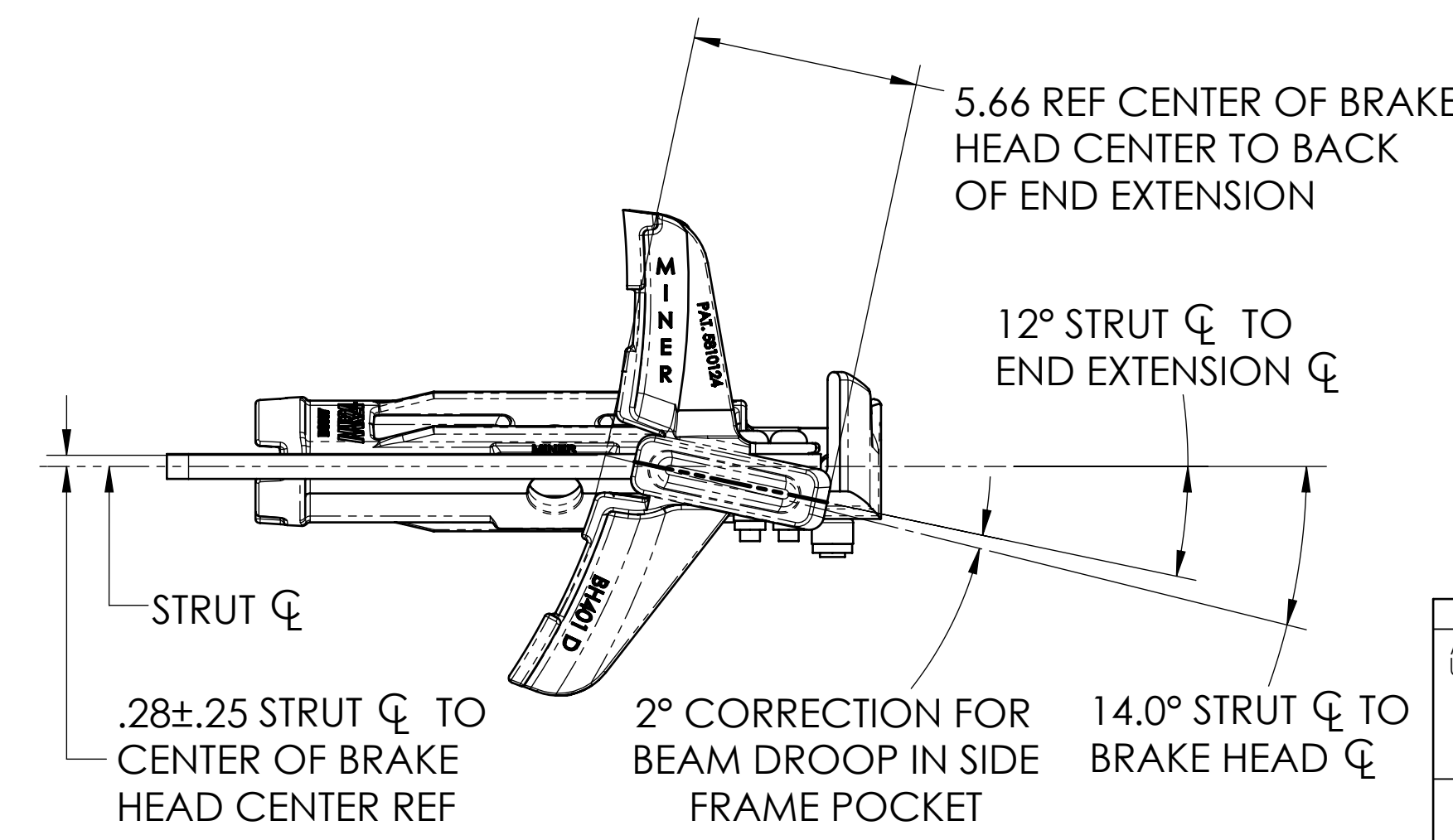
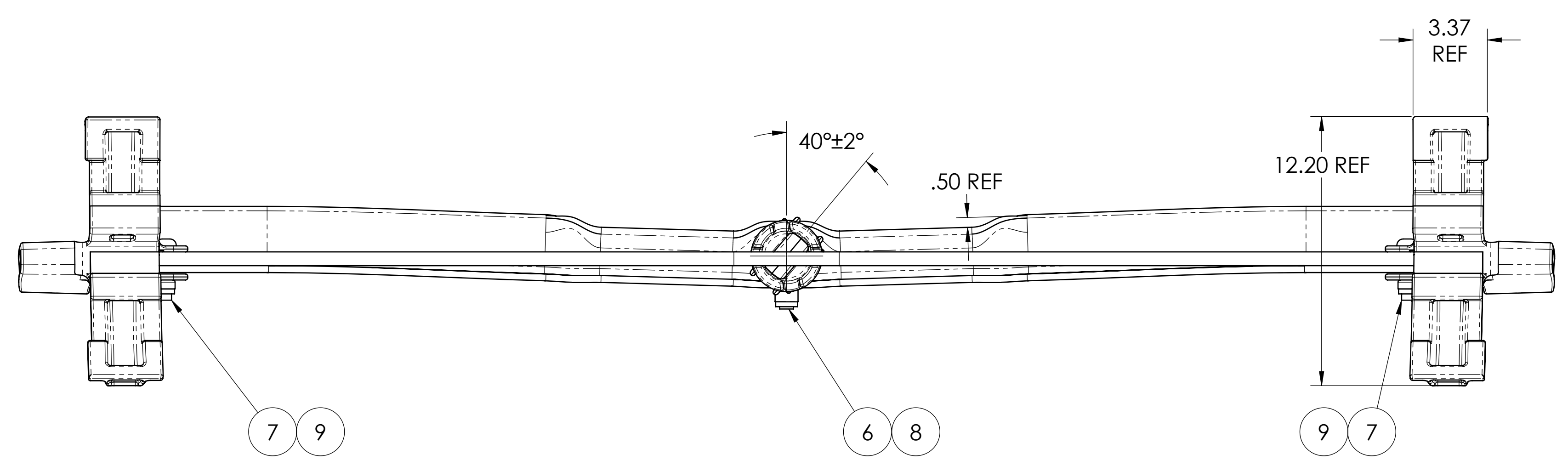
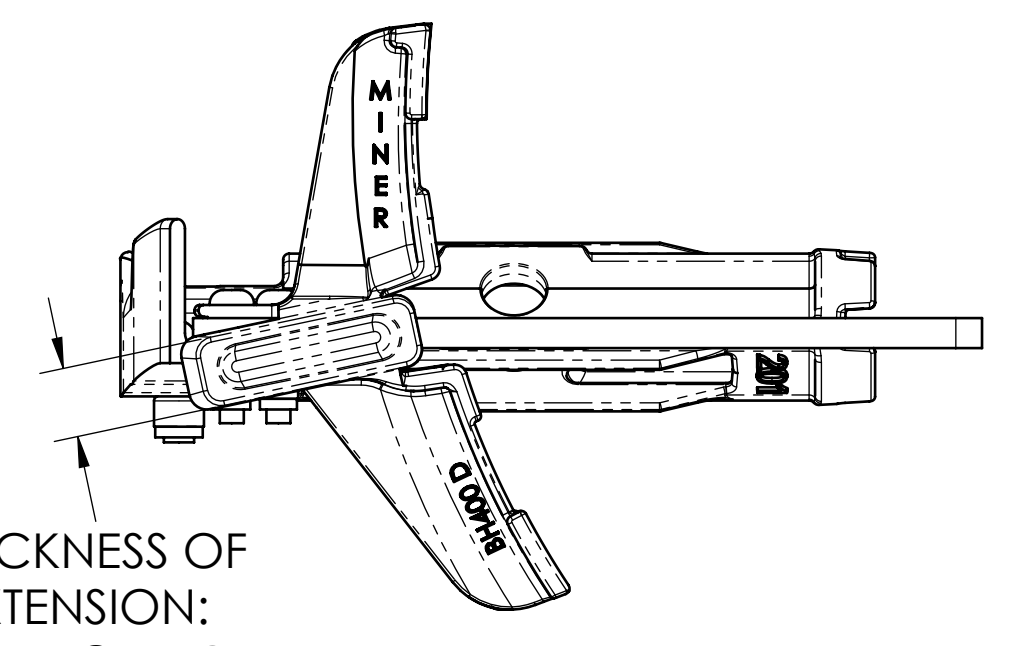
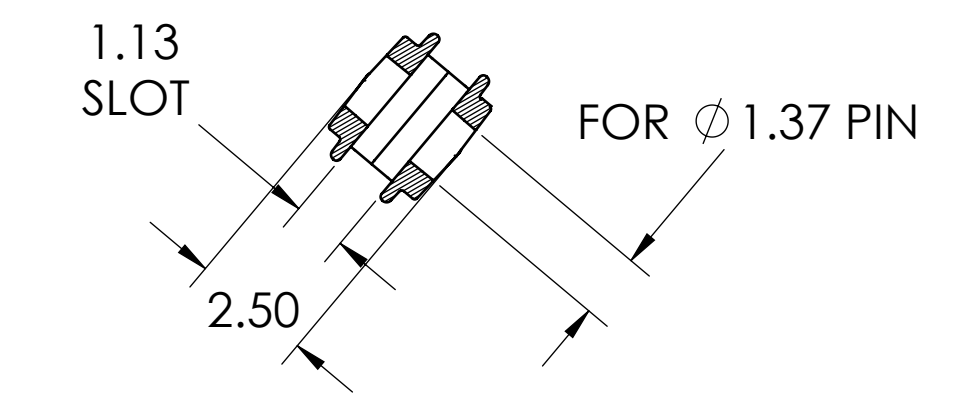
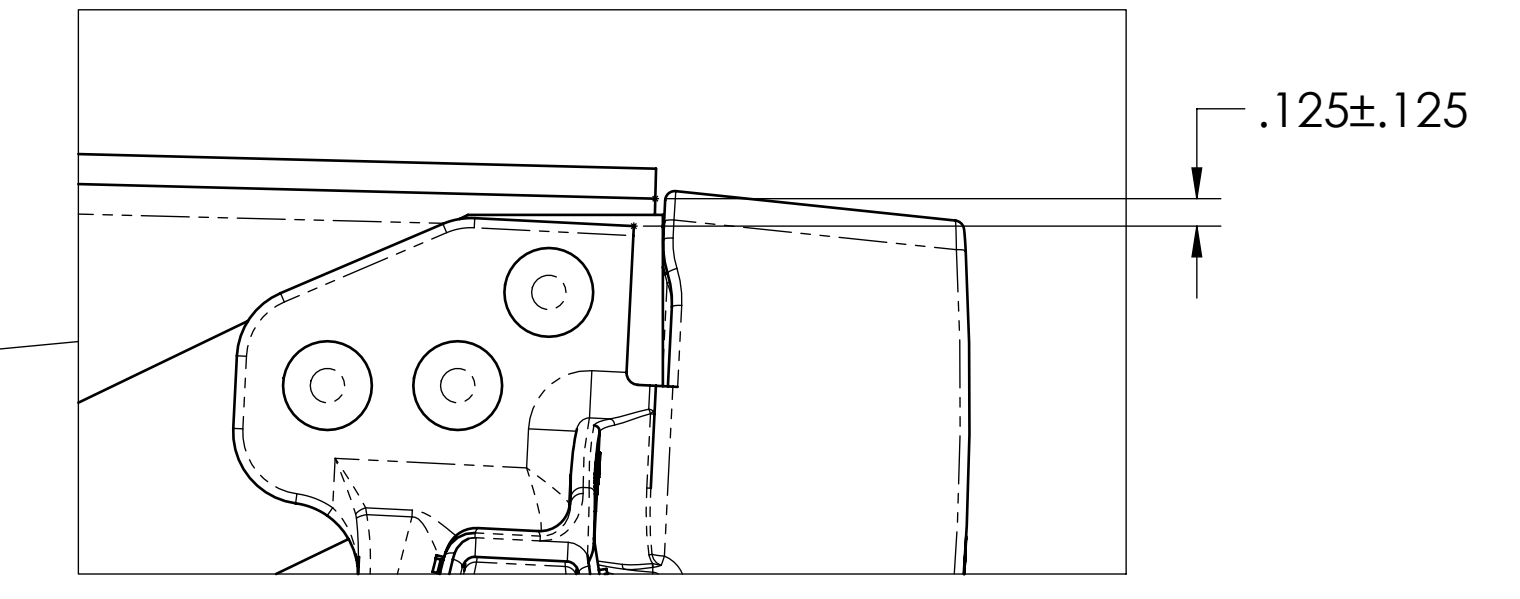
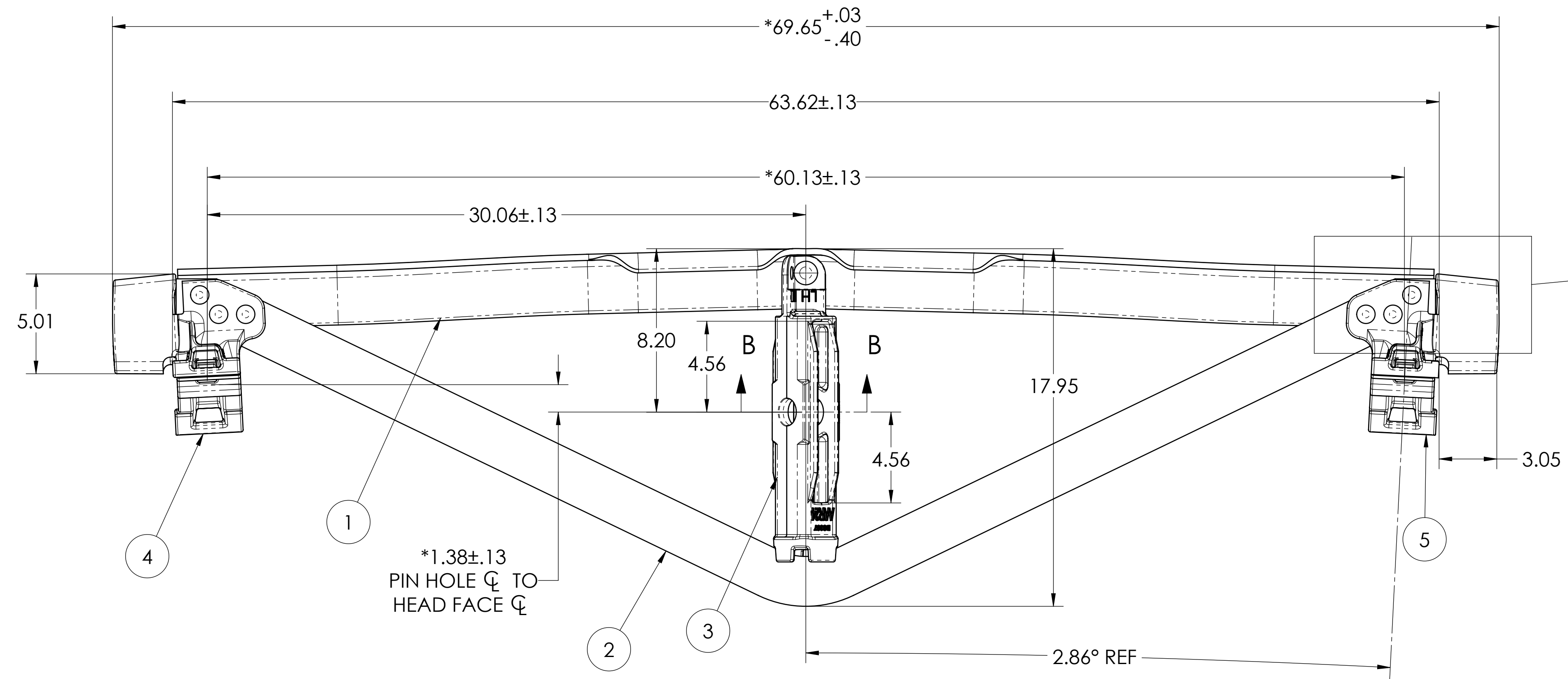
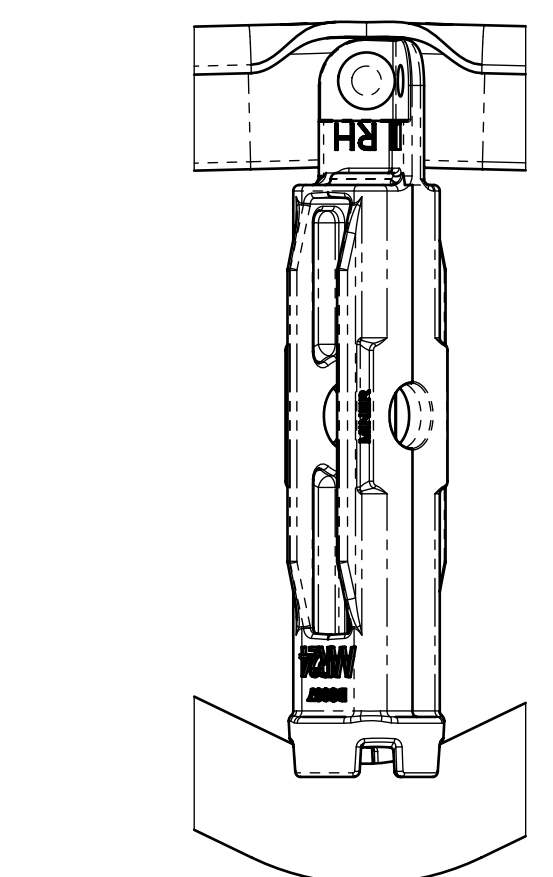
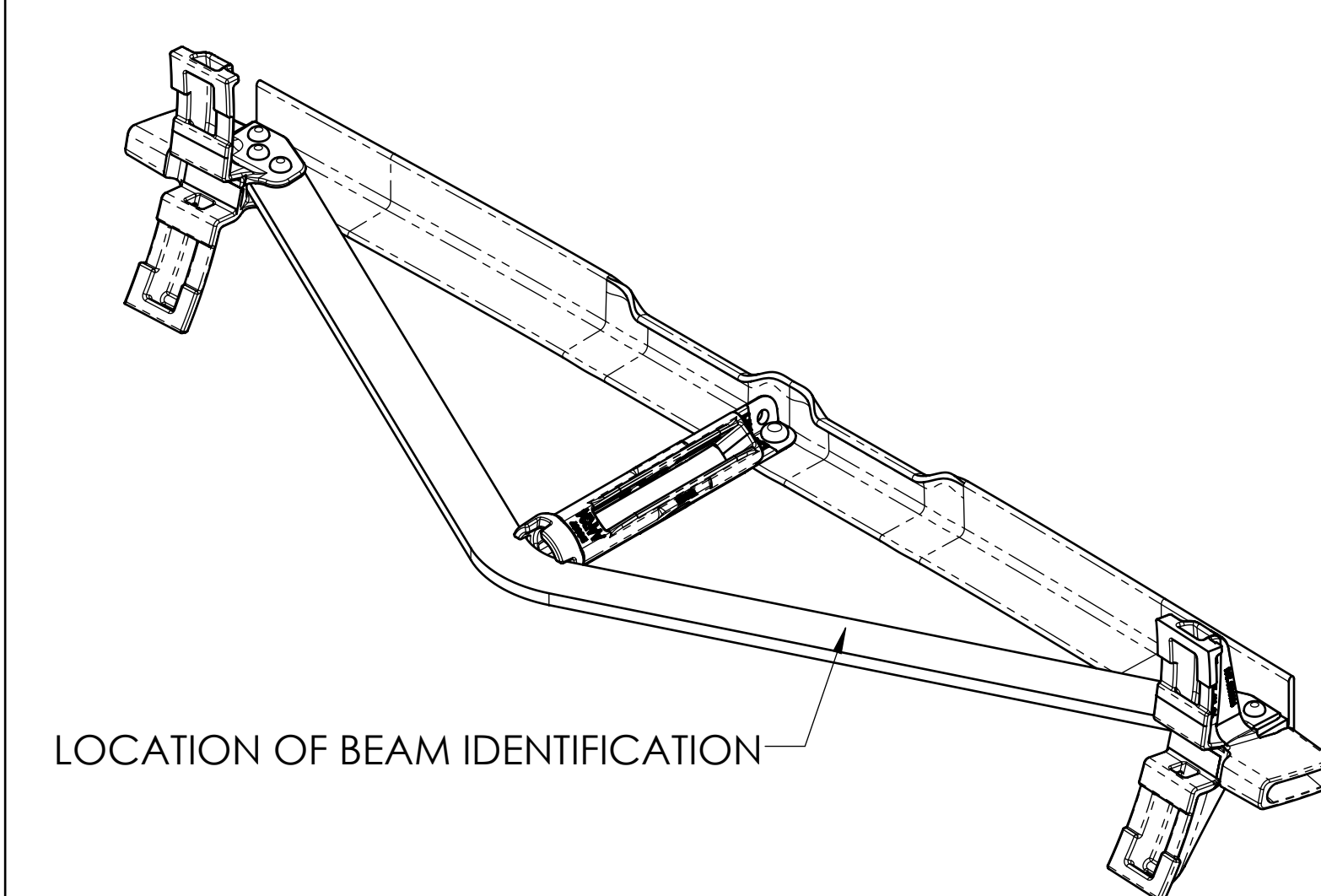


ITEM	QTY	PART NUMBER	DESCRIPTION	DRAWING NUMBER
1	1	B3313	COMPRESSION MEMBER	B3313
2	1	B3236	TENSION BAR	B3236
3	1	BS367	#24 REVERSIBLE STRUT	BS367
4	1	BH400	BRAKE HEAD, COMP SHOE, RH	BH400
5	1	BH401	BRAKE HEAD, COMP SHOE, LH	BH400
6	1	BF2008	PIN, 5/8" x 1.85"	BFC2
7	6	BF1624	PIN, 1/2" X 2.69"	BFC1
8	1	BC0520	5/8" COLLAR	BFC2
9	6	BC0816	1/2" COLLAR	BFC1

REV	DESCRIPTION	BY	CHK'D BY	ECN NO	DATE
A	NEW RELEASE	RMC	JC	N/A	9/19/2017



- NOTES:
- * DENOTES A CRITICAL DIMENSION
 - ASSEMBLY BEAM IS PAINTED PER SPEC E4450
 - FOR AAR REQUIREMENTS, REF SECTION E, S-344
 - BEAM SUPPLIED WITH (3) RIVETS PER BRAKE HEAD
 - MARKING: (CLEARLY LEGIBLE) .38 HIGH X .03 DEEP 090304066 S08
 - 09 = YEAR (2 PLCS)
 - 030 = JULIAN DATE (3 PLCS)
 - 4066 = BEAM COUNT (4 PLCS)
 - S08 = DENOTES SERIES 2008

THIS DRAWING IS THE PROPERTY OF MINER ENTERPRISES INC. WHO CLAIMS PROPRIETARY RIGHTS IN THE MATERIAL DISCLOSED. IT IS ISSUED IN CONFIDENCE FOR ENGINEERING INFORMATION ONLY AND MAY NOT BE COPIED OR USED FOR MANUFACTURE OF ANYTHING SHOWN WITHOUT SPECIFIC WRITTEN PERMISSION FROM MINER ENTERPRISES INC. COPYRIGHT MINER ENTERPRISES, INC. 2004.

MINER ENTERPRISES INC.
W. H. MINER DIVISION
1200 EAST STATE STREET GENEVA, IL 60134

TITLE: #24 UNIT BRAKE BEAM
AAR CERT. NO. 200 FOR COMP. SHOE

PN: BB1024 MATERIAL: SEE BOM
WEIGHT: 99.36

REFERENCE: SCALE: 1:4
MODELED BY: R/MC DATE: 9/19/2017
DRAWING NO. BB1024