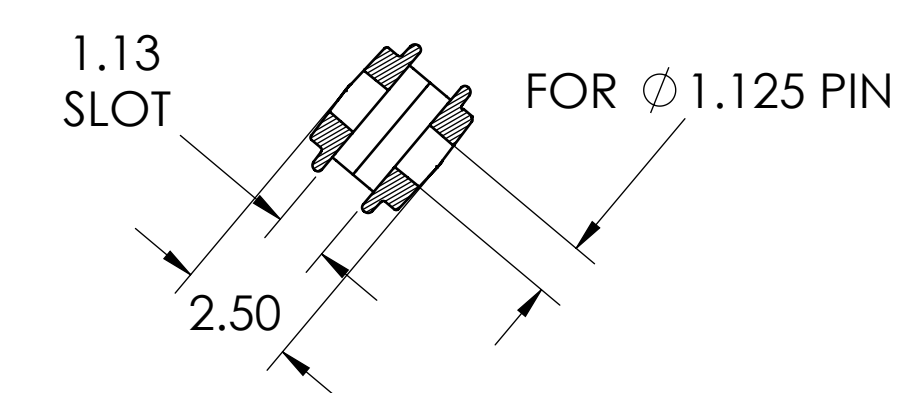
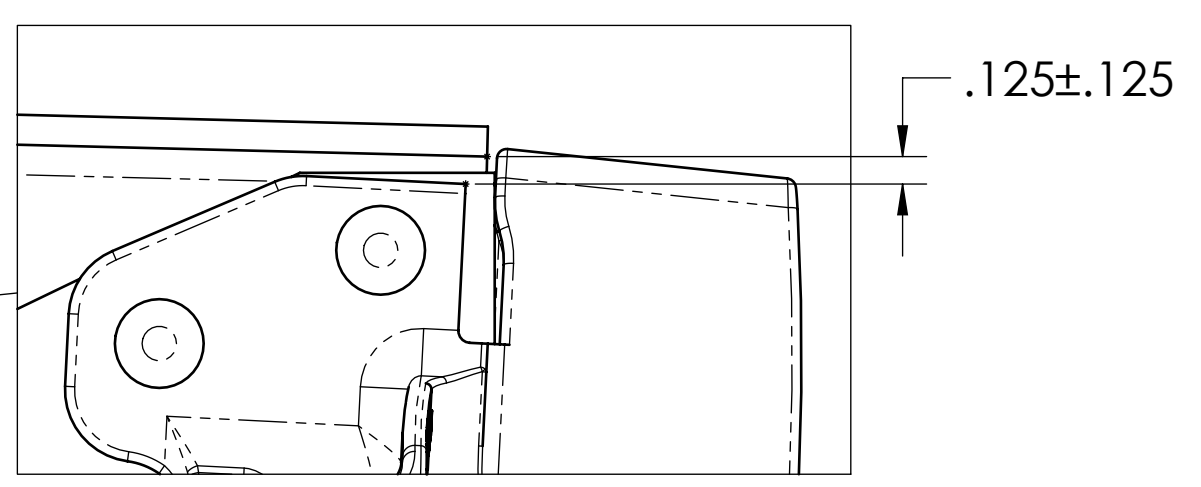
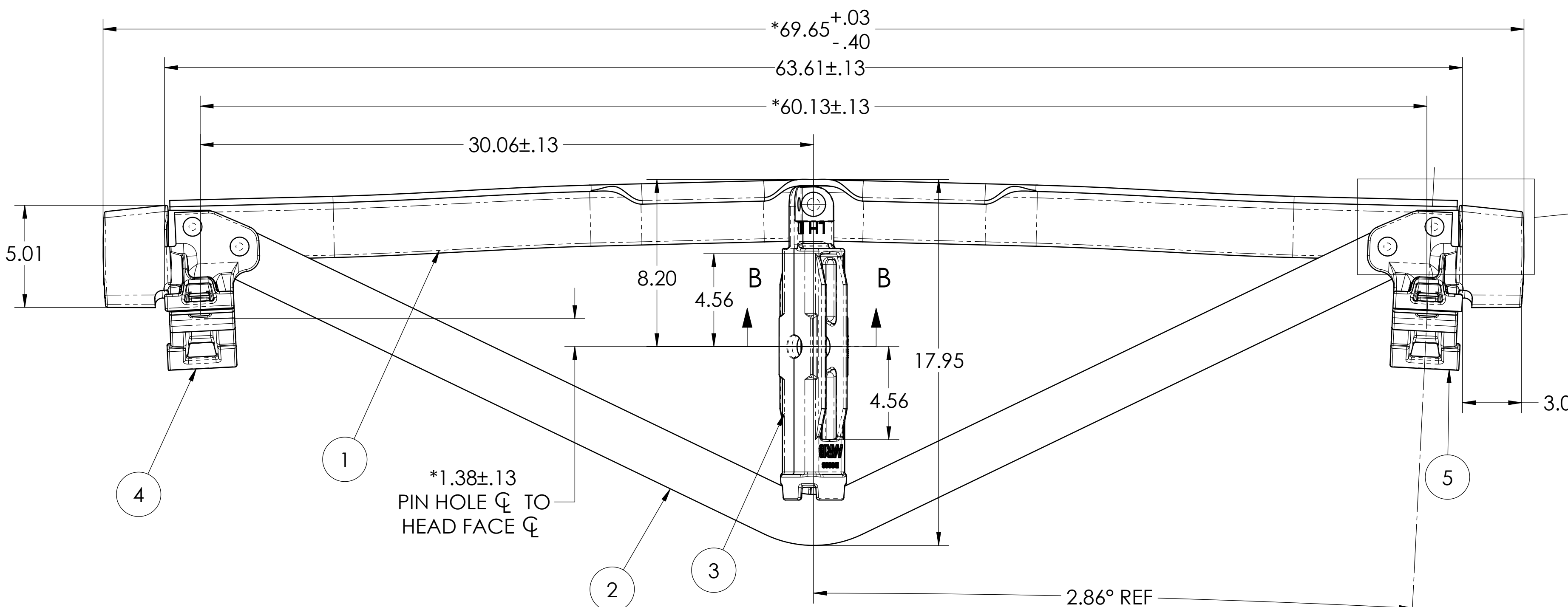


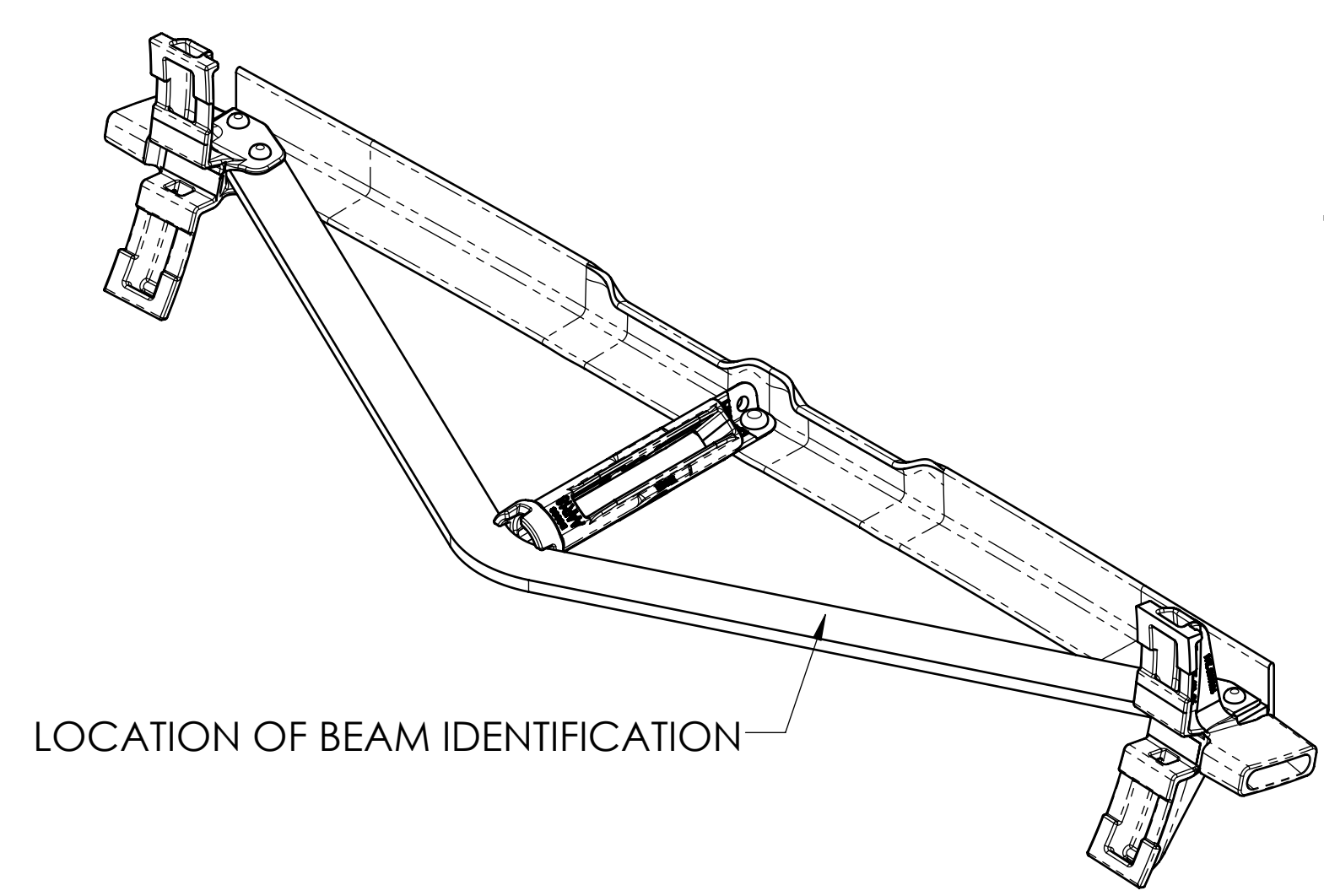
ITEM	QTY	PART NUMBER	DESCRIPTION	DRAWING NUMBER
1	1	B3313	COMPRESSION MEMBER	B3313
2	1	B3236	TENSION BAR	B3236
3	1	BS368	#18 REVERSIBLE STRUT	BS368
4	1	BH400	BRAKE HEAD, COMP SHOE, RH	BH400
5	1	BH401	BRAKE HEAD, COMP SHOE, LH	BH400
6	1	BF2008	PIN, 5/8" x 1.85"	BFC2
7	4	BF1624	PIN, 1/2" X 2.69"	BFC1
8	1	BC0520	5/8" COLLAR	BFC2
9	4	BC0816	1/2" COLLAR	BFC1

REV	DESCRIPTION	BY	CHK'D BY	ECN NO	DATE
A	NEW RELEASE	RMC	JC	N/A	1/5/2018

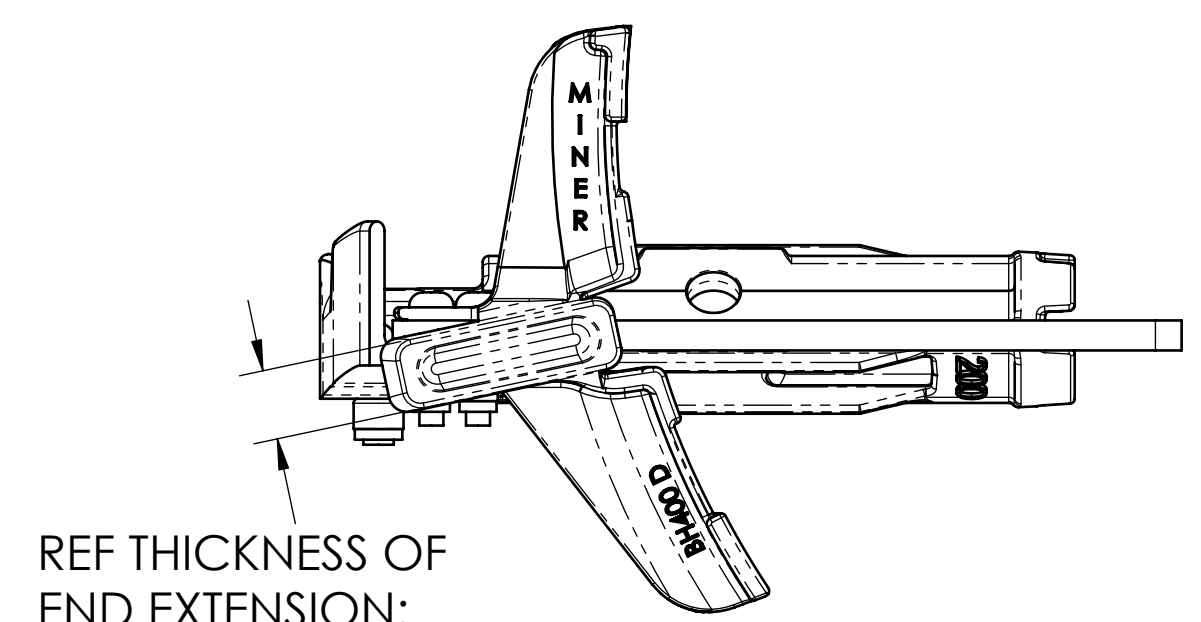


BB1018RH STRUT POSITION

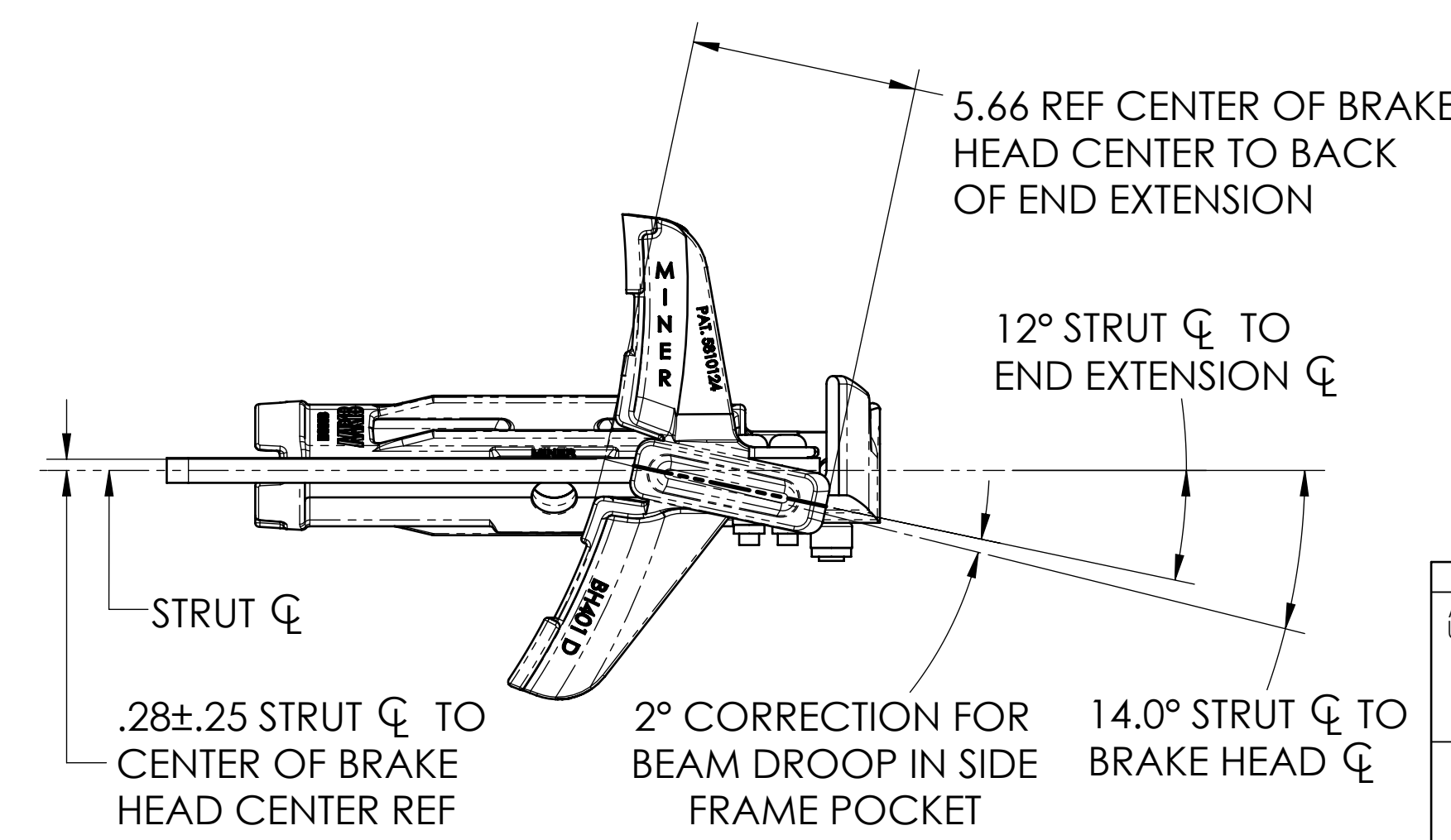
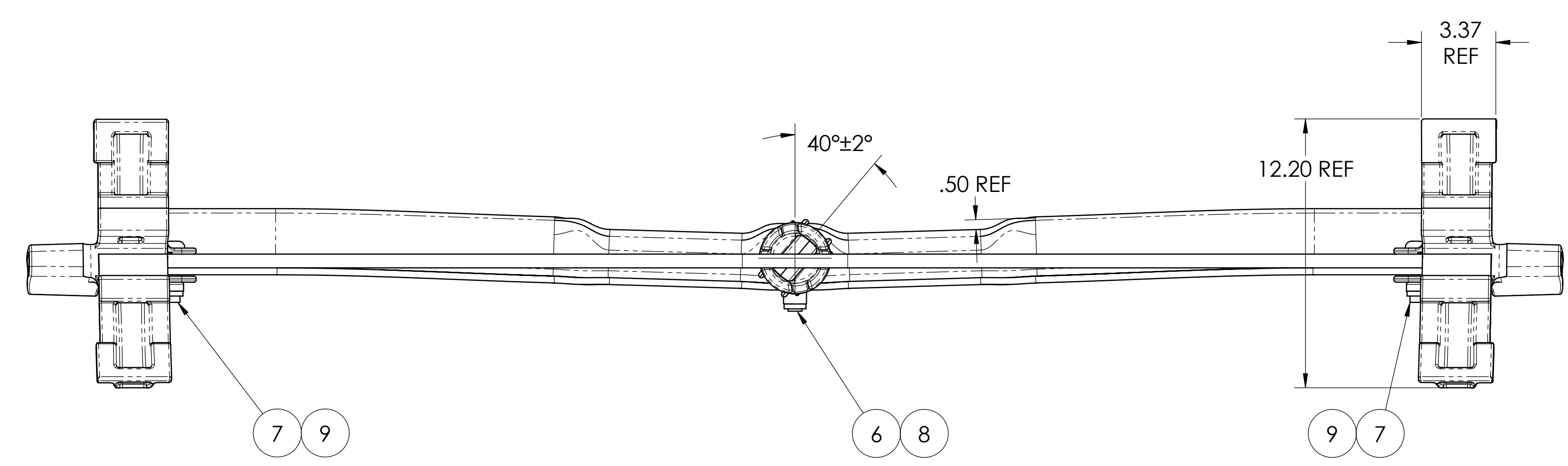
BB1018LH STRUT POSITION



LOCATION OF BEAM IDENTIFICATION



REF THICKNESS OF END EXTENSION:
1.347 MIN @ EDGE
1.411 MIN @ 1.00 FROM EDGE
1.547 MAX @ 3.034 FROM EDGE



- NOTES:
 1. * DENOTES A CRITICAL DIMENSION
 2. ASSEMBLY BEAM IS PAINTED PER SPEC E4450
 3. FOR AAR REQUIREMENTS, REF SECTION E, S-344
 4. BEAM SUPPLIED WITH (2) RIVETS PER BRAKE HEAD
 5. MARKING: (CLEARLY LEGIBLE) .38 HIGH X .03 DEEP
 090304066
 S08
 09 = YEAR (2 PLCS)
 030 = JULIAN DATE (3 PLCS)
 4066 = BEAM COUNT (4 PLCS)
 S08 = DENOTES SERIES 2008

THIS DRAWING IS THE PROPERTY OF MINER ENTERPRISES INC. WHO CLAIMS PROPRIETARY RIGHTS IN THE MATERIAL DISCLOSED. IT IS ISSUED IN CONFIDENCE FOR ENGINEERING INFORMATION ONLY AND MAY NOT BE COPIED OR USED FOR MANUFACTURE OF ANYTHING SHOWN WITHOUT SPECIFIC WRITTEN PERMISSION FROM MINER ENTERPRISES INC. COPYRIGHT MINER ENTERPRISES INC. 2004.

MINER ENTERPRISES INC.
 W. H. MINER DIVISION
 1200 EAST STATE STREET GENEVA, IL 60134

#18 UNIT BRAKE BEAM
 AAR CERT. NO. 201 FOR COMP. SHOE

PIN: BB1018 MATERIAL: SEE BOM
 WEIGHT: 99.42
 DEVICE: BOM

REFERENCE: SCALE: 1:4
 MODELED BY: R/MC, DATE: 1/5/2018
 DRAWING NO.: BB1018