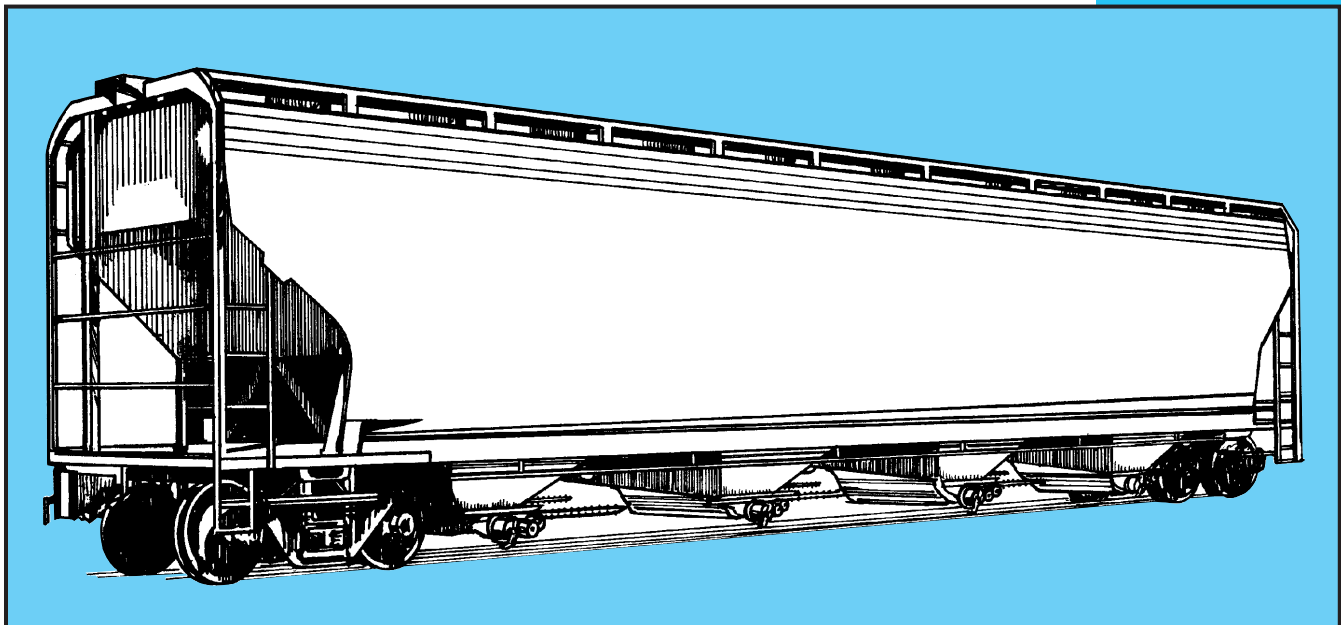
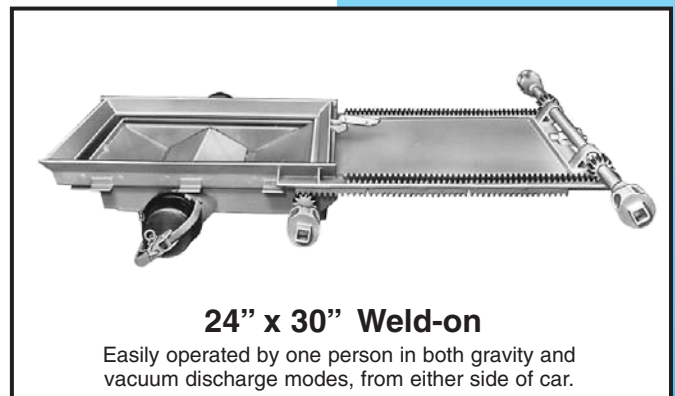
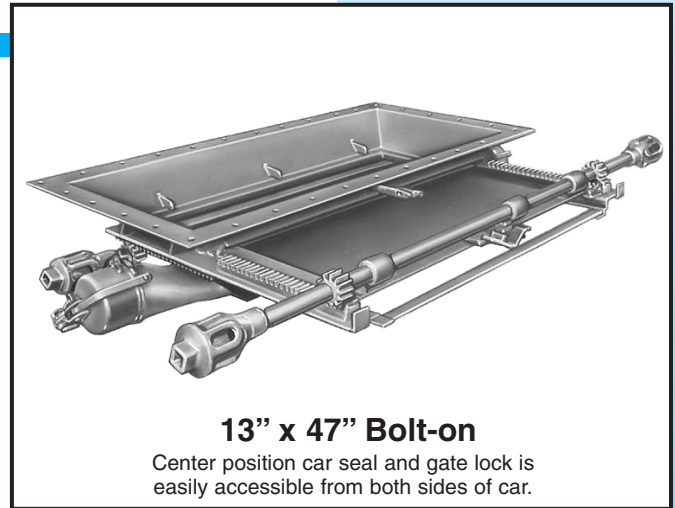


# GRAVAC® Gravity-Vacuum Discharge Gates

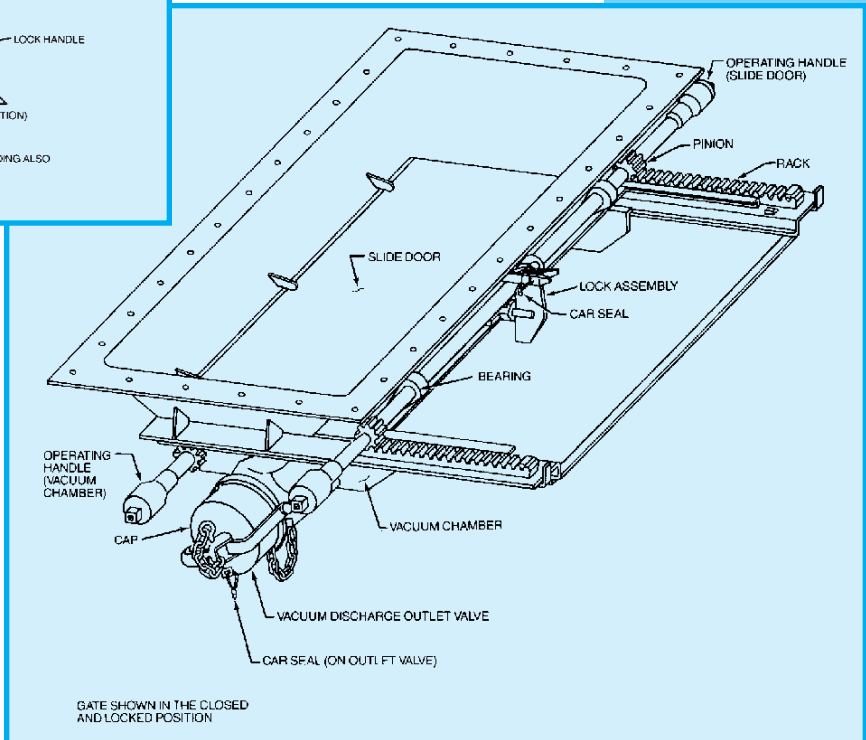
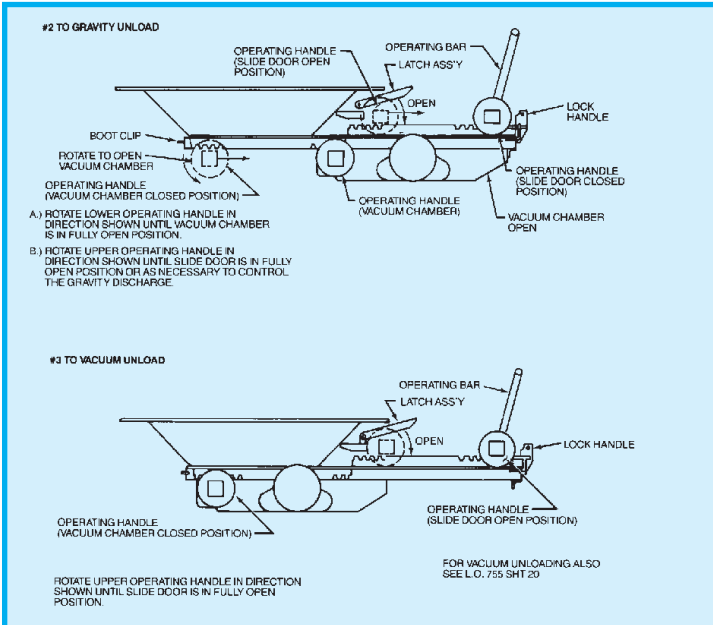
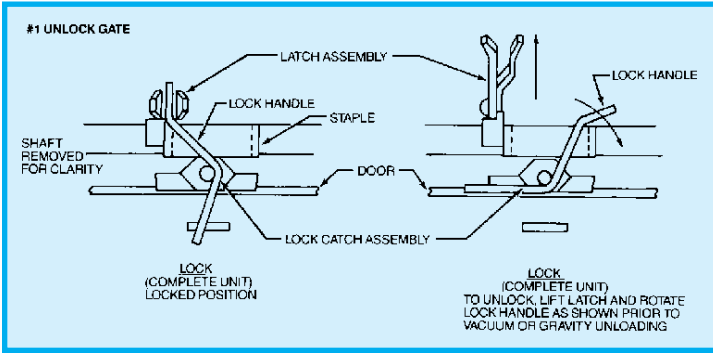
Miner GRAVAC® discharge gates offer controlled gravity or vacuum discharge unloading from hopper cars. The gates are designed to be used with existing wayside unloading systems and are currently in service handling many types of bulk commodities. Current designs are available for bolt-on or welded application.

## Features:

- May be used for either gravity or vacuum discharge.
- Fast, complete gravity discharge through large unobstructed openings.
- Complete vacuum discharge through standard vacuum fittings.
- Easily accessible operating handles, hose connections and lock simplify unloading from either side of car.
- Available bolt-on size is 13" x 47". Weld-on & bolt-on are available in 24" x 30" size.



# GRAVAC® Gravity-Vacuum Discharge Gate



Products Engineered for 21st Century Performance!

## W. H. MINER DIVISION

1200 East State Street, P.O. Box 471, Geneva, IL 60134 • 1-708/232-3000 • FAX 1-708/232-3055  
 P.O. Box 178, Lachine, Quebec, Canada H8S 4A6 • 1-514/637-0445 • FAX 1-514/637-2126  
 3 ch.de la Procession, B-7870 Lens, Belgium • 32/68/454737 • FAX 32/68/454733  
 Rua Jose Benedetti, 18, 09531-000, Sao Caetano do Sul, Brasil • 55/11/453-6431 • FAX 55/11/442-1787

