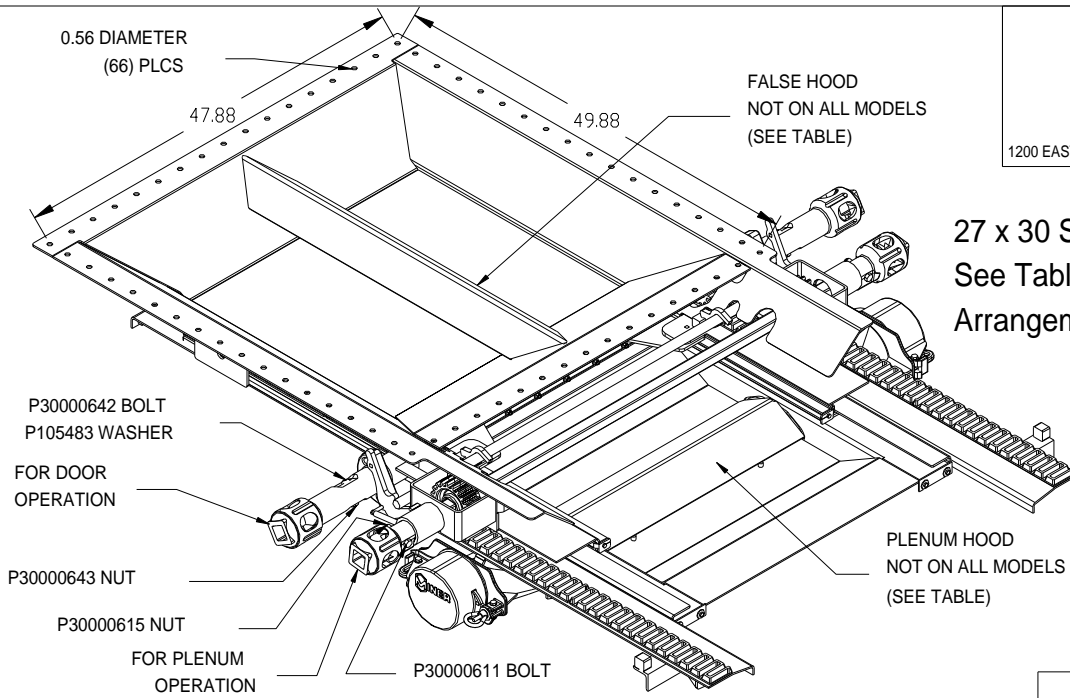




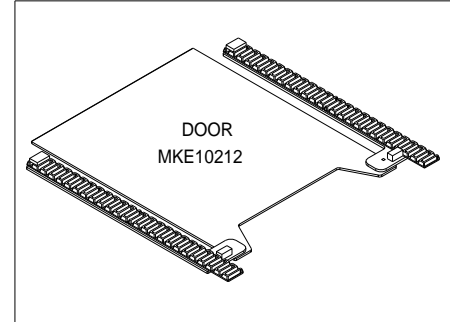
1200 EAST STATE STREET

GENEVA, IL 60134



**27 x 30 SaniLOK**  
See Table For P/N  
Arrangement Dwg. M-140-50

GATE MKE NO.	FRAME MAT'L	PLENUM PART NO.	PLENUM MAT'L	FALSE HOOD	PLENUM HOOD
MKE10275	STN. STL.	MKE10268	STN. STL.	N	N
MKE10276	STN. STL.	MKE10268	STN. STL.	Y	N
MKE10277	STN. STL.	MKE10291	STN. STL.	N	Y
MKE10278	STN. STL.	MKE10291	STN. STL.	Y	Y
MKE10283	H.R.S.	MKE10271	H.R.S.	N	N
MKE10284	H.R.S.	MKE10271	H.R.S.	Y	N
MKE10285	H.R.S.	MKE10292	H.R.S.	N	Y
MKE10286	H.R.S.	MKE10292	H.R.S.	Y	Y



**OPERATING HANDLE MKE10080**  
FOR DOOR (2/GATE)  
USE P30000642 1/2-13 X 2-1/2 BHB,  
P105483 WASHER, P30000643 JAM NUT  
SEE SKETCH FOR INSTALLATION INFO

**OPERATING HANDLE MKE8261 FOR PLENUM (2/GATE)**  
USE P30000611 1/2-20 X 3 BOLT,  
P30000615 1/2-20 STOP NUT

**OPERATING SHAFT**  
FOR DOOR (1/GATE) MKE10216  
- 62-1/4" LONG  
FOR PLENUM (1/GATE)  
MKE10217 - 65-11/16" LONG

**PINION FOR DOOR MKE7029-1**  
(2/GATE)

**PINION FOR PLENUM MKE10208**  
(2/GATE)

**LOCK SPRING P30005014**  
(2/GATE)

**DOOR SUPPORT RUNNER P10267014**  
(1/SaniLOK)  
29-3/16" LONG

**SANITARY RUNNER MKE10247**  
(2/GATE)  
58-1/2" LONG

**HARDWARE REQUIRED FOR BOTTOM RUNNER AND REAR SEAL (8 EACH):**  
P10209003 SLEEVE  
P30000211 SS BOLT  
P30000203 LOCK NUT  
P90000209 WASHER

**BOTTOM RUNNER MKE 10215 (1/GATE)**  
31-1/2" LONG, (8) HOLES

**REAR SEAL - HARDWARE REQUIRED (9 EACH):**  
P10209003 SLEEVE  
P30000205 BOLT  
P30000203 LOCK NUT  
P90000209 WASHER

**REAR SEAL (1/GATE) - MKE10248-1,**  
9 HOLES, 31-21/32" LONG  
**BOTTOM SEAL (1/GATE) - MKE10248-2,**  
8 HOLES, 31-5/8" LONG

**DOOR RUNNER**

PART NUMBER	DESC.	LENGTH	QTY/GATE	QTY P30000151 SCREW/RUNNER
MKE10169-7	SIDE	30-1/32"	2	1
MKE10169-5	FRONT	29-1/2"	1	3
MKE10169-8	REAR	22-7/16"	2	1