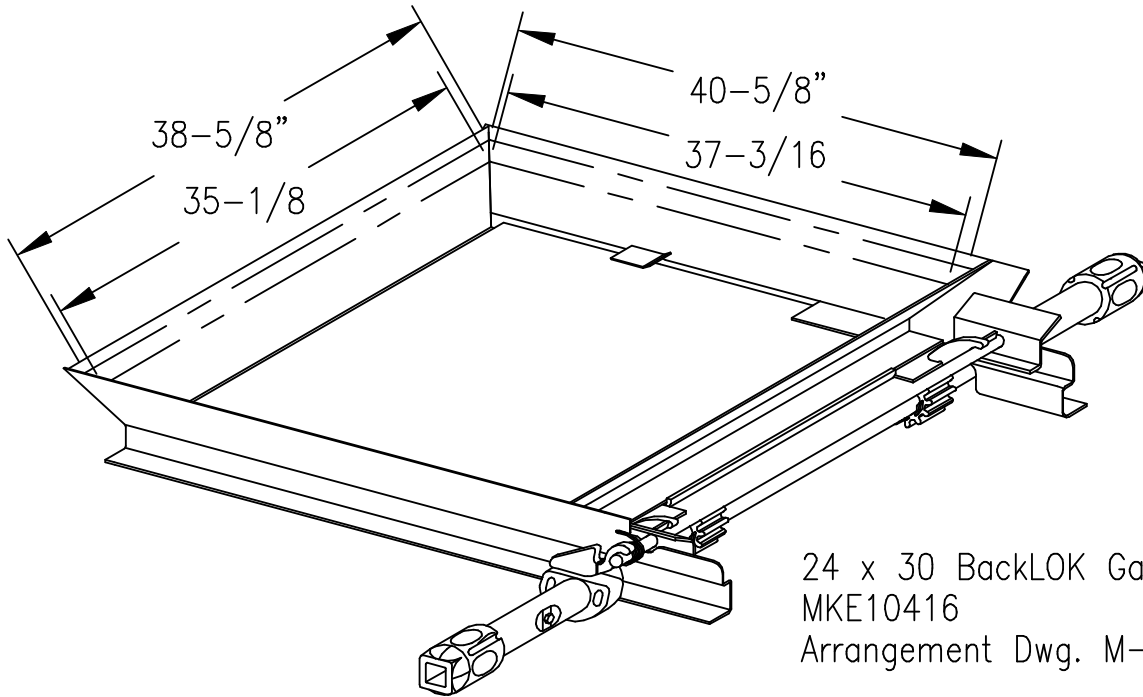




1200 EAST STATE STREET GENEVA, IL 60134



24 x 30 BackLOK Gate  
MKE10416  
Arrangement Dwg. M-139-26

