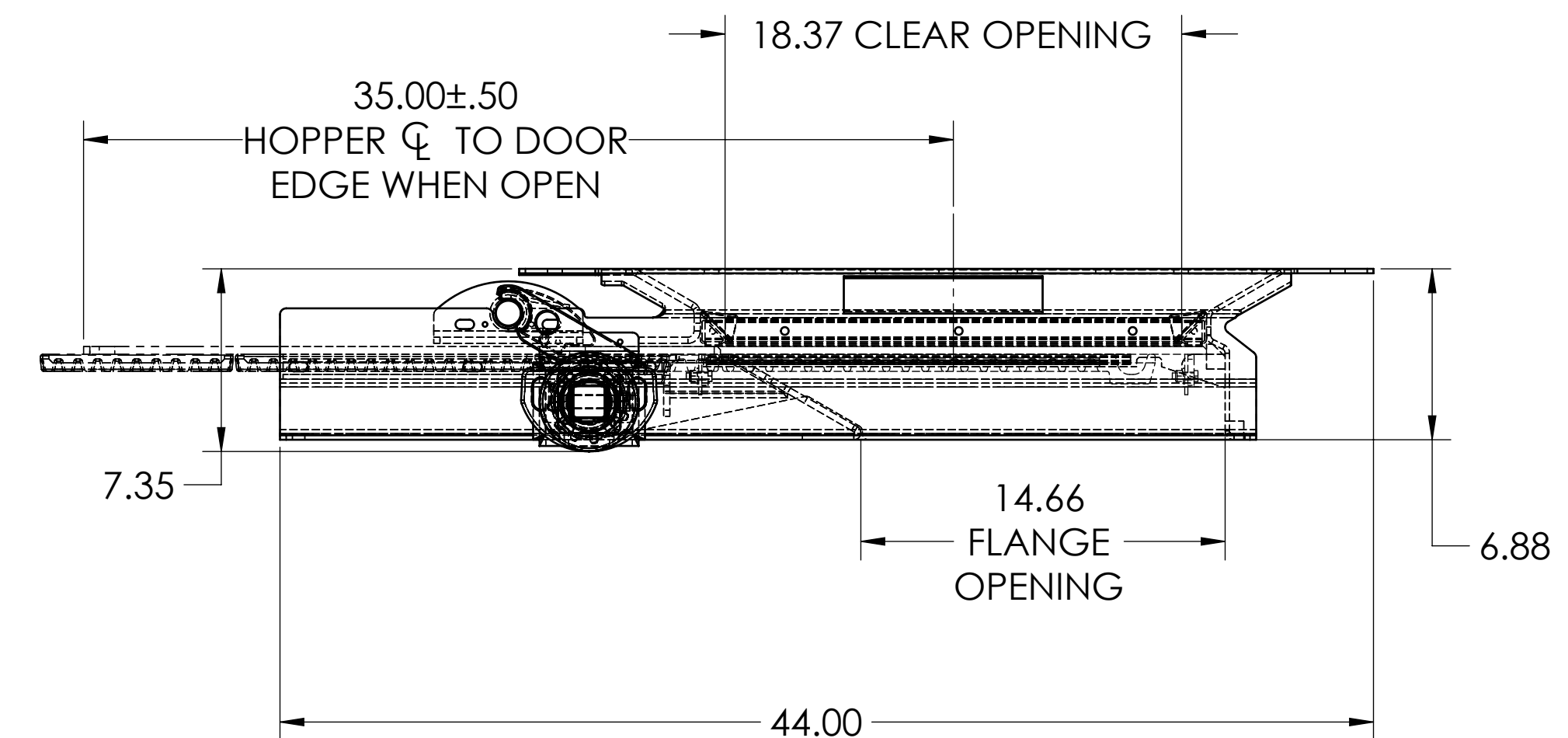
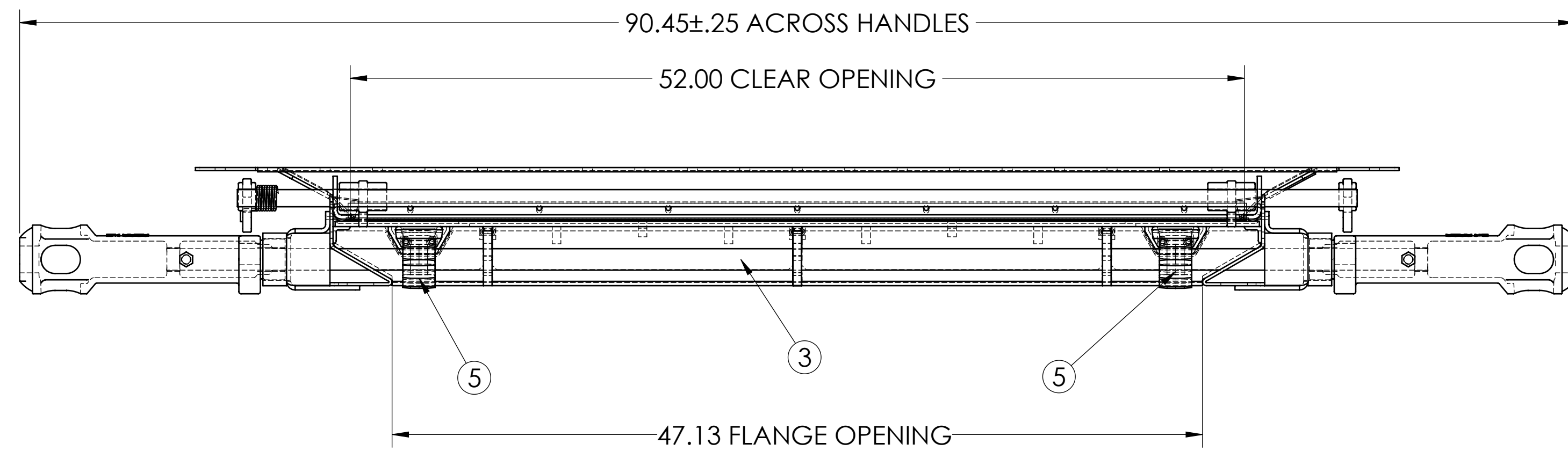
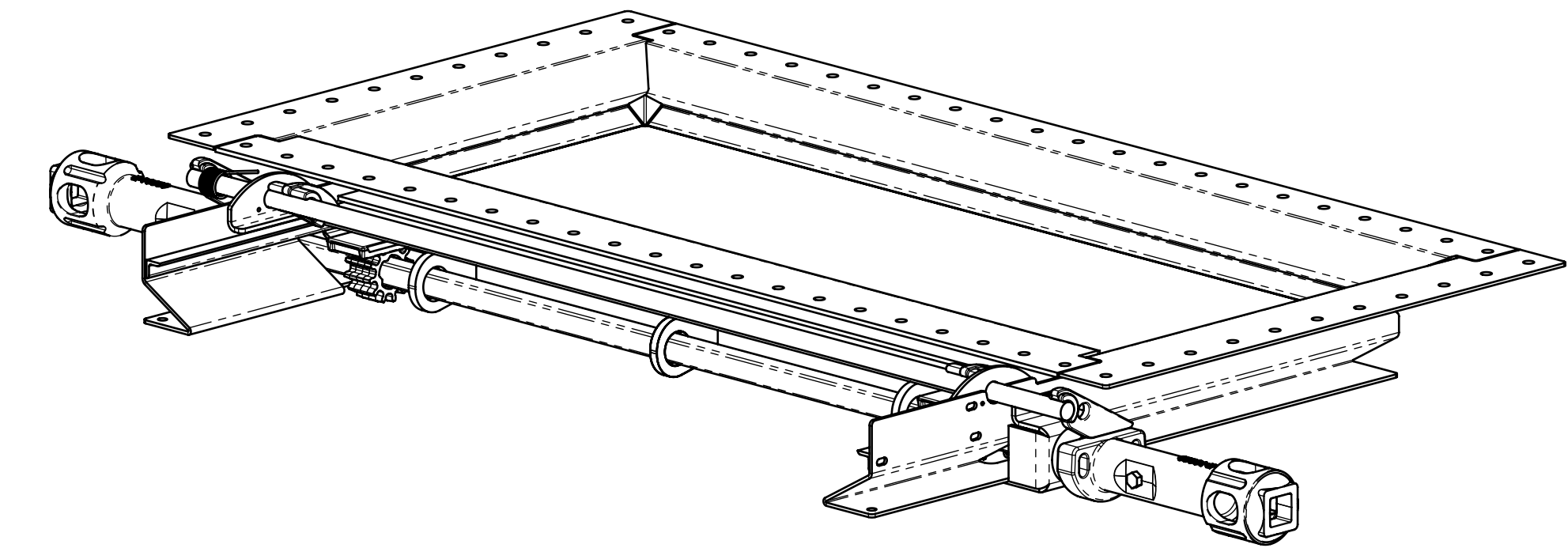


ITEM	QTY	PART NUMBER	DESCRIPTION	DRAWING NUMBER
1	1	MKE10616	FRAME ASSEMBLY	M-176-3
2	1	MKE10618	DOOR ASSEMBLY	M-176-17
3	1	MKE10562	OPERATING SHAFT	25481
4	2	MKE10080	OPERATING HANDLE WITH ACTIVATION CAM	M-85-12
5	2	MKE10129	SLIP PINION, SYMMETRIC	M-85-53
6	2	P30000615	1/2-20 LCKNUT ZN	P30000615
7	2	P30000611	1/2-20 X3 HHCS ZN	P30000611
8	2	MKE10619	CARPET SEAL	M-85-21
9	2	MKE10534	CARPET SEAL	M-85-21
10	3	P10616014	DOOR SUPPORT RUNNER	M-85-39



THIS DRAWING IS THE PROPERTY OF MINER ENTERPRISES INC. WHO CLAIMS PROPRIETARY RIGHTS IN THE MATERIAL DISCLOSED. IT IS ISSUED IN CONFIDENCE FOR ENGINEERING INFORMATION ONLY AND MAY NOT BE COPIED OR USED FOR MANUFACTURE OF ANYTHING SHOWN WITHOUT SPECIFIC WRITTEN PERMISSION FROM MINER ENTERPRISES INC. COPYRIGHT MINER ENTERPRISES, INC. 2007.

DIMENSIONAL TOLERANCES
 ALL DIMENSIONS IN INCHES UNLESS OTHERWISE SPECIFIED
 UNLESS OTHERWISE SPECIFIED: TOLERANCES ARE NOT ACCUMULATIVE

2 P.L. DEC.	±0.06	MILLIMETERS:	±1°
3 P.L. DEC.	±0.031	MILLIMETERS:	±1°
ANGLES:	±1°	MILLIMETERS:	±1°

MINER ENTERPRISES INC.
W. H. MINER DIVISION
 1200 EAST STATE STREET GENEVA, IL 60134

TITLE: **15 X 48 AutoLOK II 64 HOLE GATE ARRANGEMENT**

PART: MKE10615	MATERIAL: SEE LIST
WEIGHT: 506.13	REV: LIST

SCALE: 1:6

OR BY: RMC	DATE: 3/8/11	OUT BY: BS	REV: 1
PART/CAT NO: MKE10615	DRAWING NO: M-176-2	REV: 1	